



August 2017 - Preliminary

# System pro *E* power 185 mm Busbar System



# System pro *E* power

## Technical catalogue

[Our product range](#)

---

1

[Empty enclosures for free construction](#)

---

2

[185mm Busbar System](#)

---

3

[Technical details and certifications](#)

---

4

[Overall dimensions](#)

---

5

[List of codes](#)

---

6

# ABB SACE Division - Quality, ethics and environmental certification

ABB SACE, a division of ABB S.p.A., has always been at the forefront when it comes to dedicating consistent resources for the purpose of attaining its sustainability and environmental protection goals.

A policy confirmed by acquisition of ISO 9001 quality certification and ISO 14001 environmental management system certification by all the corporate plants.

Thanks to use of analysis tools like LCA (Life Cycle Analysis), assessment and improvement of the environmental performance of the entire life cycle of the products is included in ABB SACE's design engineering work right from the very start.

This guarantees technical and energy performance optimization during operation and control, as well as reduction of environmental impact during the manufacturing phase and end of life management process.

The Garbagnate Monastero plant has also obtained certification for its QAS (Quality, Environment, Safety) integrated management system.

All the corporate divisions have always actively pursued policies for environmental management improvement implemented by rationalizing the use of raw materials and energy, preventing pollution, monitoring air and water quality, reducing noise emissions and the waste created by the production processes as well as conducting regular environmental audits with the major suppliers.

Each of these goals and tasks is the result of a farsighted decision to adopt environmental policies and methods for reducing environmental impact. Already a leading enterprise as to the quality of its products, ABB SACE is also a pacesetter in Italy with regard to these issues.



## ABB: Energy efficiency for sustainable progress



ABB is actively committed to promoting environmental protection and sustainable development by providing products and solutions that help to improve the energy efficiency and productivity of the installations while reducing CO<sub>2</sub> emissions.

# The ABB SACE website: makes your work easier, develops your business

- **News**, to keep you up to date about the latest electrical engineering innovations
- **Products**, just a simple click for an overview of ABB SACE products 24 hours a day
- **Catalogues** that you can consult, download and request
- **Technical documentation** where you can check circuit diagrams, dimensional drawings, instruction sheets, installation manuals
- **Work tools** for designing in complete safety
- **Training**, where you can consult the training catalogue and register for courses online

## Technical software Calculation and cost estimate tools e-Design: everyone has a project, ABB has a solution to make it happen.

e-Design is the integrated suite, designed and created by ABB, dedicated to designers, technicians, engineering companies, panel builders and wholesalers. Thanks to e-Design you can design an electrical installation and optimize the processing time, while benefiting from a product portfolio you can use in synergy and with intuitive and simple functions.

We would like to highlight several positive features:

### FLEXIBILITY

- Interconnected modules accessible during all stages of the project
- Projects that can be reused by all the professionals involved in their creation

### VELOCITY

- You can save, duplicate and edit product and switchboard configurations
- Calculation of single-line diagrams and automatic dimensioning of conductors and control and protection equipment

### SIMPLICITY

- You can draw single-line diagrams using predefined macros
- User-friendly configuration of switchboards and products

The software comprises four different modules for different purposes. One single process includes electrical system dimensioning, selection and configuration of products and accessories, switchboard configuration and cost estimates. Everything is much easier than in the past. Each individual module allows you to work on the details, but is also closely connected with the other modules. Using separate modules, design engineers can make a precise calculation of whole electrical system, then select equipment to suit the established electrical requirements and create a switchboard configuration. Finally, if the result is not sufficiently feasible, more detailed calculations can be made with the switchboard engineering module.

Here are some of the new purpose-made properties that make this process enjoyable:

- Easy drawing of single-line diagrams, both as regards power distribution and command and control circuits
- Simple and immediate selection and configuration of products, even for those who are not familiar with ABB products, simply by defining technical features
- The automatic user-friendly design process based on the list of devices simplifies one of the most complex design stages and avoids compatibility errors between products, assembly kits and busbar systems
- Effective product organization with tree views, so that the user can work methodically, view the relevant product immediately and define the switchboards with ease
- Availability of a dedicated module for busbar configuration

Well aware of market requirements, ABB now capitalizes on its experience and presents the new e-Design suite as a practical answer to every critical aspect of the design process.



[www.abb.it/lowvoltage](http://www.abb.it/lowvoltage)

The ABB SACE website will help you in your daily work with an innovative approach to the world of low voltage electrical installations and industrial automation.

### e-Design

e-Design suite is structured with integrated functional modules, allowing it to support all planning stages of an electrical installation. All solutions are studied in detail, from electrical network dimensioning, to switchboard configuration, through to the final cost estimate stage.

The registration procedure is very easy and, once completed, you can immediately download installers and upgrades.



- DOC** Electrical Installation Dimensioning
- EDS** Switchboard Configuration
- PDC** Switchboard Engineering
- CAT** Product Selection and Configuration

The suite's appealing and brand-new look, combined with general optimization of the functions that have always characterized ABB software, make it an innovative tool, up to date with the technologies currently available in the sector.

After only a brief introduction, the user can already design, calculate, archive and perform project planning. No special CAD skills are required. Software operation is based on dialog boxes. The user is led through the program.

# ABB SACE Division and its environmental protection commitment

Among the enterprises belonging to the Group, ABB SACE is in the forefront when it comes to dedicating consistent resources to its sustainable development and environmental protection goals. A policy confirmed by acquisition of ISO 9001 quality certification and ISO 14001 environmental management system certification by all the corporate plants as well as Integrated Quality, Environment, Safety Management System certification for the majority of business units.

Each of these goals and tasks is the result of a farsighted decision to adopt environmental policies and methods for reducing environmental impact. Already a leading enterprise as to the quality of its products, ABB SACE is also a pacesetter in Italy with regard to these issues.

Indeed, all the corporate divisions actively pursue policies for environmental management improvement implemented by rationalizing the use of raw materials and energy, preventing pollution, monitoring air and water quality, reducing noise emissions and the waste created by the production processes as well as conducting regular environmental audits with the major suppliers.

Thanks to use of analysis tools like LCA (Life Cycle Analysis), assessment and improvement of the environmental performance of the entire life cycle of the products is included in ABB SACE's design engineering work right from the very start. This with a view to optimizing the technical and energy performance, controlling and reducing environmental impact during the manufacturing phase and allowing the product end of life management process to be defined.



## ABB: quality of the certified product

ABB dedicates consistent resources for the purpose of attaining its quality and environmental protection goals, as testified by the following certifications obtained by the company:



# System pro E power

## User's guide



Chapter 1  
**Range presentation**  
Overview, introduction and advantages of the new main distribution switchboard range up to 6300A.



Chapter 4  
**Technical details, certifications and configuration examples.**  
Specifications of the new switchboard, regulatory framework, Italian and international certifications.



Chapter 2  
**Empty enclosures for free constructions**  
Distinctive features of the new switchboards with selection guides for rapid choice of the structure. Ordering codes for the framework and external covers.



Chapter 5  
**Overall dimensions**  
Overall dimensions of the switchboards and the relative components available.



Chapter 3  
**185mm busbar system enclosures**  
Assembly kits for the circuit-breakers and the accessories available for the new switchboard solution.



Chapter 6  
**List of codes**  
Analytical list of codes.





# System pro *E* power

## Our product range

Overview	1/2
Main characteristics of the series	1/4
Range presentation	1/4

# System pro E power Overview

1

With System pro E power offer ABB provides new solution for main distribution switchboards with rated current up to 6300A and short-circuit current up to 150kA, meets all plant requirements depending on the type of installation, required degree of protection and electrical and mechanical specifications.

System pro E power offers

Empty enclosures for free construction



<b>Range</b>	Empty enclosure for the fitting of CombiLine modules or any other devices
<b>Standard</b>	IEC 62208
<b>Compatibility</b>	Free construction with full range of accessories and mounting plates.

## Introduction

Thanks to the new switchboard, ABB can provide complete solutions for main electric power distribution in infrastructures and industries, in accordance with the regulatory framework. Typical fields of application are airports, subways, hospitals, industrial and residential estates, ports, tunnels, railways, theatres, etc.

In addition, System pro *E* power guarantees full synergy with all the other ABB apparatus (i.e. modular circuit-breakers, Tmax T and XT moulded-case circuit-breakers, Emax 2 air circuit-breakers) while being extremely simple to assemble and ensuring ease of wiring.

### 185mm busbar system up to 2000A



<b>Range</b>	Simple energy distribution solution with a main breaker as incomer, Inline II fuses as outgoer with optimized internal copper connections Main characteristics - IEC 61439 1-2 type tested - Rated currents 1000A, 1250A, 1600A, 2000A
<b>Standard</b>	IEC 61439 1-2 type tested
<b>Rated current</b>	Up to 2000A
<b>Short circuit current I<sub>cw</sub> 1 sec</b>	up to 75kA
<b>Segregation Form</b>	Form 1 only
<b>Compatibility</b>	Incomer T7, E1.2 or E2.2 from 1000A to 2000A. Feeders InLine II, MCCBs T4, T5, T6 and SlimLine XR up to 630A.

# System pro E power

## Main characteristics of the series

1

### Empty enclosures for free construction (for CombiLine N and 185mm Busbar System)

IP30, IP55



Compliance with Standard		IEC 62208
Approvals		LOVAG
Vibration test		-
Seismic withstand capability test		-
Conditions of installation		Indoor installation
Ambient temperature, average value 24h		-
Ambient temperature, maximum value		-
Ambient temperature, minimum value		-
Pollution degree		3
Protection class		I (earthed)
Rated current $I_n$		-
Rated short-time withstand current $I_{cw}$		-
Rated peak short-circuit current $I_{pk}$		-
Rated service voltage $U_e$		1000V AC - 1500V DC
Rated insulation voltage $U_i$		1000V AC - 1500V DC
Rated frequency		50-60Hz
Rated impulse withstand voltage $U_{imp}$		-
IP protection class		IP30, IP55
Painting	Enclosure	RAL 7035
	Plinth	RAL 7012
Protection against mechanical impact IEC62262	Glazed door	IK09
	Blind door, without door	IK10
Functional dimensions. External dimension = functional dimensions + 100mm (see more details in overall dimensions chapter).	Height (mm) without plinth	1800, 2100
	(+100, 200 mm with plinth)	
	Width (mm)	250, 500, 750, 1000, 1250
	Depth (mm)	200, 300, 500, 700

## 185mm Busbar System

IP30, IP55

Segregation only Form 1



Compliance with Standard		IEC 61439-1-2
Approvals		LOVAG
Vibration test		-
Seismic withstand capability test		-
Conditions of installation		Indoor installation
Ambient temperature, average value 24h		+35 °C
Ambient temperature, maximum value		+40 °C
Ambient temperature, minimum value		-5 °C
Pollution degree		3
Protection class		I (earthed)
Rated current I <sub>n</sub>		up to 2000A
Rated short-time withstand current I <sub>sw</sub>		up to 75kA
Rated peak short-circuit current I <sub>pk</sub>		up to 165kA
Rated service voltage U <sub>e</sub>		415 VAC
Rated insulation voltage U <sub>i</sub>		1000V AC
Rated frequency		50-60Hz
Rated impulse withstand voltage U <sub>imp</sub>		8kV
IP protection class		IP30, IP55
Painting	Enclosure	RAL 7035
	Plinth	RAL 7012
Protection against mechanical impact IEC62262	Glazed door	IK09
	Blind door, without door	IK10
Functional dimensions. External dimension = functional dimensions + 100mm (see more details in overall dimensions chapter).	Height (mm) without plinth	1800, 2100
	(+100, 200 mm with plinth)	
	Width (mm)	500, 750, 1000, 1250
	Depth (mm)	300, 500

# System pro *E* power Range presentation

1

The range of System pro *E* power structures can be used to create lots of switchboard configurations while guaranteeing flexibility and a certified product. Up to 270 different configurations can be assembled with a just a few part numbers. This new series features a structure in hot-dip galvanized sheet steel that guarantees equipotential bonding of the switchboard.

IP protection degrees for all types of applications, i.e. up to IP55, can be obtained. It's the only switchboard to reach such a high value. Certification was achieved after stringent tests involving the entire configuration (structure, circuit-breakers and busbar system), thus systems conforming to the new international standard IEC 61439-1-2 can be created by following ABB's instructions.

ABB apparatus can be installed inside the switchboards with high-level integration and optimized use of the available space thanks to the new modules, i.e. 150mm in height, as well as the usual 200mm modules. The circuit-breakers can be internally separated from Form 1 to Form 4b.

## Advantages

The System pro *E* power switchboard range is based upon three fundamental criteria that define its practical characteristics and advantages for the users.

## Flexibility

The structure can be assembled to suit different logic sequences.

Just a few part numbers for 120 enclosure sizes.

Can be assembled with or without plinth.

Upright with two different surface levels per side so that different kits can be installed.

New ergonomic handle allowing the door to be opened towards the right or left.

New busbar systems using the same components: cross-pieces, mounting plates and multifunction insulating supports able to house 5 or 10mm thick flat or shaped busbars.

Flexible busbar connections.

Extensive range of solutions for free mounting to create taylor made solutions.



## Velocity

New mounting plates with rapid click-in system.

Panels with ¼-turn screws.

Circuit-breaker kits fixed straight onto the uprights.

Internal segregation partitions created by simply adding accessories in sequence.

New handle allowing different inserts to be housed.

## Simplicity

New, simple assembly sequence.

Error-free assembly of the structure, which is perfectly symmetrical.

Modular uprights and cross-pieces joined together by means of a patented new system with axial screws.

Dedicated kits for 3-pole moulded-case circuit-breakers and common kits for 3- and 4-pole moulded case circuit-breakers.

Same front panels for fixed and swing frames, and for screwed and hinged solutions.

Two front panel height sizes available (150 and 200mm) for the DIN rail kit.

Simple energy distribution solutions for most common applications where fuseholders are used.

All this, plus an ultra-sturdy and safe construction, thanks to the new laser-beam welded upright with 13 folds.







# System pro E power

## Empty enclosures for free construction

### Empty enclosures for CombiLine N and 185 mm Busbar System

General information	2/2
Quik selection guide	2/4
Order codes	2/6

### Empty enclosures for top busbars system

General information	2/26
Quik selection guide	2/28
Order codes	2/32

# System pro E power

## Empty enclosures for CombiLine N and 185 mm Busbar System

### General information

An extended range of switchgear enclosures with two heights, five widths (functional widths 250, 500, 750, 1000 and 1250 mm) and four depths (functional depths 200, 300, 500 and 700 mm) provide unlimited possibilities.

Selected accessories make it easy to realize all your custom solutions: CombiLine modules for flexibility in the mounting of devices, crosspieces in different sizes accompanied by dedicated brackets for fixing in any position and flanges for optimum cable entry.



Compliance with Standard		IEC 62208
Approvals		LOVAG
Vibration test		-
Seismic withstand capability test		-
Conditions of installation		Indoor installation
Ambient temperature, average value 24h		-
Ambient temperature, maximum value		-
Ambient temperature, minimum value		-
Pollution degree		3
Protection class		I (earthed)
Rated current $I_n$		-
Rated short-time withstand current $I_{cw}$		-
Rated peak short-circuit current $I_{pk}$		-
Rated service voltage $U_e$		1000V AC - 1500V DC
Rated insulation voltage $U_i$		1000V AC - 1500V DC
Rated frequency		50-60Hz
Rated impulse withstand voltage $U_{imp}$		-
IP protection class		IP30, IP40, IP55, IP55
Painting	Enclosure	RAL 7035
	Plinth	RAL 7012
Protection against mechanical impact IEC62262	Glazed door	IK09
	Blind door	IK10
Functional dimensions. External dimension = functional dimensions + 100mm (see more details in overall dimensions chapter).	Height (mm) without plinth	1800, 2100
	(+100, 200, 300 mm with plinth)	
	Width (mm)	250, 500, 750, 1000, 1250
	Depth (mm)	200, 300, 500, 700

## Accessories for free construction

### Brackets and crosspieces

Various crosspieces, brackets and parts available for the realization of custom assemblies.



### CombiLine Module

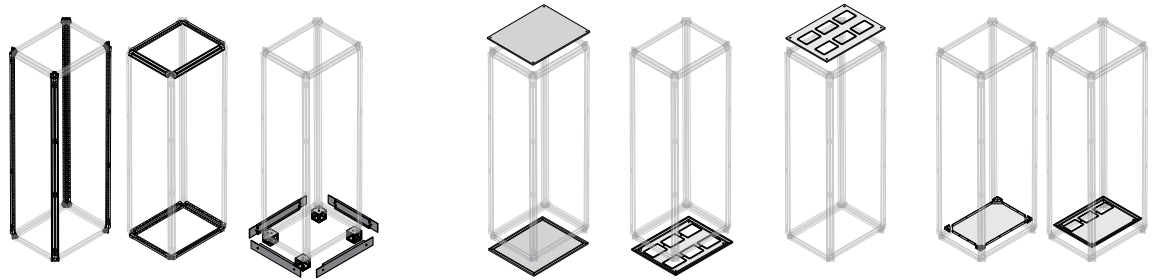
Wide range of modules for all power distribution devices and applications up to 800A.



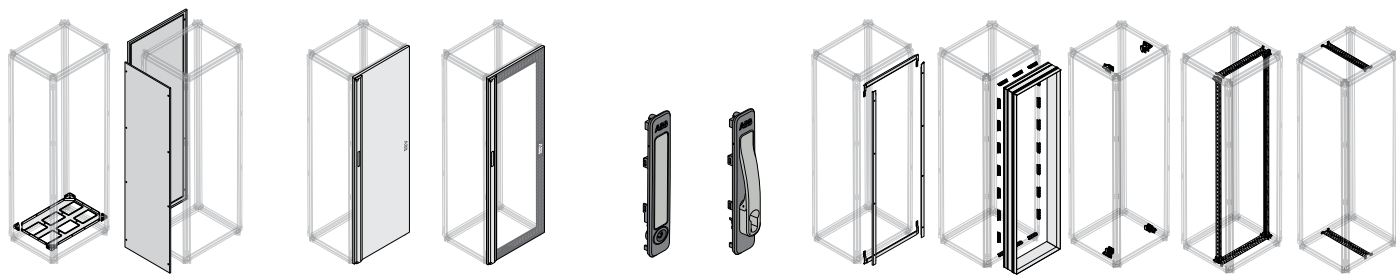
# System pro E power

## Empty enclosures for CombiLine N and 185 mm Busbar System

### Selection guide



Functional dimensions			External dimensions			FRAME - Galvanized sheet metal					EXTERNAL COVERS																	
H (mm)	W (mm)	D (mm)	H (mm)	W (mm)	D (mm)	Uprights	Front/Rear	Sides	Angle pieces	Structure crosspieces		Blind IP55	Bottom for column with plinth		Top		Internal bottom											
										H=100mm plinth			Blind IP55	Open IP55 (one row)	Open IP55 (two rows)	Open IP55 (one row)	Open IP55 (two rows)	Blind bottom IP40	Open bottom IP40 (one row)									
										Front/Rear	Sides									Plinth flanges								
1800	250	200	1900	850	300	PUPM1800	PCFM0250	PCFM0200	PCFM0300	PCFM0500	PCFM0700	PPFM1025	PPFM1020	PTBB2526	PTBT2526	PTBT2528	PBWP2520	PBWF2526										
		300			400														600	800	PPFM1030	PTBB2536	PTBT2536	PTBT2538	PBWP2530	PBWF2536		
		500			600														800	PPFM1050	PTBB2556	PTBT2556	PTBT2557	PTBT2558	PTBT2559	PBWP2550	PBWF2556	
		700			800														PPFM1070	PTBB2576	PTBT2576	PTBT2577	PTBT2578	PTBT2579	PBWP2570	PBWF2576		
	500	200	1900	850	850	PUPM1800	PCFM0500	PCFM0200	PCFM0300	PCFM0500	PCFM0700	PPAM0100	PPFM1050	PTBB5026	PTBT5026	PTBT5029	PBWP5020	PBWF5026										
		300																	400	600	800	PPFM1030	PTBB3056	PTBT3056	PTBT3058	PBWP3050	PBWF3056	
		500																	600	800	PPFM1050	PTBB5050	PTBT5050	PTBT5057	PTBT5058	PTBT5059	PBWP5050	PBWF5050
		700																	800	PPFM1070	PTBB5076	PTBT5076	PTBT5077	PTBT5078	PTBT5079	PBWP5070	PBWF5076	
	750	200	2200	850	850	PUPM1800	PCFM0750	PCFM0200	PCFM0300	PCFM0500	PCFM0700	PPAM0100	PPFM1075	PTBB7526	PTBT7526	PTBT7528	PBWP7520	PBWF7526										
		300																	400	600	800	PPFM1030	PTBB7536	PTBT7536	PTBT7538	PBWP7530	PBWF7536	
		500																	600	800	PPFM1050	PTBB7556	PTBT7556	PTBT7557	PTBT7558	PTBT7559	PBWP7550	PBWF7556
		700																	800	PPFM1070	PTBB7576	PTBT7576	PTBT7577	PTBT7578	PTBT7579	PBWP7570	PBWF7576	
	1000	200	2200	1100	850	PUPM1800	PCFM1000	PCFM0200	PCFM0300	PCFM0500	PCFM0700	PPAM0100	PPFM1010	PTBB1026	PTBT1026	PTBT1028	PBWP1020	PBWF1026										
		300																	400	600	800	PPFM1030	PTBB1036	PTBT1036	PTBT1038	PBWP1030	PBWF1036	
		500																	600	800	PPFM1050	PTBB1056	PTBT1056	PTBT1057	PTBT1058	PTBT1059	PBWP1050	PBWF1056
		700																	800	PPFM1070	PTBB1076	PTBT1076	PTBT1077	PTBT1078	PTBT1079	PBWP1070	PBWF1076	
	1250	200	2200	1350	850	PUPM1800	PCFM1250	PCFM0200	PCFM0300	PCFM0500	PCFM0700	PPAM0100 + PPIM0100	PPFM1250	PTBB1220	PTBT1226	PTBT1228	PBWP1220	PBWF1226										
		300																	400	600	800	PPFM1030	PTBB1236	PTBT1236	PTBT1238	PBWP1230	PBWF1236	
		500																	600	800	PPFM1050	PTBB1256	PTBT1256	PTBT1257	PTBT1258	PTBT1259	PBWP1250	PBWF1256
		700																	800	PPFM1070	PTBB1276	PTBT1276	PTBT1277	PTBT1278	PTBT1279	PBWP1270	PBWF1276	
	2100	250	200	2200	850	PUPM2100	PCFM0250	PCFM0200	PCFM0300	PCFM0500	PCFM0700	PPAM0100	PPFM1025	PTBB2526	PTBT2526	PTBT2528	PBWP2520	PBWF2526										
			300																400	600	800	PPFM1030	PTBB2536	PTBT2536	PTBT2538	PBWP2530	PBWF2536	
			500																600	800	PPFM1050	PTBB2556	PTBT2556	PTBT2557	PTBT2558	PTBT2559	PBWP2550	PBWF2556
			700																800	PPFM1070	PTBB2576	PTBT2576	PTBT2577	PTBT2578	PTBT2579	PBWP2570	PBWF2576	
500		200	2200	850	PUPM2100	PCFM0500	PCFM0200	PCFM0300	PCFM0500	PCFM0700	PPAM0100	PPFM1050	PTBB5026	PTBT5026	PTBT5029	PBWP5020	PBWF5026											
		300																400	600	800	PPFM1030	PTBB3056	PTBT3056	PTBT3058	PBWP3050	PBWF3056		
		500																600	800	PPFM1050	PTBB5050	PTBT5050	PTBT5057	PTBT5058	PTBT5059	PBWP5050	PBWF5050	
		700																800	PPFM1070	PTBB5076	PTBT5076	PTBT5077	PTBT5078	PTBT5079	PBWP5070	PBWF5076		
750		200	2200	850	PUPM2100	PCFM0750	PCFM0200	PCFM0300	PCFM0500	PCFM0700	PPAM0100	PPFM1075	PTBB7526	PTBT7526	PTBT7528	PBWP7520	PBWF7526											
		300																400	600	800	PPFM1030	PTBB7536	PTBT7536	PTBT7538	PBWP7530	PBWF7536		
		500																600	800	PPFM1050	PTBB7556	PTBT7556	PTBT7557	PTBT7558	PTBT7559	PBWP7550	PBWF7556	
		700																800	PPFM1070	PTBB7576	PTBT7576	PTBT7577	PTBT7578	PTBT7579	PBWP7570	PBWF7576		
1000		200	2200	1100	850	PUPM2100	PCFM1000	PCFM0200	PCFM0300	PCFM0500	PCFM0700	PPAM0100	PPFM1010	PTBB1026	PTBT1026	PTBT1028	PBWP1020	PBWF1026										
		300																	400	600	800	PPFM1030	PTBB1036	PTBT1036	PTBT1038	PBWP1030	PBWF1036	
		500																	600	800	PPFM1050	PTBB1056	PTBT1056	PTBT1057	PTBT1058	PTBT1059	PBWP1050	PBWF1056
		700																	800	PPFM1070	PTBB1076	PTBT1076	PTBT1077	PTBT1078	PTBT1079	PBWP1070	PBWF1076	
1250		200	2200	1350	850	PUPM2100	PCFM1250	PCFM0200	PCFM0300	PCFM0500	PCFM0700	PPAM0100 + PPIM0100	PPFM1250	PTBB1220	PTBT1226	PTBT1228	PBWP1220	PBWF1226										
		300																	400	600	800	PPFM1030	PTBB1236	PTBT1236	PTBT1238	PBWP1230	PBWF1236	
		500																	600	800	PPFM1050	PTBB1256	PTBT1256	PTBT1257	PTBT1258	PTBT1259	PBWP1250	PBWF1256
		700																	800	PPFM1070	PTBB1276	PTBT1276	PTBT1277	PTBT1278	PTBT1279	PBWP1270	PBWF1276	



															COMBILINE				
Front/side panels			Doors without lever				Lever codes, to be added for each door		Closing profile										
Open bottom IP40 (two rows)	Blind rear panel IP55	Blind side panel IP55	Blind IP55	Double blind IP55	Glazed IP55	Double glazed IP55	Standard lever without push-button	Lever for semi-cylinder insert	Profile IP30 Vertical	Profile IP30 Horizontal	Touchguard	Bracket	WR frame	Depth support					
PBWF2557 PBWF2577	PPEB1825	PPEB1826 PPEB1836 PPEB1856 PPEB1876	PDNB1826							PPFH0250	PCTG1825	PBCM0004	WR181						
PBWF5057 PBWF5077	PPEB1856	PPEB1826 PPEB1836 PPEB1856 PPEB1876	PDNB1856		PDNG1856					PPFH0500	PCTG1850	PBCM0004	WR281						
PBWF7557 PBWF7577	PPEB1875	PPEB1826 PPEB1836 PPEB1856 PPEB1876	PDNB1876		PDNG1876		PHLS0013	PHLS0012	PPFV1800	PPFH0750	PCTG1875	PBCM0004	WR381						
PBWF1057 PBWF1077	PPEB1816	PPEB1826 PPEB1836 PPEB1856 PPEB1876	PDNB1816	PDLB8126 + PDNB8506	PDNG1816	PDLG8126 + PDNG8506				PPFH1000	PCTG1810	PBCM0004 RZ1P4	WR281x2	PDFC0200 PDFC0300 PDFC0500 PDFC0700					
PBWF1257 PBWF1277	PPRB1826 PPLB1826	PPEB1826 PPEB1836 PPEB1856 PPEB1876		PDLB8126 + PDNB8406		PDLG8126 + PDNG8406				PPFH1250	PCTG1812	PBCM0004 RZ1P4	WR381 WR281	PDFC0200 PDFC0300 PDFC0500 PDFC0700					
PBWF2557 PBWF2577	PPEB2125	PPEB2126 PPEB2136 PPEB2156 PPEB2176	PDNB2126							PPFH0250	PCTG2125	PBCM0004	WR1101						
PBWF5057 PBWF5077	PPEB2156	PPEB2126 PPEB2136 PPEB2156 PPEB2176	PDNB2156		PDNG2156					PPFH0500	PCTG2150	PBCM0004	WR2101						
PBWF7557 PBWF7577	PPEB2175	PPEB2126 PPEB2136 PPEB2156 PPEB2176	PDNB2176		PDNG2176		PHLS0013	PHLS0012	PPFV2100	PPFH0750	PCTG2175	PBCM0004	WR3101						
PBWF1057 PBWF1077	PPEB2116	PPEB2126 PPEB2136 PPEB2156 PPEB2176	PDNB2116	PDLB1126 + PDNB1506	PDNG2116	PDLG1126 + PDNG1506				PPFH1000	PCTG2110	PBCM0004 RZ1P4	WR2101x2	PDFC0200 PDFC0300 PDFC0500 PDFC0700					
PBWF1257 PBWF1277	PPRB2126 PPLB2126	PPEB2126 PPEB2136 PPEB2156 PPEB2176		PDLB1126 + PDNB1406		PDLG1126 + PDNG1406				PPFH1250	PCTG2112	PBCM0004 RZ1P4	WR2101 WR3101	PDFC0200 PDFC0300 PDFC0500 PDFC0700					

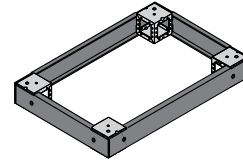
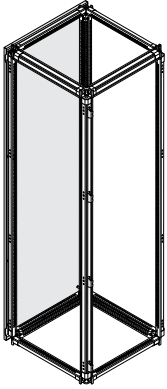
# System pro E power

## Empty enclosures for CombiLine N and 185 mm Busbar System

### Delivery form

The cabinet can be delivered in kit or preassembled according to the configurations shown below. The other accessories must be ordered separately.

2



**Cabinet with back panel**

External Height (mm)	External Width (mm)	External Depth (mm)	Article code
1900	350	300	1STQ001061M0000
		400	1STQ001062M0000
		600	1STQ001063M0000
		800	1STQ001064M0000
	600	300	1STQ001065M0000
		400	1STQ001066M0000
		600	1STQ001067M0000
		800	1STQ001068M0000
	850	300	1STQ001069M0000
		400	1STQ001070M0000
		600	1STQ001071M0000
		800	1STQ001072M0000
	1100	300	1STQ001073M0000
		400	1STQ001074M0000
		600	1STQ001075M0000
		800	1STQ001076M0000
	1350	300	1STQ001077M0000
		400	1STQ001078M0000
		600	1STQ001079M0000
		800	1STQ001080M0000
2200	350	300	1STQ001081M0000
		400	1STQ001082M0000
		600	1STQ001083M0000
		800	1STQ001084M0000
	600	300	1STQ001085M0000
		400	1STQ001086M0000
		600	1STQ001087M0000
		800	1STQ001088M0000
	850	300	1STQ001089M0000
		400	1STQ001090M0000
		600	1STQ001091M0000
		900	1STQ001092M0000
	1100	300	1STQ001093M0000
		400	1STQ001094M0000
		600	1STQ001095M0000
		800	1STQ001096M0000
	1350	300	1STQ001097M0000
		400	1STQ001098M0000
		600	1STQ001099M0000
		800	1STQ001100M0000

**Cabinet with blind door, back and top panel**

External Height (mm)	External Width (mm)	External Depth (mm)	ABB code
1900	350	300	1STQ001021M0000
		500	1STQ001022M0000
		600	1STQ001023M0000
		800	1STQ001024M0000
	600	300	1STQ001025M0000
		500	1STQ001026M0000
		600	1STQ001027M0000
		800	1STQ001028M0000
	850	300	1STQ001029M0000
		500	1STQ001030M0000
		600	1STQ001031M0000
		800	1STQ001032M0000
	1100	300	1STQ001033M0000
		500	1STQ001034M0000
		600	1STQ001035M0000
		800	1STQ001036M0000
	1350	300	1STQ001037M0000
		500	1STQ001038M0000
		600	1STQ001039M0000
		800	1STQ001040M0000
2200	350	300	1STQ001041M0000
		400	1STQ001042M0000
		600	1STQ001043M0000
		800	1STQ001044M0000
	600	300	1STQ001045M0000
		500	1STQ001046M0000
		600	1STQ001047M0000
		800	1STQ001048M0000
	850	300	1STQ001049M0000
		500	1STQ001050M0000
		600	1STQ001051M0000
		800	1STQ001052M0000
	1100	300	1STQ001053M0000
		500	1STQ001054M0000
		600	1STQ001055M0000
		800	1STQ001056M0000
	1350	300	1STQ001057M0000
		500	1STQ001058M0000
		600	1STQ001059M0000
		800	1STQ001060M0000

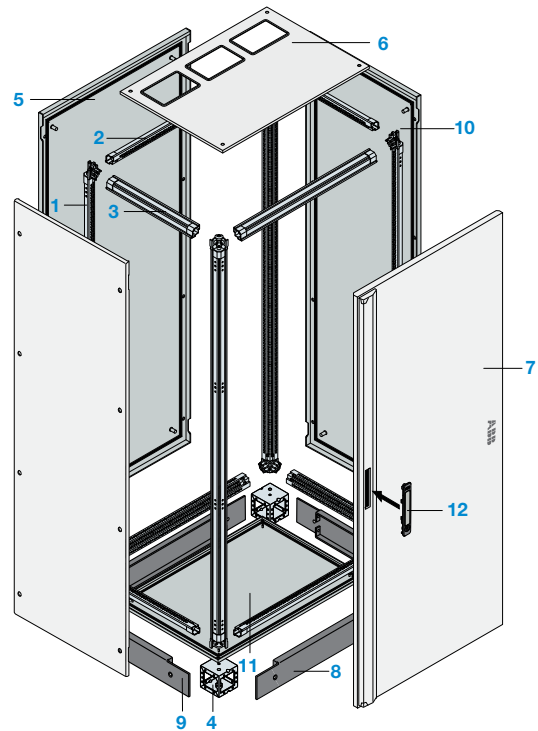
**Plinth with flanges**

External Width (mm)	External Depth (mm)	ABB code
350	300	1STQ001001M0000
	400	1STQ001002M0000
	600	1STQ001003M0000
	800	1STQ001004M0000
600	300	1STQ001005M0000
	400	1STQ001006M0000
	600	1STQ001007M0000
	800	1STQ001008M0000
850	300	1STQ001009M0000
	400	1STQ001010M0000
	600	1STQ001011M0000
	800	1STQ001012M0000
1100	300	1STQ001013M0000
	400	1STQ001014M0000
	600	1STQ001015M0000
	800	1STQ001016M0000
1350	300	1STQ001017M0000
	400	1STQ001018M0000
	600	1STQ001019M0000
	800	1STQ001020M0000

## Example order kit configuration

2200x850x600mm (HxWxD) structure

	Description	Order code	ABB code	Quantity
1	Uprights-Galvanized sheet metal	PUPM2100	1STQ007035A0000	1
2	Width crosspieces	PCFM0750	1STQ007041A0000	1
3	Depth crosspieces	PCFM0500	1STQ007039A0000	1
4	Plinth angle pieces	PPAM0100	1STQ007048A0000	1
5	Rear panel	PPEB2175	1STQ007603A0000	1
6	External top panel	PTBT7558	1STQ002422B0000	1
7	Blind door	PDNB2176	1STQ002269B0000	1
8	Front/rear plinth flanges	PPFM1075	1STQ007054A0000	1
9	Side plinth flanges	PPFM1050	1STQ007052A0000	1
10	External blind side panel	PPEB2156	1STQ002287B0000	2
11	Blind bottom for column with plinth	PTBB7556	1STQ007092A0000	1
12	Lever handle	PHLS0013	1STQ002334B0000	1

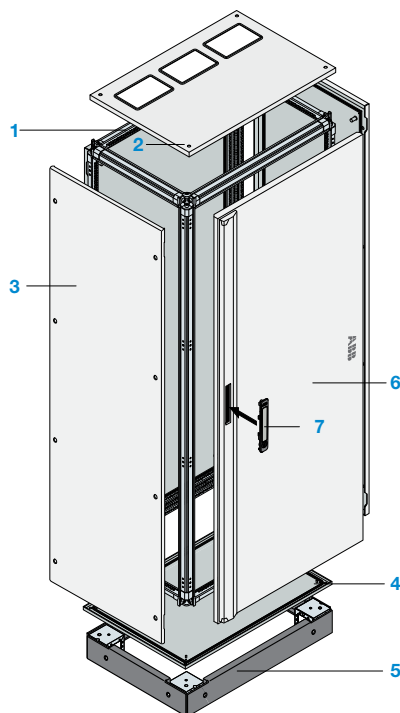


2

## Example order assembled configuration

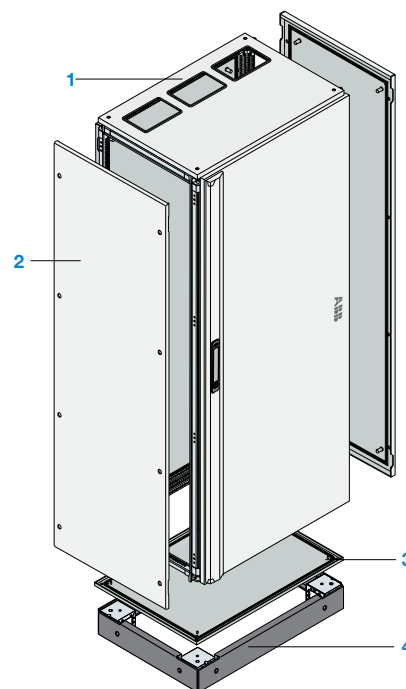
2200x850x600mm (HxWxD) structure (partially assembled)

	Description	Order code	ABB code	Quantity
1	<b>Cabinet with back panel</b>		1STQ001091M0000	1
2	External top panel	PTBT7559	1STQ002423B0000	1
3	External blind side panel	PPEB2156	1STQ002287B0000	2
4	Blind bottom for column with plinth	PTBB7556	1STQ007092A0000	1
5	<b>Plinth with flanges</b>		1STQ001011M0000	1
6	Blind door	PDNB2176	1STQ002269B0000	1
7	Lever handle	PHLS0013	1STQ002334B0000	1



2200x850x600mm (HxWxD) structure (partially assembled)

	Description	Order code	ABB code	Quantity
1	<b>Cabinet with blind door, back and top panel</b>		1STQ001051M0000	1
2	External blind side panel	PPEB2156	1STQ002287B0000	2
3	Blind bottom for column with plinth	PTBB7556	1STQ007092A0000	1
4	<b>Plinth with flanges</b>		1STQ001011M0000	1

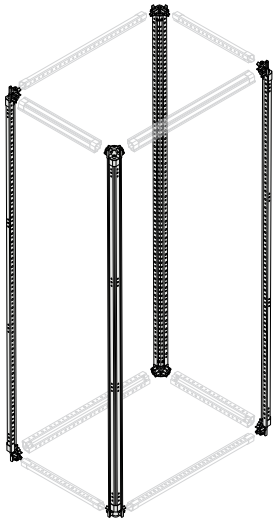


# System pro E power

## Empty enclosures for CombiLine N and 185 mm Busbar System

### Order codes

2



### Uprights – Galvanized sheet metal

Upright formed by a closed profile made of galvanized sheet metal. The uprights include 8 already assembled 3-way joints, 8 already assembled axial screws and 16 loose axial screws.

Description	External dimensions H (mm)	Order code	ABB code	Package/ No. pcs
No.4 uprights	1900	PUPM1800	1STQ007033A0000	1/4
No.4 uprights	2200	PUPM2100	1STQ007035A0000	1/4

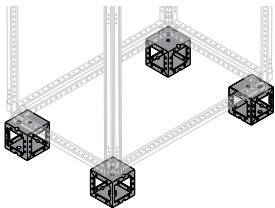


### Structure crosspieces – Galvanized sheet metal

Depth and width crosspieces for structures in galvanized sheet metal.

Description	External dimensions H (mm)		Order code	ABB code	Package/ No. pcs
	W	D			
<b>Width crosspieces</b>					
No.4 width crosspieces	350		PCFM0250	1STQ007036A0000	1/4
No.4 depth crosspieces	600		PCFM0500	1STQ007039A0000	1/4
No.4 width crosspieces	850		PCFM0750	1STQ007041A0000	1/4
No.4 width crosspieces	1100		PCFM1000	1STQ007043A0000	1/4
No.4 width crosspieces	1350		PCFM1250	1STQ007044A0000	1/4
<b>Depth crosspieces</b>					
No.4 depth crosspieces		300	PCFM0200	1STQ007045A0000	1/4
No.4 depth crosspieces		400	PCFM0300	1STQ007037A0000	1/4
No.4 depth crosspieces		600	PCFM0500	1STQ007039A0000	1/4
No.4 depth crosspieces		800	PCFM0700	1STQ007046A0000	1/4

PPAM0100



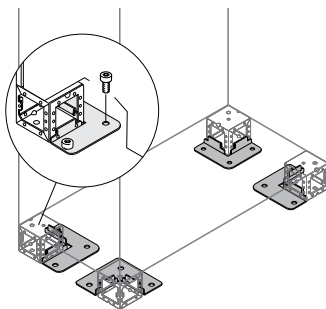
### Universal angle pieces for plinths in galvanized sheet metal

Not pre-assembled to the structure. New angle piece with high mechanical strength. Can be fixed from the outside and from the inside of the structure even at a later date. Equipped with anti-rotation system and bottom that can be transported with a transpallet.

Description	Dimensions H (mm)	Delivered in kit		Delivered assembled	Package/ No. pcs
		Order code	ABB code	ABB code	
No.4 plinth angle pieces	100	PPAM0100	1STQ007048A0000	1STQ001104M0000	1/4

Max. plinth height 300mm combining n.3 pieces of 100mm standard plinths.

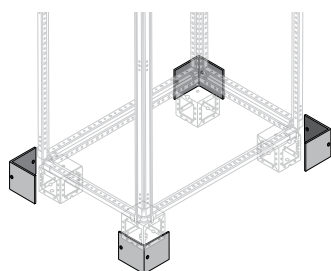




### Brackets for fixing to the floor

The kit allows the floor fixing of the structure by means of M12 screws.

Description	Order code	ABB code	Package/ No. pcs
No.4 floor fixing brackets	ZN1041	1STQ006833A0000	1/4

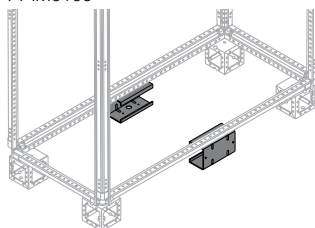


### "L" covers for plinth angle-pieces

Used for covering the sides of the plinth when the flanges are not used.

Description	Dimensions H (mm)	Order code	ABB code	Package/ No. pcs
No.4 angle-piece covers	100	PCPA0004	1STQ008109A0000	1/4

PPIM0100

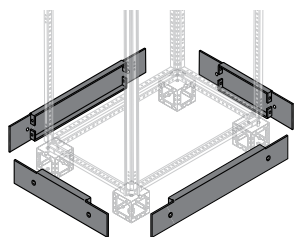


### Intermediate plinth

Intermediate plinth only for structures W=1250mm

Description	Dimensions H (mm)	Delivered in kit		Delivered assembled ABB code	Package/ No. pcs
		Order code	ABB code		
No.2 intermediate plinths	100	PPIM0100	1STQ007208A0000	1STQ001105M0000	1/2

Max. plinth height 300mm combining n.3 pieces of 100mm standard plinths.



### Plinth flanges

Side and front/rear plinth flanges H=100mm RAL 7012.

Description	External dimensions H (mm)		Delivered in kit		Delivered assembled ABB code	Package/ No. pcs
	W	D	Order code	ABB code		
<b>Front/rear plinth flanges</b>						
No.2 plinth flanges	350		PPFM1025	1STQ007049A0000	1STQ001107M0000	1/2
No.2 plinth flanges	600		PPFM1050	1STQ007052A0000	1STQ001109M0000	1/2
No.2 plinth flanges	850		PPFM1075	1STQ007054A0000	1STQ001111M0000	1/2
No.2 plinth flanges	1100		PPFM1010	1STQ007056A0000	1STQ001112M0000	1/2
No.4 plinth flanges	1350		PPFM1250	1STQ007057A0000	1STQ001113M0000	1/4
<b>Side plinth flanges</b>						
No.2 plinth flanges		300	PPFM1020	1STQ007058A0000	1STQ001106M0000	1/2
No.2 plinth flanges		400	PPFM1030	1STQ007050A0000	1STQ001108M0000	1/2
No.2 plinth flanges		600	PPFM1050	1STQ007052A0000	1STQ001109M0000	1/2
No.2 plinth flanges		800	PPFM1070	1STQ007059A0000	1STQ001110M0000	1/2

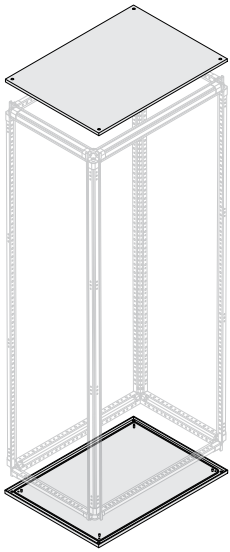
To cover plinth higher than 100mm, combine more pieces of 100mm standard flanges.

# System pro E power

## Empty enclosures for CombiLine N and 185 mm Busbar System

### Order codes

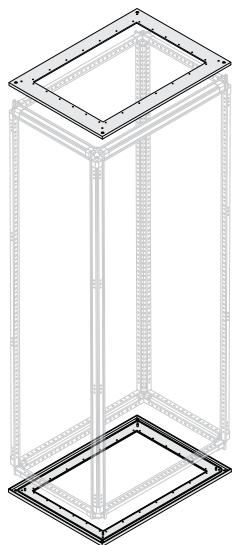
2



### Blind top/bottom for column with plinth IP55

Pickled sheet steel with IP55 gasket. The article comprises one single component that can be used as either a top or bottom. In order to purchase both the top and the bottom, please order two quantities of the same code or two different top/bottom codes according to the desired design of the structure.

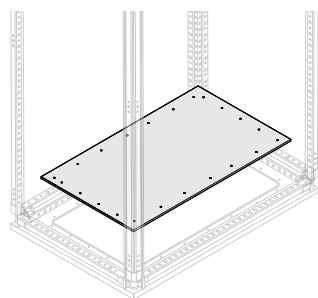
Description	External dimensions H (mm)		Delivered in kit		Delivered assembled	Package/ No. pcs
	W	D	Order code	ABB code	ABB code	
Blind Top/Bottom	350	300	PTBB2526	1STQ001270B0000	1STQ001114M0000	1/1
Blind Top/Bottom	350	400	PTBB2536	1STQ007071A0000	1STQ001115M0000	1/1
Blind Top/Bottom	350	600	PTBB2556	1STQ007072A0000	1STQ001116M0000	1/1
Blind Top/Bottom	350	800	PTBB2576	1STQ007073A0000	1STQ001117M0000	1/1
Blind Top/Bottom	600	300	PTBB5026	1STQ001284B0000	1STQ001118M0000	1/1
Blind Top/Bottom	600	400	PTBB3056	1STQ007076A0000	1STQ001119M0000	1/1
Blind Top/Bottom	600	600	PTBB5050	1STQ009179A0000	1STQ001120M0000	1/1
Blind Top/Bottom	600	800	PTBB5076	1STQ007085A0000	1STQ001121M0000	1/1
Blind Top/Bottom	850	300	PTBB7526	1STQ001303B0000	1STQ001122M0000	1/1
Blind Top/Bottom	850	400	PTBB7536	1STQ007091A0000	1STQ001123M0000	1/1
Blind Top/Bottom	850	600	PTBB7556	1STQ007092A0000	1STQ001124M0000	1/1
Blind Top/Bottom	850	800	PTBB7576	1STQ007093A0000	1STQ001125M0000	1/1
Blind Top/Bottom	1100	300	PTBB1026	1STQ009178A0000	1STQ001126M0000	1/1
Blind Top/Bottom	1100	400	PTBB1036	1STQ007099A0000	1STQ001127M0000	1/1
Blind Top/Bottom	1100	600	PTBB1056	1STQ007100A0000	1STQ001128M0000	1/1
Blind Top/Bottom	1100	800	PTBB1076	1STQ007101A0000	1STQ001129M0000	1/1
Blind Top/Bottom	1350	300	PTBB1220	1STQ009153A0000	1STQ001130M0000	1/1
Blind Top/Bottom	1350	400	PTBB1236	1STQ002294B0000	1STQ001131M0000	1/1
Blind Top/Bottom	1350	600	PTBB1256	1STQ002295B0000	1STQ001132M0000	1/1
Blind Top/Bottom	1350	800	PTBB1276	1STQ002296B0000	1STQ001133M0000	1/1



### Open top/bottom for column with plinth - IP55

Pickled sheet steel with holes. The code comprises one single component that can be used as either a top or bottom. In order to purchase both the top and the bottom, please order two quantities of the same code or two different top/bottom codes according to the desired design of the structure. In order to reach IP55 protection degree, use the dedicated fixed cable incoming flanges PFCF... The use of the single open top/bottom without flanges does not guarantee any degree of protection IP.

Description	External dimensions H (mm)		Order code	ABB code	Package/ No. pcs
	W	D			
Open Top/Bottom	350	300	PTBO2520	1STQ001272B0000	1/1
Open Top/Bottom	350	400	PTBO2530	1STQ007132A0000	1/1
Open Top/Bottom	350	600	PTBO2550	1STQ007133A0000	1/1
Open Top/Bottom	350	800	PTBO2570	1STQ007134A0000	1/1
Open Top/Bottom	600	300	PTBO5020	1STQ001287B0000	1/1
Open Top/Bottom	600	400	PTBO3050	1STQ007137A0000	1/1
Open Top/Bottom	600	600	PTBO5050	1STQ007145A0000	1/1
Open Top/Bottom	600	800	PTBO5070	1STQ007146A0000	1/1
Open Top/Bottom	850	300	PTBO7520	1STQ001305B0000	1/1
Open Top/Bottom	850	400	PTBO7530	1STQ007152A0000	1/1
Open Top/Bottom	850	600	PTBO7550	1STQ007153A0000	1/1
Open Top/Bottom	850	800	PTBO7570	1STQ007154A0000	1/1
Open Top/Bottom	1100	400	PTBO1030	1STQ007160A0000	1/1
Open Top/Bottom	1100	600	PTBO1050	1STQ007161A0000	1/1
Open Top/Bottom	1100	800	PTBO1070	1STQ007162A0000	1/1
Open Top/Bottom	1350	400	PTBO1230	1STQ007164A0000	1/1
Open Top/Bottom	1350	600	PTBO1250	1STQ007165A0000	1/1
Open Top/Bottom	1350	800	PTBO1270	1STQ007166A0000	1/1



### Fixed incoming cable flange

Fixed incoming cable flange in sheet metal to use in conjunction with the open bottom to guarantee IP55 protection class.

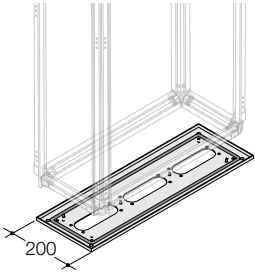
Description	External dimensions H (mm)		Order code	ABB code	Package/ No. pcs
	W	D			
Fixed flange	350	300	PFCF2520	1STQ001274B0000	1/1
Fixed flange	350	400	PFCF2530	1STQ007655A0000	1/1
Fixed flange	350	600	PFCF2550	1STQ007656A0000	1/1
Fixed flange	350	800	PFCF2570	1STQ007657A0000	1/1
Fixed flange	600	300	PFCF5020	1STQ001290B0000	1/1
Fixed flange	600	400	PFCF3050	1STQ007660A0000	1/1
Fixed flange	600	600	PFCF5050	1STQ007668A0000	1/1
Fixed flange	600	800	PFCF5070	1STQ007669A0000	1/1
Fixed flange	850	300	PFCF7520	1STQ001307B0000	1/1
Fixed flange	850	400	PFCF7530	1STQ007675A0000	1/1
Fixed flange	850	600	PFCF7550	1STQ007676A0000	1/1
Fixed flange	850	800	PFCF7570	1STQ007677A0000	1/1
Fixed flange	1100	400	PFCF1030	1STQ007683A0000	1/1
Fixed flange	1100	600	PFCF1050	1STQ007684A0000	1/1
Fixed flange	1100	800	PFCF1070	1STQ007685A0000	1/1
Fixed flange	1350	400	2x PFCF6030	1STQ007671A0000	1/1
Fixed flange	1350	600	2x PFCF6050	1STQ007672A0000	1/1
Fixed flange	1350	800	2x PFCF6070	1STQ007673A0000	1/1

# System pro E power

## Empty enclosures for CombiLine N and 185 mm Busbar System

### Order codes

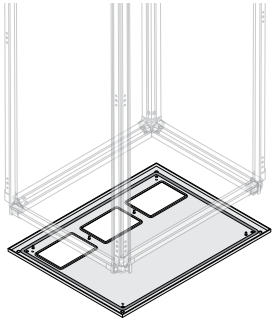
2



#### Open bottom for column D=300mm with plinth - IP55

Pickled sheet steel with holes. The code comprises one single component that can be used as bottom. In order to reach IP55 protection degree, use the dedicated fixed cable incoming flanges EV.... The use of the single open bottom without flanges does not guarantee any degree of protection IP. The cut out 196x63mm, the distance between the cut out is 250mm.

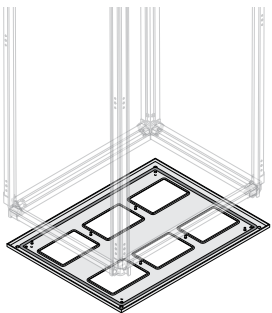
Description	External dimensions H (mm)		Delivered in kit		Delivered assembled	Package/ No. pcs
	W	D	Order code	ABB code	ABB code	
Open bottom	350	300	PTBT2526	1STQ002309B0000	1STQ001134M0000	1/1
Open bottom	600	300	PTBT5026	1STQ002316B0000	1STQ001135M0000	1/1
Open bottom	850	300	PTBT7526	1STQ002322B0000	1STQ001136M0000	1/1
Open bottom	1100	300	PTBT1026	1STQ002297B0000	1STQ001137M0000	1/1
Open bottom	1350	300	PTBT1226	1STQ002303B0000	1STQ001138M0000	1/1

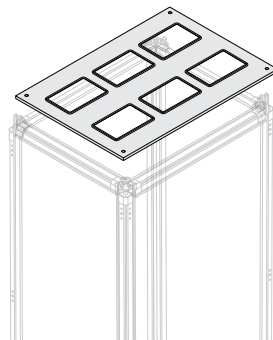
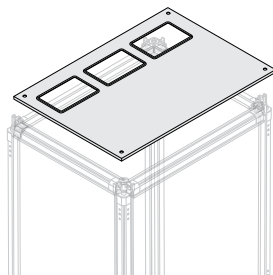
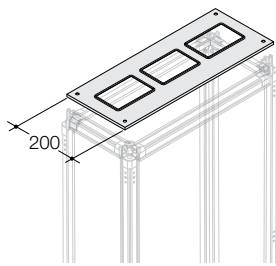


#### Open bottom for column with plinth - IP55

Pickled sheet steel with holes. The code comprises one single component that can be used as bottom. In order to reach IP55 protection degree, use the dedicated fixed cable incoming flanges TZ.... page 2/17 (TZ101 cannot be installed) on the internal side. The use of the single open bottom without flanges does not guarantee any degree of protection IP. The cut out is 197x121mm, the distance between the cut out is 250mm in width and 250mm in depth (for two rows type).

Description	External dimensions H (mm)		Delivered in kit		Delivered assembled	Package/ No. pcs
	W	D	Order code	ABB code	ABB code	
<b>One row</b>						
Open bottom	350	400	PTBT2536	1STQ002310B0000	1STQ001139M0000	1/1
Open bottom	350	600	PTBT2556	1STQ002311B0000	1STQ001140M0000	1/1
Open bottom	350	800	PTBT2576	1STQ002313B0000	1STQ001141M0000	1/1
Open bottom	600	400	PTBT3056	1STQ002315B0000	1STQ001142M0000	1/1
Open bottom	600	600	PTBT5050	1STQ002317B0000	1STQ001143M0000	1/1
Open bottom	600	800	PTBT5076	1STQ002320B0000	1STQ001144M0000	1/1
Open bottom	850	400	PTBT7536	1STQ002323B0000	1STQ001145M0000	1/1
Open bottom	850	600	PTBT7556	1STQ002324B0000	1STQ001146M0000	1/1
Open bottom	850	800	PTBT7576	1STQ002326B0000	1STQ001147M0000	1/1
Open bottom	1100	400	PTBT1036	1STQ002298B0000	1STQ001148M0000	1/1
Open bottom	1100	600	PTBT1056	1STQ002299B0000	1STQ001149M0000	1/1
Open bottom	1100	800	PTBT1076	1STQ002301B0000	1STQ001150M0000	1/1
Open bottom	1350	400	PTBT1236	1STQ002304B0000	1STQ001151M0000	1/1
Open bottom	1350	600	PTBT1256	1STQ002305B0000	1STQ001152M0000	1/1
Open bottom	1350	800	PTBT1276	1STQ002307B0000	1STQ001153M0000	1/1
<b>Two rows</b>						
Open bottom	350	600	PTBT2557	1STQ002312B0000	1STQ001154M0000	1/1
Open bottom	350	800	PTBT2577	1STQ002314B0000	1STQ001155M0000	1/1
Open bottom	600	600	PTBT5057	1STQ002319B0000	1STQ001156M0000	1/1
Open bottom	600	800	PTBT5077	1STQ002321B0000	1STQ001157M0000	1/1
Open bottom	850	600	PTBT7557	1STQ002325B0000	1STQ001158M0000	1/1
Open bottom	850	800	PTBT7577	1STQ002327B0000	1STQ001159M0000	1/1
Open bottom	1100	600	PTBT1057	1STQ002300B0000	1STQ001160M0000	1/1
Open bottom	1100	800	PTBT1077	1STQ002302B0000	1STQ001161M0000	1/1
Open bottom	1350	600	PTBT1257	1STQ002306B0000	1STQ001162M0000	1/1
Open bottom	1350	800	PTBT1277	1STQ002308B0000	1STQ001163M0000	1/1





## Open top - IP55

Pickled sheet steel with holes. The code comprises one single component that can be used as top.

In order to reach IP55 protection degree, use the dedicated fixed cable incoming flanges TZ.... page 2/17 on the external side. The use of the single open top without flanges does not guarantee any degree of protection IP. The cut out is 197x121mm, the distance between the cut out is 250mm in width and 250mm in depth (for two rows type).

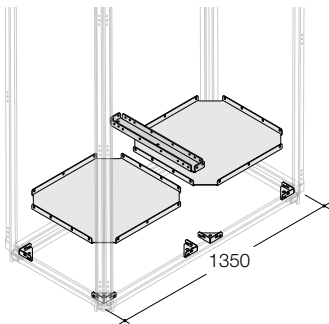
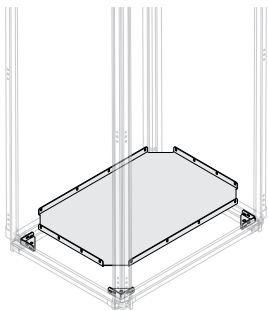
Description	External dimensions H (mm)		Delivered in kit		Delivered assembled	Package/ No. pcs
	W	D	Order code	ABB code	ABB code	
<b>One row</b>						
Open top	350	300	PTBT2528	1STQ002408B0000	1STQ001164M0000	1/1
Open top	350	400	PTBT2538	1STQ002409B0000	1STQ001165M0000	1/1
Open top	350	600	PTBT2558	1STQ002410B0000	1STQ001166M0000	1/1
Open top	350	800	PTBT2578	1STQ002412B0000	1STQ001167M0000	1/1
Open top	600	300	PTBT5029	1STQ002415B0000	1STQ001168M0000	1/1
Open top	600	400	PTBT3058	1STQ002414B0000	1STQ001169M0000	1/1
Open top	600	600	PTBT5058	1STQ002416B0000	1STQ001170M0000	1/1
Open top	600	800	PTBT5078	1STQ002418B0000	1STQ001171M0000	1/1
Open top	850	300	PTBT7528	1STQ002420B0000	1STQ001172M0000	1/1
Open top	850	400	PTBT7538	1STQ002421B0000	1STQ001173M0000	1/1
Open top	850	600	PTBT7558	1STQ002422B0000	1STQ001174M0000	1/1
Open top	850	800	PTBT7578	1STQ002424B0000	1STQ001175M0000	1/1
Open top	1100	300	PTBT1028	1STQ002396B0000	1STQ001176M0000	1/1
Open top	1100	400	PTBT1038	1STQ002397B0000	1STQ001177M0000	1/1
Open top	1100	600	PTBT1058	1STQ002398B0000	1STQ001178M0000	1/1
Open top	1100	800	PTBT1078	1STQ002400B0000	1STQ001179M0000	1/1
Open top	1350	300	PTBT1228	1STQ002402B0000	1STQ001180M0000	1/1
Open top	1350	400	PTBT1238	1STQ002403B0000	1STQ001181M0000	1/1
Open top	1350	600	PTBT1258	1STQ002404B0000	1STQ001182M0000	1/1
Open top	1350	800	PTBT1278	1STQ002406B0000	1STQ001183M0000	1/1
<b>Two rows</b>						
Open top	350	600	PTBT2559	1STQ002411B0000	1STQ001184M0000	1/1
Open top	350	800	PTBT2579	1STQ002413B0000	1STQ001185M0000	1/1
Open top	600	600	PTBT5059	1STQ002417B0000	1STQ001186M0000	1/1
Open top	600	800	PTBT5079	1STQ002419B0000	1STQ001187M0000	1/1
Open top	850	600	PTBT7559	1STQ002423B0000	1STQ001188M0000	1/1
Open top	850	800	PTBT7579	1STQ002425B0000	1STQ001189M0000	1/1
Open top	1100	600	PTBT1059	1STQ002399B0000	1STQ001190M0000	1/1
Open top	1100	800	PTBT1079	1STQ002401B0000	1STQ001191M0000	1/1
Open top	1350	600	PTBT1259	1STQ002405B0000	1STQ001192M0000	1/1
Open top	1350	800	PTBT1279	1STQ002407B0000	1STQ001193M0000	1/1

# System pro E power

## Empty enclosures for CombiLine N and 185 mm Busbar System

### Order codes

2

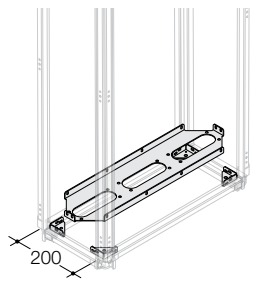


#### Internal blind bottom for column without plinth - IP40

Internal galvanized steel bottom with special brackets kit included (special brackets kit available also as spare part with the code PBRB0004).

Description	External dimensions H (mm)		Delivered in kit		Delivered assembled	Package/ No. pcs
	W	D	Order code	ABB code	ABB code	
Internal bottom	350	300	PBWP2520	1STQ001279B0000	1STQ001194M0000	1/1
Internal bottom	350	400	PBWP2530	1STQ007168A0000	1STQ001195M0000	1/1
Internal bottom	350	600	PBWP2550	1STQ007169A0000	1STQ001196M0000	1/1
Internal bottom	350	800	PBWP2570	1STQ007170A0000	1STQ001197M0000	1/1
Internal bottom	600	300	PBWP5020	1STQ001297B0000	1STQ001198M0000	1/1
Internal bottom	600	400	PBWP3050	1STQ007173A0000	1STQ001199M0000	1/1
Internal bottom	600	600	PBWP5050	1STQ007181A0000	1STQ001200M0000	1/1
Internal bottom	600	800	PBWP5070	1STQ007182A0000	1STQ001201M0000	1/1
Internal bottom	850	300	PBWP7520	1STQ001313B0000	1STQ001202M0000	1/1
Internal bottom	850	400	PBWP7530	1STQ007188A0000	1STQ001203M0000	1/1
Internal bottom	850	600	PBWP7550	1STQ007189A0000	1STQ001204M0000	1/1
Internal bottom	850	800	PBWP7570	1STQ007190A0000	1STQ001205M0000	1/1
Internal bottom	1100	300	PBWP1020	1STQ002245B0000	1STQ001206M0000	1/1
Internal bottom	1100	400	PBWP1030	1STQ007196A0000	1STQ001207M0000	1/1
Internal bottom	1100	600	PBWP1050	1STQ007197A0000	1STQ001208M0000	1/1
Internal bottom	1100	800	PBWP1070	1STQ007198A0000	1STQ001209M0000	1/1
Internal bottom*	1350	300	PBWP1220	1STQ002246B0000	1STQ001210M0000	1/1
Internal bottom*	1350	400	PBWP1230	1STQ007200A0000	1STQ001211M0000	1/1
Internal bottom*	1350	600	PBWP1250	1STQ007201A0000	1STQ001212M0000	1/1
Internal bottom*	1350	800	PBWP1270	1STQ007202A0000	1STQ001213M0000	1/1

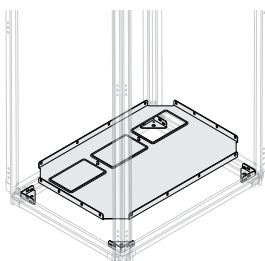
\* Made in two pieces.



### Internal open bottom for column D=300mm with plinth - IP40

Internal galvanized steel bottom with special brackets kit included (special brackets kit available also as spare part with the code PBRB0004). The cut out is 196x63mm, the distance between the cut out is 250mm. The dedicated fixed cable incoming flanges EV... can be mounted.

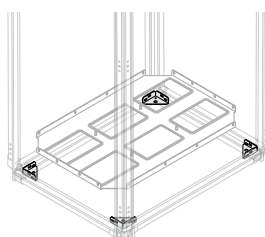
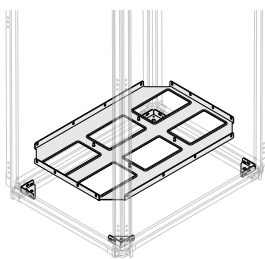
Description	External dimensions H (mm)		Delivered in kit		Delivered assembled	Package/ No. pcs
	W	D	Order code	ABB code	ABB code	
Internal bottom	350	300	PBWF2526	1STQ002226B0000	1STQ001214M0000	1/1
Internal bottom	600	300	PBWF5026	1STQ002233B0000	1STQ001215M0000	1/1
Internal bottom	850	300	PBWF7526	1STQ002239B0000	1STQ001216M0000	1/1
Internal bottom	1100	300	PBWF1026	1STQ002214B0000	1STQ001217M0000	1/1
Internal bottom	1350	300	PBWF1226	1STQ002220B0000	1STQ001218M0000	1/1



### Internal open bottom for column D≥400mm with plinth - IP40

Internal galvanized steel bottom with special brackets kit included (special brackets kit available also as spare part with the code PBRB0004). The cut out is 197x121mm, the distance between the cut out is 250mm in width and 200mm in depth (for two rows type). The dedicated fixed cable incoming flanges TZ.... page 2/17 can be mounted on the external side. It is mandatory to use the plinth.

Description	External dimensions H (mm)		Delivered in kit		Delivered assembled	Package/ No. pcs
	W	D	Order code	ABB code	ABB code	
<b>One row</b>						
Internal bottom	350	400	PBWF2536	1STQ002227B0000	1STQ001219M0000	1/1
Internal bottom	350	600	PBWF2556	1STQ002228B0000	1STQ001220M0000	1/1
Internal bottom	350	800	PBWF2576	1STQ002230B0000	1STQ001221M0000	1/1
Internal bottom	600	400	PBWF3056	1STQ002232B0000	1STQ001222M0000	1/1
Internal bottom	600	600	PBWF5050	1STQ002234B0000	1STQ001223M0000	1/1
Internal bottom	600	800	PBWF5076	1STQ002237B0000	1STQ001224M0000	1/1
Internal bottom	850	400	PBWF7536	1STQ002240B0000	1STQ001225M0000	1/1
Internal bottom	850	600	PBWF7556	1STQ002241B0000	1STQ001226M0000	1/1
Internal bottom	850	800	PBWF7576	1STQ002243B0000	1STQ001227M0000	1/1
Internal bottom	1100	400	PBWF1036	1STQ002215B0000	1STQ001228M0000	1/1
Internal bottom	1100	600	PBWF1056	1STQ002216B0000	1STQ001229M0000	1/1
Internal bottom	1100	800	PBWF1076	1STQ002218B0000	1STQ001230M0000	1/1
Internal bottom	1350	400	PBWF1236	1STQ002221B0000	1STQ001231M0000	1/1
Internal bottom	1350	600	PBWF1256	1STQ002222B0000	1STQ001232M0000	1/1
Internal bottom	1350	800	PBWF1276	1STQ002224B0000	1STQ001233M0000	1/1
<b>Two rows</b>						
Internal bottom	350	600	PBWF2557	1STQ002229B0000	1STQ001234M0000	1/1
Internal bottom	350	800	PBWF2577	1STQ002231B0000	1STQ001235M0000	1/1
Internal bottom	600	600	PBWF5057	1STQ002236B0000	1STQ001236M0000	1/1
Internal bottom	600	800	PBWF5077	1STQ002238B0000	1STQ001237M0000	1/1
Internal bottom	850	600	PBWF7557	1STQ002242B0000	1STQ001238M0000	1/1
Internal bottom	850	800	PBWF7577	1STQ002244B0000	1STQ001239M0000	1/1
Internal bottom	1100	600	PBWF1057	1STQ002217B0000	1STQ001240M0000	1/1
Internal bottom	1100	800	PBWF1077	1STQ002219B0000	1STQ001241M0000	1/1
Internal bottom	1350	600	PBWF1257	1STQ002223B0000	1STQ001242M0000	1/1
Internal bottom	1350	800	PBWF1277	1STQ002225B0000	1STQ001243M0000	1/1



### Special brackets kit

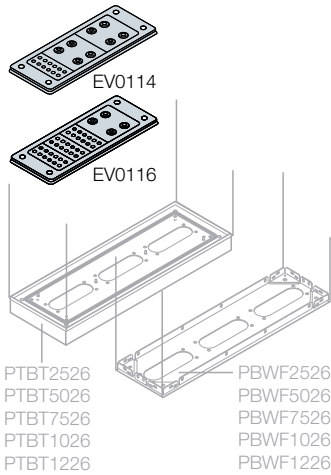
Description	Delivered in kit		Delivered assembled	Package/ No. pcs
	Order code	ABB code	ABB code	
No.4 brackets for base without plinth	PBRB0004	1STQ008127A0000		1/4

# System pro E power

## Empty enclosures for CombiLine N and 185 mm Busbar System

### Order codes

2

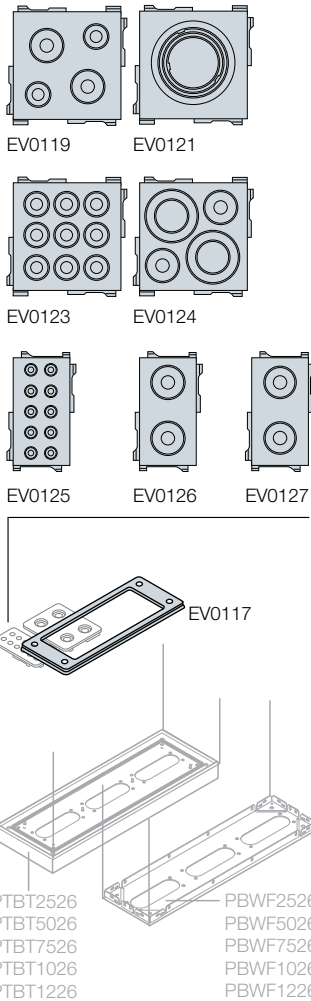


### Modular preconfigured cable entry flange for column D=200mm

The cable glands allow to install several cables and ensure the protection of the components within the enclosures. The inserts are equipped with a membrane that can be easily perforated by the cable. There is the possibility of installing cable glands and flange with clamp. Colour gray RAL 7035, operating temperature from -20 ° C to +125 ° C, IP55 according to EN 60529 specifications.

Description	Dimensions (mm)		Code	ABB code	Package/ No. of pieces
	W	D			
<b>Modular preconfigured cable entry gland IP55</b>					
No.10 preconfigured cable entry flanges for 18 cables Ø min/max 7/14 and 10 cables Ø min/max 4/10mm	214	90	EV0114	1STQ006545A0000	1/10
No.10 preconfigured cable entry flanges for 30 cables Ø min/max 4/10, 2 for M20 Ø min/max 6/13mm and 2 cables M25 Ø min/max 8/17mm	214	90	EV0116	1STQ006546A0000	1/10

the cable entry flange will take the IP degree of protection of the chosen bottom.



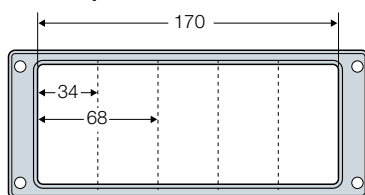
### Cable entry flanges configurable with single inserts for column D=200mm

Thanks to the frame and to the inserts available, it is possible to customize the flange according to the size, quantity of the cables to be installed. The inserts are equipped with a membrane that can be easily perforated by the cable without the need to use any tool. There is the possibility of installing cable frames and cable with clamp. Colour gray RAL 7035, operating temperature from -20 ° C to +125 ° C, IP55 according to EN 60529 specifications.

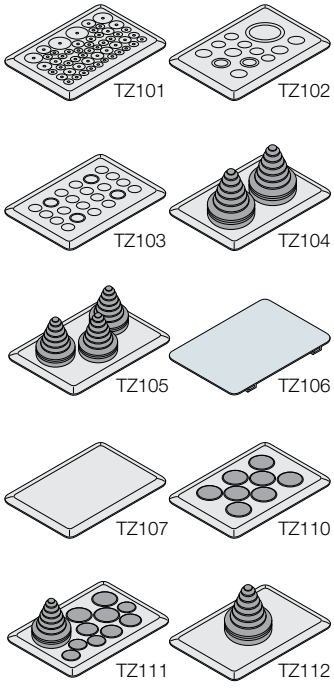
Description	Dimensions (mm)		Code	ABB code	Package/ No. of pieces
	W	D			
<b>Configurable modular flange</b>					
No.1 Cable entry gland frame to configure with single insert	214	90	EV0117	1STQ006547A0000	1/1
<b>Inserts for configurable modular flange</b>					
No.10 inserts 68x68mm for entry No.4 cables, 2 cables M25 (Ø min/max 8/17mm) 2 Cables M16 (Ø min/max 5/10mm)	68	68	EV0119	1STQ006548A0000	1/10
No.10 inserts 68x68mm for entry No.1 cable M32 / M40 / M50	68	68	EV0121	1STQ006549A0000	1/10
No.10 inserts 68x68mm for entry No.9 cables (Ø min/max 7/14mm)	68	68	EV0123	1STQ006550A0000	1/10
No.10 inserts 68x68mm for entry No.4 cables, 2 Ø min/max 10/20 e 2 Ø min/max 20/30mm	68	68	EV0124	1STQ006551A0000	1/10
No.10 inserts 34x68mm for entry No.2 cables Ø min/max 8/17mm	34	68	EV0125	1STQ006552A0000	1/10
No.10 inserts 34x68mm for entry No.2 cables Ø min/max 6/13mm	34	68	EV0126	1STQ006553A0000	1/10
No.10 inserts 34x68mm for entry No.10 cables Ø min/max 4/10mm	34	68	EV0127	1STQ006554A0000	1/10

the cable entry flange will take the IP degree of protection of the chosen bottom.

### Useful space for inserts





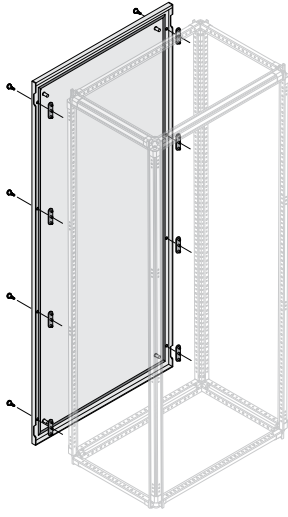


**IP55 flanges for open bottom/top**

The flanges can be fitted into top/bottom panel with cut out 197x121mm. The cable glands allow to install several cables and ensure the protection of the components within the enclosures. The plastic ones can be easily perforated.

Description	Material	Order code	ABB code	Package/ No. pcs
Flange for 52 entries	Plastic	TZ101	2CPX010450R9999	1/1
Flange for 52 entries 10pcs	Plastic	TZ101P10	2CPX010451R9999	1/10
Flange 1M63/50 2M32/20	Plastic	TZ102	2CPX010452R9999	1/1
Flange 1M63/50 2M32/20 10psc	Plastic	TZ102P10	2CPX010453R9999	1/10
Flange 4xM20/M25 18xM20	Plastic	TZ103	2CPX010454R9999	1/1
Flange 4xM20/M25 18xM20 10pcs	Plastic	TZ103P10	2CPX010455R9999	1/10
Flange 2 cable sleeves	Plastic	TZ104*	2CPX010456R9999	1/1
Flange 2 cable sleeves 10pcs	Plastic	TZ104P10*	2CPX010932R9999	1/10
Flange 3 cable sleeves	Plastic	TZ105	2CPX010457R9999	1/1
Flange 3 cable sleeves 10pcs	Plastic	TZ105P10	2CPX010933R9999	1/10
Metal flange plate	Sheet steel	TZ106	2CPX010458R9999	1/1
Metal gland plate 10pcs	Sheet steel	TZ106P10	2CPX010459R9999	1/10
Closing flange	Plastic	TZ107	2CPX010460R9999	1/1
Closing flange 10PCE	Plastic	TZ107P10	2CPX010461R9999	1/10
Flange 8x13-34mm	Plastic	TZ110	2CPX010850R9999	1/1
Flange 8x13-34mm 10pcs	Plastic	TZ110P10	2CPX010934R9999	1/10
Flange for 11 entries	Plastic	TZ111	2CPX010851R9999	1/1
Flange for 11 entries 10pcs	Plastic	TZ111P10	2CPX010935R9999	1/10
Flange 1 cable sl. 14-68mm	Plastic	TZ112*	2CPX010852R9999	1/1

\* These flanges have an height greater than the plinth 100mm.



**External blind front/rear panel IP55**

Pickled sheet steel with gasket and plugs IP55.

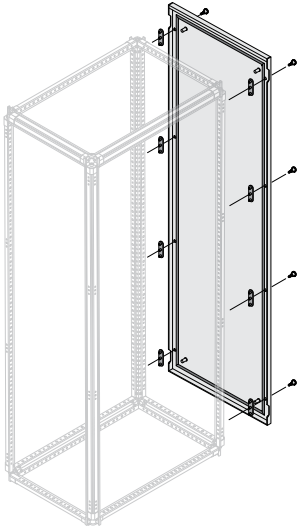
Description	External dimensions (mm)		Order code	ABB code	Package/ No. pcs
	H	W			
Blind front/rear panel	1900	350	PPEB1825	1STQ007576A0000	1/1
Blind front/rear panel	1900	600	PPEB1856	1STQ007579A0000	1/1
Blind front/rear panel	1900	850	PPEB1875	1STQ007582A0000	1/1
Blind front/rear panel	1900	1100	PPEB1816	1STQ007585A0000	1/1
Blind front/rear panel W=1250mm	Left	1900	PPLB1826	1STQ002290B0000	1/1
	Right	1900	PPRB1826	1STQ002292B0000	1/1
Blind front/rear panel	2200	350	PPEB2125	1STQ007599A0000	1/1
Blind front/rear panel	2200	600	PPEB2156	1STQ002287B0000	1/1
Blind front/rear panel	2200	850	PPEB2175	1STQ007603A0000	1/1
Blind front/rear panel	2200	1100	PPEB2116	1STQ002284B0000	1/1
Blind front/rear panel W=1250mm	Left	2200	PPLB2126	1STQ002291B0000	1/1
	Right	2200	PPRB2126	1STQ002293B0000	1/1

# System pro E power

## Empty enclosures for CombiLine N and 185 mm Busbar System

### Order codes

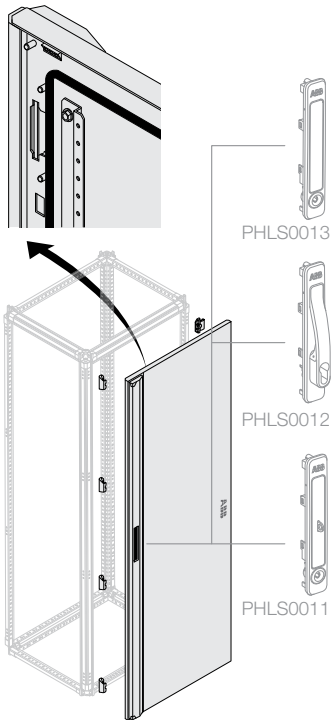
2



#### External blind side panel IP55

Pickled sheet steel with gasket and plugs IP55. The code refers to one single side panel.

Description	External dimensions H (mm)		Delivered in kit		Delivered assembled	Package/ No. pcs
	H	D	Order code	ABB code	ABB code	
Blind side panel	1900	300	PPEB1826	1STQ007575A0000	1STQ001246M0000	1/1
Blind side panel	1900	400	PPEB1836	1STQ007577A0000	1STQ001247M0000	1/1
Blind side panel	1900	600	PPEB1856	1STQ007579A0000	1STQ001244M0000	1/1
Blind side panel	1900	800	PPEB1876	1STQ007581A0000	1STQ001248M0000	1/1
Blind side panel	2200	300	PPEB2126	1STQ002285B0000	1STQ001249M0000	1/1
Blind side panel	2200	400	PPEB2136	1STQ002286B0000	1STQ001250M0000	1/1
Blind side panel	2200	600	PPEB2156	1STQ002287B0000	1STQ001245M0000	1/1
Blind side panel	2200	800	PPEB2176	1STQ002288B0000	1STQ001251M0000	1/1



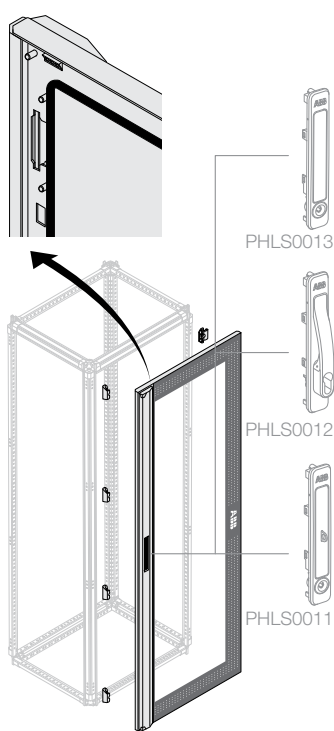
#### Blind door IP55 (without lever)

Pickled sheet steel with gasket. Opens through 135° (single column), 105° for 2+ side by side columns. Complete with 4 hinges to be screwed onto the uprights, 4 door closing brackets. Doors can be mounted both on the front and on the back of the enclosures. Can be hanged on both, left and right side. Reinforcing tubes for W>400mm.

Description	External dimensions (mm)		Delivered in kit		Delivered assembled	Package/ No. pcs
	H	W	Order code	ABB code		
Blind door	1900	350	PDNB1826	1STQ002263B0000	1STQ001252M0000	1/1
Blind door	1900	600	PDNB1856	1STQ002264B0000	1STQ001253M0000	1/1
Blind door	1900	850	PDNB1876	1STQ002265B0000	1STQ001254M0000	1/1
Blind door	1900	1100	PDNB1816	1STQ002262B0000	1STQ001255M0000	1/1
Blind door W=1000mm*	1900	550	PDLB8126	1STQ002259B0000	1STQ001256M0000	1/1
		550	PDNB8506	1STQ002271B0000	1STQ001257M0000	1/1
Blind door W=1250mm*	1900	550	PDLB8126	1STQ002259B0000	1STQ001256M0000	1/1
		800	PDNB8406	1STQ002270B0000	1STQ001258M0000	1/1
Blind door	2200	350	PDNB2126	1STQ002267B0000	1STQ001259M0000	1/1
Blind door	2200	600	PDNB2156	1STQ002268B0000	1STQ001260M0000	1/1
Blind door	2200	850	PDNB2176	1STQ002269B0000	1STQ001261M0000	1/1
Blind door	2200	1100	PDNB2116	1STQ002266B0000	1STQ001262M0000	1/1
Blind door W=1000mm*	2200	550	PDLB1126	1STQ002258B0000	1STQ001263M0000	1/1
		550	PDNB1506	1STQ002261B0000	1STQ001264M0000	1/1
Blind door W=1250mm*	2200	550	PDLB1126	1STQ002258B0000	1STQ001263M0000	1/1
		800	PDNB1406	1STQ002260B0000	1STQ001265M0000	1/1

\* for 1000/1250mm width configurations ordered PDLB... + PDNB...

Handles to be ordered separately, see page 2/21.



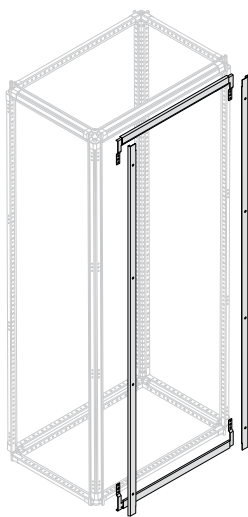
### Glazed door IP55 (without lever)

Pickled sheet steel with gasket. Opens through 135° (single column), 105° for 2+ side by side columns. Complete with 4 hinges to be screwed onto the uprights, 4 door closing brackets. Doors can be mounted both on the front and on the back of the enclosures. Can be hinged on both, left and right side. Without reinforcing tubes.

Description	External dimensions (mm)		Delivered in kit		Delivered assembled	Package/ No. pcs
	H	W	Order code	ABB code		
Glazed door	1900	600	PDNG1856	1STQ002275B0000	1STQ001266M0000	1/1
Glazed door	1900	850	PDNG1876	1STQ002276B0000	1STQ001267M0000	1/1
Glazed door	1900	1100	PDNG1816	1STQ002274B0000	1STQ001268M0000	1/1
Glazed door W=1100mm*	1900	550	PDLG8126	1STQ007312A0000	1STQ001269M0000	1/1
		550	PDNG8506	1STQ002281B0000	1STQ001270M0000	1/1
Glazed door W=1350mm*	1900	550	PDLG8126	1STQ007312A0000	1STQ001269M0000	1/1
		800	PDNG8406	1STQ002280B0000	1STQ001271M0000	1/1
Glazed door	2200	600	PDNG2156	1STQ002278B0000	1STQ001272M0000	1/1
Glazed door	2200	650	PDNG2176	1STQ002279B0000	1STQ001273M0000	1/1
Glazed door	2200	1100	PDNG2116	1STQ002277B0000	1STQ001274M0000	1/1
Glazed door W=1100mm*	2200	550	PDLG1126	1STQ002547B0000	1STQ001275M0000	1/1
		550	PDNG1506	1STQ002273B0000	1STQ001276M0000	1/1
Glazed door W=1350mm*	2200	550	PDLG1126	1STQ002547B0000	1STQ001275M0000	1/1
		800	PDNG1406	1STQ002272B0000	1STQ001277M0000	1/1

\* for 1100/1250mm width configurations ordered PDLG.... + PDNG....

Handles to be ordered separately, see page 2/21.



### Horizontal/vertical front closing profiles IP30

Pickled sheet painted RAL 7012 for applications without external door.

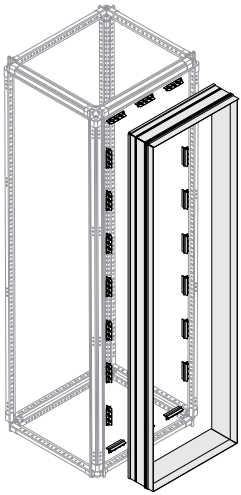
Description	External dimensions H (mm)		Delivered in kit		Delivered assembled	Package/ No. pcs
	H	W	Order code	ABB code		
<b>Finishing profiles vertical structure</b>						
No.2 profiles	1900		PPFV1800	1STQ008059A0000	1STQ001278M0000	1/2
No.2 profiles	2200		PPFV2100	1STQ002289B0000	1STQ001279M0000	1/2
<b>Finishing profiles horizontal structure</b>						
No.2 profiles		350	PPFH0250	1STQ009378A0000	1STQ001280M0000	1/2
No.2 profiles		600	PPFH0500	1STQ009416A0000	1STQ001281M0000	1/2
No.2 profiles		850	PPFH0750	1STQ009398A0000	1STQ001282M0000	1/2
No.2 profiles		1100	PPFH1000	1STQ008057A0000	1STQ001283M0000	1/2
No.2 profiles		1350	PPFH1250	1STQ008058A0000	1STQ001284M0000	1/2

# System pro E power

## Empty enclosures for CombiLine N and 185 mm Busbar System

### Order codes

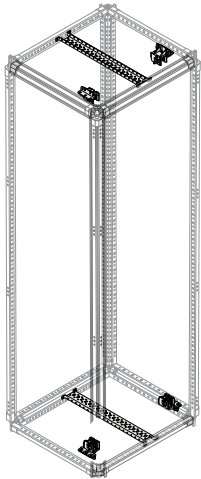
2



### Touch guard profile - dedicated solution for CombiLine N

Profile to guarantee IP30 touch protection with CombiLine N modules installed.

Description	External dimensions H (mm)		Delivered in kit		Delivered assembled	Package/ No. pcs
	H	W	Order code	ABB code	ABB code	
Touch Guard profile	1900	350	PCTG1825	1STQ009368A0000	1STQ001285M0000	1/1
Touch Guard profile	1900	600	PCTG1850	1STQ009406A0000	1STQ001286M0000	1/1
Touch Guard profile	1900	850	PCTG1875	1STQ009385A0000	1STQ001287M0000	1/1
Touch Guard profile	1900	1100	PCTG1810	1STQ009928A0000	1STQ001288M0000	1/1
Touch Guard profile	1900	1350	PCTG1812	1STQ001319B0000	1STQ001289M0000	1/1
Touch Guard profile	2200	350	PCTG2125	1STQ002255B0000	1STQ001290M0000	1/1
Touch Guard profile	2200	600	PCTG2150	1STQ002256B0000	1STQ001291M0000	1/1
Touch Guard profile	2200	850	PCTG2175	1STQ002257B0000	1STQ001292M0000	1/1
Touch Guard profile	2200	1100	PCTG2110	1STQ002253B0000	1STQ001293M0000	1/1
Touch Guard profile	2200	1350	PCTG2112	1STQ002254B0000	1STQ001294M0000	1/1



### Fixing set - dedicated solution for CombiLine N

Fixed set for the installation of standard WR frame on System pro E power structure.

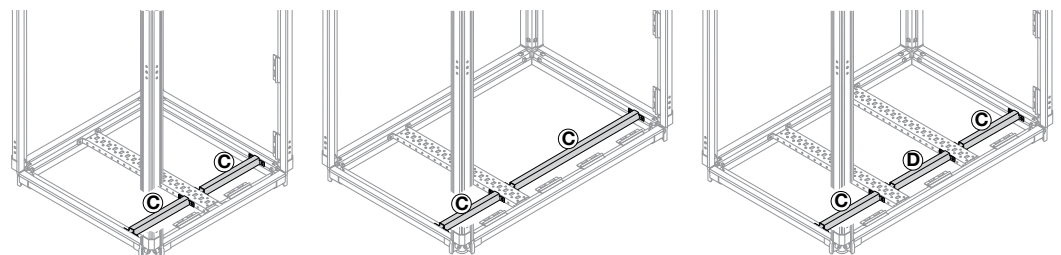
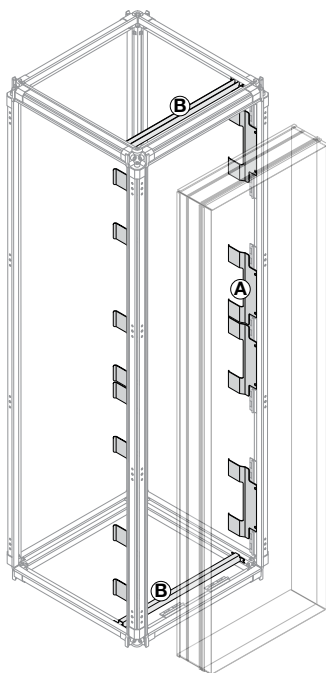
Description	Delivered in kit		Delivered assembled ABB code	Package/ No. pcs
	Order code	ABB code		
CombiLine N fixing set <sup>(1)</sup>	PBCM0004	1STQ009354A0000	1STQ001295M0000	1/4
<b>Depth support <sup>(2)</sup></b>				
No.2 Crosspieces D=300mm	PDFC0200	1STQ001929B0000	1STQ001296M0000	1/2
No.2 Crosspieces D=400mm	PDFC0300	1STQ001930B0000	1STQ001297M0000	1/2
No.2 Crosspieces D=600mm	PDFC0500	1STQ001931B0000	1STQ001298M0000	1/2
No.2 Crosspieces D=800mm	PDFC0700	1STQ001932B0000	1STQ001299M0000	1/2
No.4 WR mounting frame holder	RZ1P4	2CPX045950R9999	2CPX023978R9999	1/4

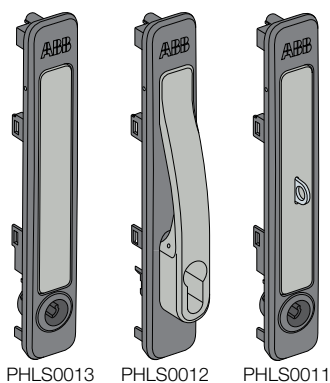
<sup>(1)</sup> It allows the fixing of WR frame at the outer position of the column.

<sup>(2)</sup> It allows the fixing of WR frame at the intermediate positions in width, PDFC.... to be ordered together with RZ1P4.

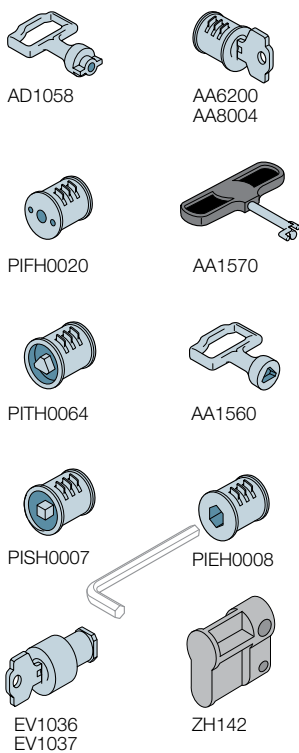
### Touchguard reinforcement

Description	Position	Panel internal width (mm)	Reinforcement position	ABB code	ABB code	Package/ No. pcs
Touchguard reinforcement	A				1STQ005560B0000	1/4
Touchguard reinforcement	B	500	Total		1STQ005561B0000	1/1
Touchguard reinforcement	B	750	Total		1STQ005562B0000	1/1
Touchguard reinforcement	C	250	Side		1STQ005563B0000	1/1
Touchguard reinforcement	D	250	Central		1STQ005564B0000	1/1
Touchguard reinforcement	C	500	Side		1STQ005565B0000	1/1
Touchguard reinforcement	D	500	Central		1STQ005566B0000	1/1
Touchguard reinforcement	C	750	Side		1STQ005567B0000	1/1
Touchguard reinforcement	D	750	Central		1STQ005568B0000	1/1





PHL0013 PHL0012 PHL0011



### Levers and inserts

The lever is not included in the door's code, it must be always ordered in addition to the door. The inserts are interchangeable and can be easily replaced.

Description	Delivered in kit		Delivered assembled ABB code	Package/ No. pcs
	Order code	ABB code		
<b>Handle</b>				
Lever handle <sup>(1)</sup>	PHL0013	1STQ002334B0000	1STQ001300M0000	1/1
Lever semicylinder inserts (40mm)	PHL0012	1STQ002283B0000	1STQ001301M0000	1/1
Padlockable lever handle <sup>(2)</sup>	PHL0011	1STQ002282B0000	1STQ001302M0000	1/1
<b>Inserts and keys that can be fitted into PHL0013, PHL0011</b>				
Yale insert+key for external door, single door version	AA6200	1STQ009135A0000		1/1
E739 ronis insert+key for external door, single door version	AA8004	1STQ009136A0000		1/1
FIAT type insert for lever handle	PIFH0020	1STQ008122A0000		1/1
FIAT key	AA1570	1STQ009137A0000		1/1
6.4 triangular male insert on Ø 7.6 for external door, single door version	PITH0064	1STQ008119A0000		1/1
Key for triangular insert	AA1560	1STQ009138A0000		1/1
7 square male insert for external door, single door version	PISH0007	1STQ008120A0000		1/1
Insert 8mm hex socket type for standard handle (Key not available)	PIEH0008	1STQ008121A0000		1/1
Double tab insert for closing handle/box (spare) <sup>(3)</sup>	PIDH0010	1STQ008118A0000		1/1
Key zama for double tab insert (spare) <sup>(4)</sup>	AD1058	1STQ009134A0000		1/1
Ronis 405 insert and key for standard handle	PIRH0405	1STQ008123A0000		1/1
Ronis insert 2432 and key for standard handle	PIRH2432	1STQ002030B0000		1/1
Ronis 455 insert and key for standard handle	PIRH0455	1STQ008124A0000		1/1
Ronis 1242 insert and key for standard handle	PIRH1242	1STQ008125A0000		1/1
<b>Insert that can be fitted into PHL0012</b>				
Dummy insert (instead of a semi-cylinder)	ZH142	2CPX060502R9999		1/1

<sup>(1)</sup> The lever can be operated only using the key. With 3 mm double bit insert included.

<sup>(2)</sup> For padlok up to 8 mm diameter. With 3 mm double bit insert included.

<sup>(3)</sup> This insert is the one already included in PHL0013 and PHL0011.

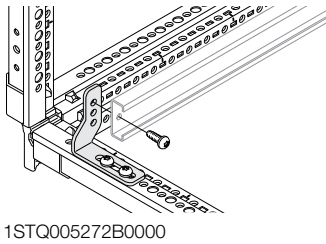
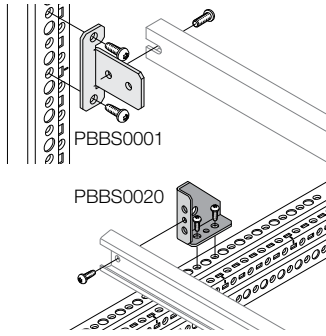
<sup>(4)</sup> This key is the one already included in PHL0013 and PHL0011.

# System pro E power

## Empty enclosures for CombiLine N and 185 mm Busbar System

### Order codes

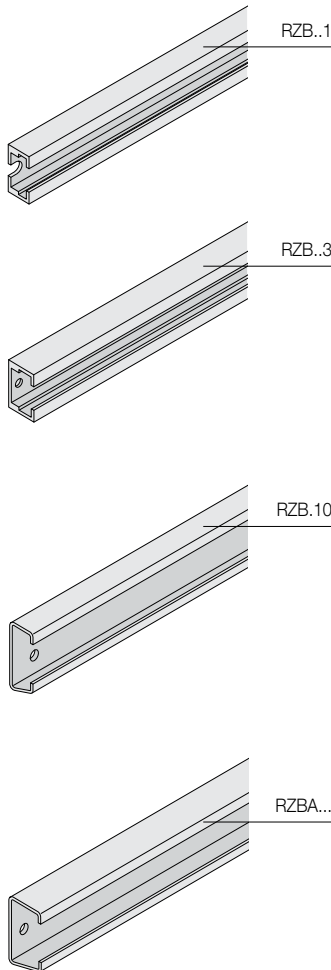
2



### Brackets to fix profile rails

Description	Order code	ABB code	Package/ No. pcs
No.2 brackets for profiles type RZ... and XZ3..	PBBS0001	1STQ002146B0000	1/2
No.2 brackets for profiles only for type XZ3..	PBBS0020	1STQ002333B0000	1/2
No.2 brackets for profiles type RZBA....		1STQ005272B0000	1/2

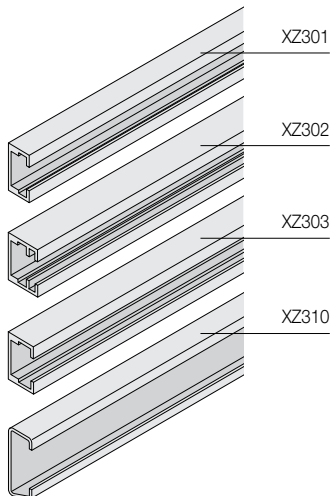
### Profile rails that can be mounted with PBBS0001



Description	Order code	ABB code	Package/ No. pcs
<b>Width profile rail no. 1 - 25 x 14mm for mounting between cabinet profiles</b>			
Cabinet width 1 - 250 mm	RZB11	2CPX046021R9999	1/1
Cabinet 2 panel wide - 500 mm	RZB21	2CPX046022R9999	1/1
Cabinet 3 panel wide - 750 mm	RZB31	2CPX046023R9999	1/1
Cabinet 4 panel wide - 1000 mm	RZB41	2CPX046024R9999	1/1
Cabinet 5 panel wide - 1250 mm	RZB51	2CPX046025R9999	1/1
<b>Depth profile rail no. 3 - 32 x 25 mm for mounting between cabinet profiles</b>			
Cabinet depth 200 mm	RZT33	2CPX046026R9999	1/1
Cabinet depth 300 mm	RZT43	2CPX046027R9999	1/1
Cabinet depth 500 mm	RZT63	2CPX046028R9999	1/1
Cabinet depth 700 mm	RZT83	2CPX046029R9999	1/1
<b>Width profile rail no. 3 - 32 x 25 mm for mounting between cabinet profiles</b>			
Cabinet width 1 - 250 mm	RZB13	2CPX046030R9999	1/1
Cabinet 2 panel wide - 500 mm	RZB23	2CPX046031R9999	1/1
Cabinet 3 panel wide - 750 mm	RZB33	2CPX046032R9999	1/1
Cabinet 4 panel wide - 1000 mm	RZB43	2CPX046033R9999	1/1
Cabinet 5 panel wide - 1250 mm	RZB53	2CPX046034R9999	1/1
<b>Depth profile rail no. 10 - 35 x 19 mm for mounting between cabinet profiles</b>			
Cabinet depth 200 mm	RZT310	2CPX046035R9999	1/1
Cabinet depth 300 mm	RZT410	2CPX046036R9999	1/1
Cabinet depth 500 mm	RZT610	2CPX046037R9999	1/1
Cabinet depth 700 mm	RZT810	2CPX046038R9999	1/1
<b>Width profile rail no. 10 - 35 x 19 mm for mounting between cabinet profiles</b>			
Cabinet width 1 - 250 mm	RZB110	2CPX046039R9999	1/1
Cabinet 2 panel wide - 500 mm	RZB210	2CPX046040R9999	1/1
Cabinet 3 panel wide - 750 mm	RZB310	2CPX046041R9999	1/1
Cabinet 4 panel wide - 1000 mm	RZB410	2CPX046042R9999	1/1
Cabinet 5 panel wide - 1250 mm	RZB510	2CPX046043R9999	1/1

### Profile rails that can be mounted with 1STQ005272B0000

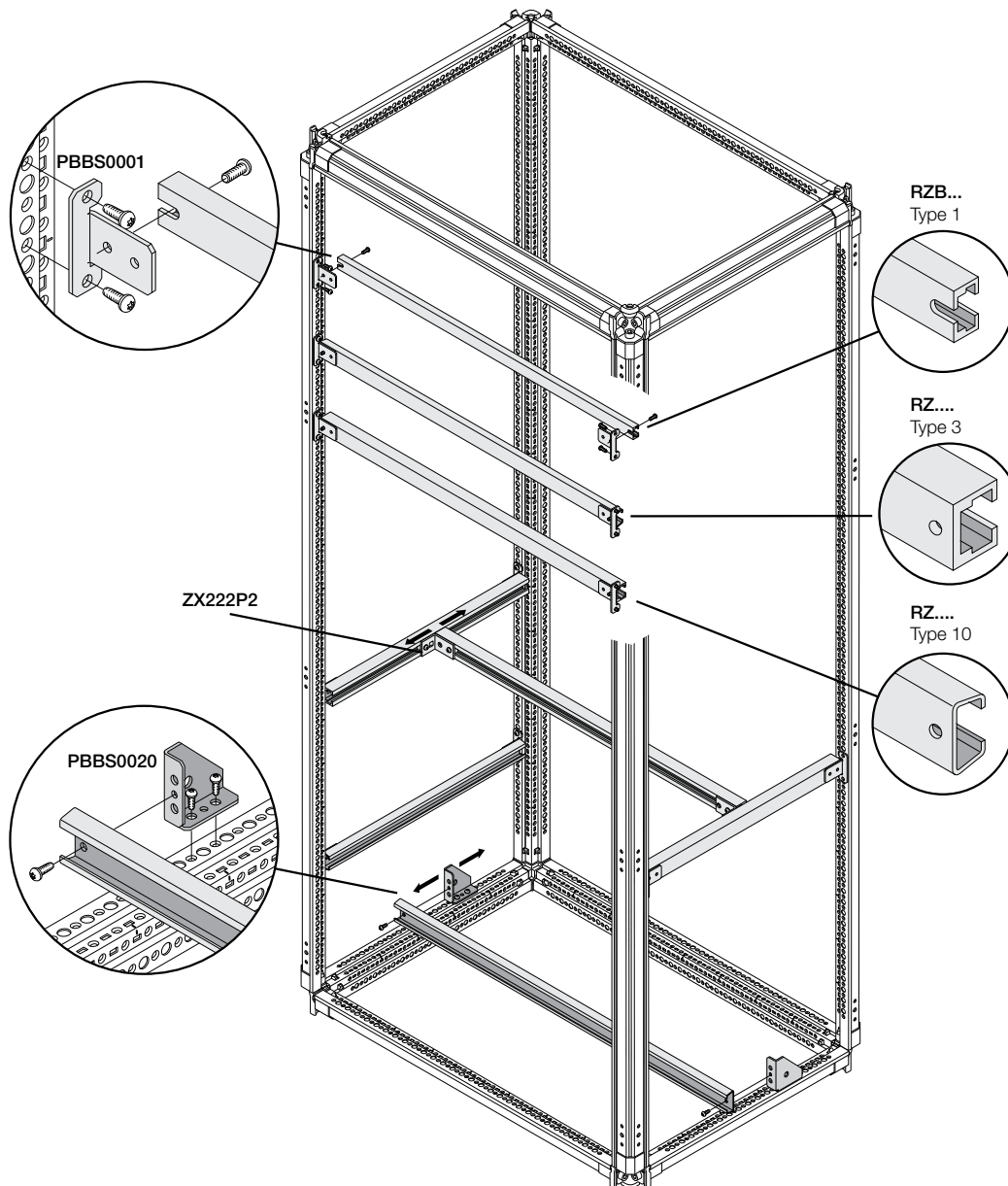
<b>Width profile rail no. 10 - 35 x 19 mm for mounting on</b>			
Cabinet width 1 - 250 mm	RZBA110	2CPX046049R9999	1/1
Cabinet 2 panel wide - 500 mm	RZBA210	2CPX046050R9999	1/1
Cabinet 3 panel wide - 750 mm	RZBA310	2CPX046051R9999	1/1
Cabinet 4 panel wide - 1000 mm	RZBA410	2CPX046052R9999	1/1
Cabinet 5 panel wide - 1250 mm	RZBA510	2CPX046053R9999	1/1



**Profile rails (to be cut) that can be mounted with PBBS0001, PBBS0020 and 1STQ005272B0000**

Description	Order code	ABB code	Package/ No. pcs
<b>By the metre, 6 m supply length</b>			
Profile rail no.1 - 25 x 14 mm	XZ301	2CPX060601R9999	1/1
Profile rail no. 2 - 25 x 20 mm	XZ302	2CPX060602R9999	1/1
Profile rail no. 3 - 32 x 25 mm	XZ303	2CPX060603R9999	1/1
Profile rail no.10 - 35 x 19 mm	XZ310	2CPX060610R9999	1/1

**Example of use brackets and crosspieces**



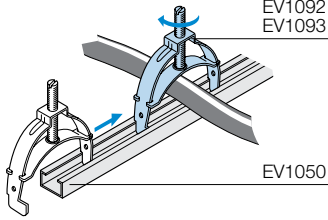
# System pro E power

## Empty enclosures for CombiLine N and 185 mm Busbar System

### Order codes

2

EV1090  
EV1091  
EV1092  
EV1093



### Brackets for anchoring cables

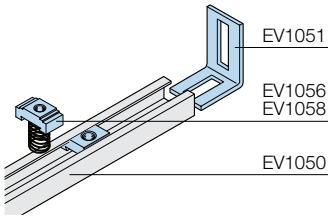
Adjustable cable blocking bracket can be mounted on sections with 10mm slot EV1050.

Description	Code		Package/ No. of pieces
No.10 cable blocking brackets min÷max ø 9÷16mm	EV1090	1STQ000999A0000	1/10
No.10 cable blocking brackets min÷max ø 16÷30mm	EV1091	1STQ001000A0000	1/10
No.5 cable blocking brackets min÷max ø 30÷48mm	EV1092	1STQ001001A0000	1/5
No.5 cable blocking brackets min÷max ø 48÷72mm	EV1093	1STQ001002A0000	1/5

EV1051

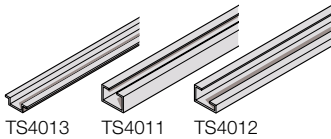
EV1056  
EV1058

EV1050



### Aluminium sliding guides for universal uses

Description	Code		Package/ No. of pieces
No.10 aluminium supporting sections 30x15 – W=2000mm	EV1050	1STQ000981A0000	1/10
No.25 fixing brackets for EV1050	EV1051	1STQ000982A0000	1/25
No.100 aluminium M6 nuts for EV1050	EV1056	1STQ000983A0000	1/100
No.100 aluminium M8 nuts for EV1050	EV1058	1STQ000984A0000	1/100

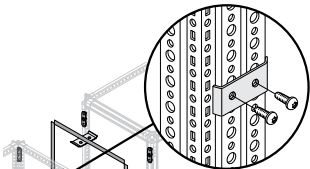


TS4013 TS4011 TS4012

### Profiles for accessories

Universal profiles of different types for mounting any component or for cable locking.

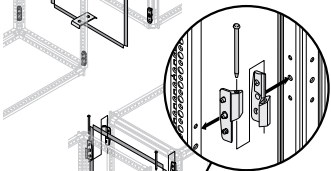
Description	Dimensions (mm)		ABB code	Package/ No.pcs
	L			
No. 2 EN sections 5002 C30	2000	TS4011	1STQ008211A0000	1/2
No. 2 EN sections G32	2000	TS4012	1STQ008212A0000	1/2
No. 2 DIN EN sections 5022 35x7.5	2000	TS4013	1STQ008213A0000	1/2



### Kit for joining structures

The kit for joining structures is composed by different brackets and a gasket for the maintenance of the IP protection degree and allows both a side-by-side and a back-to-back joining of structures.

Description	Order code	ABB code	Package/ No. pcs
Kit for joining structures side by side / back to back	PSBS0065	1STQ008113A0000	1/8
Kit for joining corner structures	PSCS0579	1STQ009185A0000	1/12

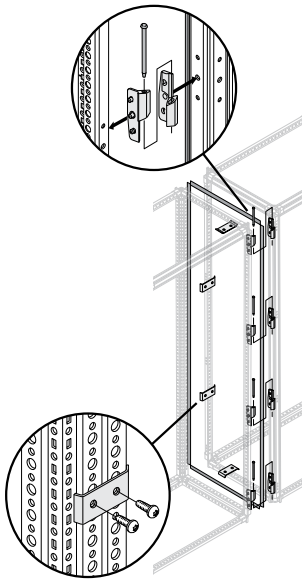


### External kit for joining structures

The kit for joining structures is composed of different brackets and a gasket for the maintenance of the IP protection degree and allows both a side-by-side and a back-to-back joining of structures.

Description	Order code	ABB code	Package/ No. pcs
External kit for joining structures	PSSES0008	1STQ001589B0000	1/16





### Mixed kit for joining structures

The kit for joining structures is composed of different brackets and a gasket for the maintenance of the IP protection degree and allows both a side-by-side and a back-to-back joining of structures with front access.

Description	Order code	ABB code	Package/ No. pcs
Mixed kit for joining structures		1STQ005273B0000	1/16

### Eyebolts for lifting

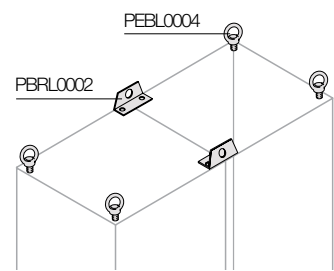
Allow wired switchboards to be lifted. Made of steel treated with a white passivated galvanizing process.

Description	Order code	ABB code	Package/ No. pcs
No.4 steel M12 eyebolts	PEBL0004	1STQ008112A0000	1/4

### Lifting reinforcements

Used for handling several adjacent switchboards.

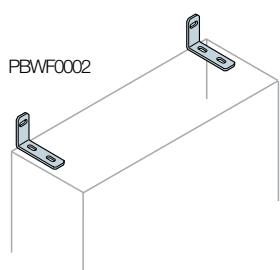
Description	Order code	ABB code	Package/ No. pcs
No.2 lifting reinforcements for adjacent switchboards	PBRL0002	1STQ008116A0000	1/2



### Wall-mounting brackets

Allow the switchboards to be fixed to a wall

Description	Order code	ABB code	Package/ No. pcs
No.2 wall-mounting brackets	PBWF0002	1STQ008115A0000	1/2



### Screws

Description	Order code	ABB code	Package/ No. pcs
No.1000 self-perforating 4.2x13mm cross-head screws	EV1100	1STQ001005A0000	1/1000
No.1000 self-perforating 4.2x19mm cross-head screws	EV1101	1STQ001006A0000	1/1000
No.24 screws Torx 30 for side/rear panels	PSCP0024	1STQ009182A0000	1/24
No.24 screws Torx 30 1/4 turn with washers	PCSS0024	1STQ009183A0000	1/24
No.20 M5 Torx screws and nylon washers L=16mm	EV0103	1STQ006608A0000	1/20
No.20 M6 Torx screws and nylon washers L=16mm	EV0104	1STQ006609A0000	1/20

### Axial screws for uprights

Axial screws for 3 way joint uprights.

Description	Order code	ABB code	Package/ No. pcs
No.16 axial screws for uprights	PSAF0016	1STQ008110A0000	1/16



### Hinges for standard doors

Description	Order code	ABB code	Package/ No. pcs
No.4 hinges for standard door	PHDR0004	1STQ009159A0000	1/4
No.4 180° opening hinges	PHFR4180	1STQ009158A0000	1/4

# System pro E power

## Empty enclosures for top busbars system

### General information

An extended range of switchgear enclosures with two heights, six widths (functional widths 300, 400, 600, 800, 1000 and 1250 mm) and five depths (functional depths 200, 300, 500, 700 and 900 mm) that provides unlimited possibilities.

Selected accessories make it easy to realize all your custom solutions: CombiLine modules for flexibility in the mounting of devices, crosspieces in different sizes accompanied by dedicated brackets for fixing in any position and flanges for optimum cable entry.



Compliance with Standard		IEC 62208
Approvals		LOVAG
Vibration test		-
Seismic withstand capability test		-
Conditions of installation		Indoor installation
Ambient temperature, average value 24h		-
Ambient temperature, maximum value		-
Ambient temperature, minimum value		-
Pollution degree		3
Protection class		I (earthed)
Rated current $I_n$		-
Rated short-time withstand current $I_{cw}$		-
Rated peak short-circuit current $I_{pk}$		-
Rated service voltage $U_e$		1000V AC - 1500V DC
Rated insulation voltage $U_i$		1000V AC - 1500V DC
Rated frequency		50-60Hz
Rated impulse withstand voltage $U_{imp}$		-
IP protection class		IP30, IP31, IP40, IP41, IP55
Painting	Enclosure	RAL 7035
	Plinth	RAL 7012
Protection against mechanical impact IEC62262	Glazed door	IK09
	Blind door	IK10
Functional dimensions. External dimension = functional dimensions + 100mm (see more details in overall dimensions chapter).	Height (mm) without plinth	1800, 2000
	(+100, 200, 300 mm with plinth)	
	Width (mm)	300, 400, 600, 800, 1000, 1250
	Depth (mm)	200, 300, 500, 700, 900

## Accessories for free construction

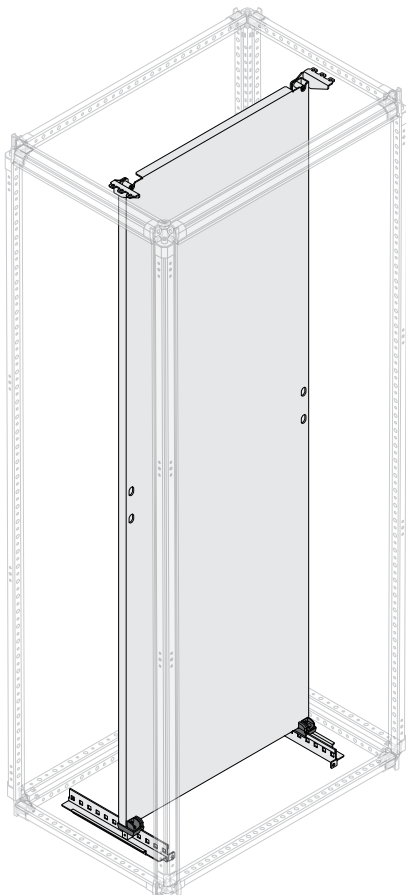
### BRACKETS AND CROSSPIECES

Various crosspieces, brackets and parts available for the realization of custom assemblies.



### BLIND MOUNTING PLATES

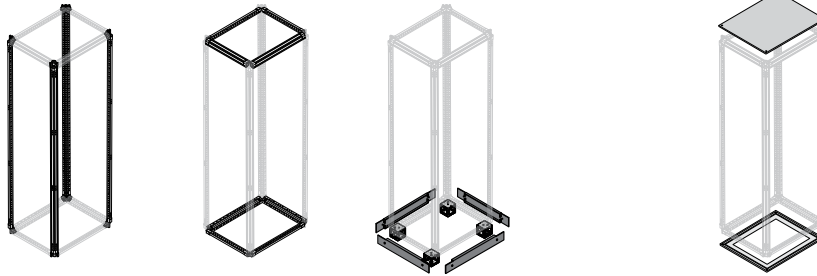
Wide range of modules for all power distribution devices and applications up to 800A.



# System pro E power

## Empty enclosures for top busbars system

### Selection guide H=1800mm



2

Functional dimensions		External * dimensions		FRAME							EXTERNAL COVERS							
Height 1800mm	W (mm)	D (mm)	Height 1900mm	W * (mm)	D * (mm)	Uprights	Structure crosspieces		H=100mm plinth			Top/bottom panels						
						Galvanized sheet metal	Front/Rear	Sides	Galvanized sheet metal	Angle pieces	Plinth flanges	Front/Rear	Sides	Top/Bottom Blind	IP30 <sup>(1)</sup> IP40 <sup>(1)</sup>	Open <sup>(2)</sup>	Bottom Without plinth	
300	400	200	300	400	600	PCFM0300	PCFM0200	PCFM0300	PPAM0100	PPFM1030	PPFM1020	PTBB3026	PTBB3020	PTBO3020	PBWP3020			
		300									PPFM1030	PTBB3036	PTBB3030	PTBO3030	PBWP3030			
		500									PPFM1050	PTBB3056	PTBB3050	PTBO3050	PBWP3050			
		700									PPFM1070	PTBB3076	PTBB3070	PTBO3070	PBWP3070			
		900									PPFM1090	PTBB3096	PTBB3090	PTBO3090	PBWP3090			
400	500	200	300	500	600	PCFM0400	PCFM0200	PCFM0300	PPAM0100	PPFM1040	PPFM1020	PTBB4026	PTBB4020	PTBO4020	PBWP4020			
		300									PPFM1030	PTBB4036	PTBB4030	PTBO4030	PBWP4030			
		500									PPFM1050	PTBB4056	PTBB4050	PTBO4050	PBWP4050			
		700									PPFM1070	PTBB4076	PTBB4070	PTBO4070	PBWP4070			
		900									PPFM1090	PTBB4096	PTBB4090	PTBO4090	PBWP4090			
600	700	200	300	700	600	PCFM0600	PCFM0200	PCFM0300	PPAM0100	PPFM1060	PPFM1020	PTBB6026	PTBB6020	PTBO6020	PBWP6020			
		300									PPFM1030	PTBB6036	PTBB6030	PTBO6030	PBWP6030			
		500									PPFM1050	PTBB6056	PTBB6050	PTBO6050	PBWP6050			
		700									PPFM1070	PTBB6076	PTBB6070	PTBO6070	PBWP6070			
		900									PPFM1090	PTBB6096	PTBB6090	PTBO6090	PBWP6090			
800	900	200	300	900	600	PCFM0800	PCFM0200	PCFM0300	PPAM0100	PPFM1080	PPFM1020	PTBB8026	PTBB8020	PTBO8020	PBWP8020			
		300									PPFM1030	PTBB8036	PTBB8030	PTBO8030	PBWP8030			
		500									PPFM1050	PTBB8056	PTBB8050	PTBO8050	PBWP8050			
		700									PPFM1070	PTBB8076	PTBB8070	PTBO8070	PBWP8070			
		900									PPFM1090	PTBB8096	PTBB8090	PTBO8090	PBWP8090			
1000	1100	200	300	1100	600	PCFM1000	PCFM0200	PCFM0300	PPAM0100	PPFM1010	PPFM1020	PTBB1026	PTBB1020					
		300									PPFM1030	PTBB1036	PTBB1030	PTBO1030	PBWP1030			
		500									PPFM1050	PTBB1056	PTBB1050	PTBO1050	PBWP1050			
		700									PPFM1070	PTBB1076	PTBB1070	PTBO1070	PBWP1070			
		900									PPFM1090	PTBB1096	PTBB1090	PTBO1090	PBWP1090			
1250	1350	200	300	1350	1000	PCFM1250	PCFM0200		PPAM0100 + PPIPM0100	PPFM1250	PPFM1020		PTBB1220					
		900					PCFM0900				PPFM1090		PTBB1290	PTBO1290	PBWP1290			

\* The external dimensions include the H=100mm plinth and the panels.

<sup>(1)</sup> In order to reach IPX1 protection degree it is necessary to add the proper top sealing kit, page 2/22.

<sup>(2)</sup> Use the dedicated incoming cable flanges to obtain protection class IP55.

Cables franges page 2/28.

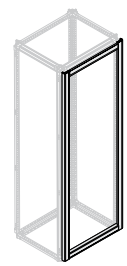
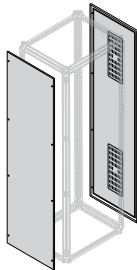
<sup>(3)</sup> Right rear panel for structures W=1250mm.

<sup>(4)</sup> Left rear panel for structures W=1250mm.

<sup>(5)</sup> Door with overlapping for the double door version.

<sup>(6)</sup> Door with handle for the double door version.

<sup>(7)</sup> Finishing profile vertical internal cable compartment.



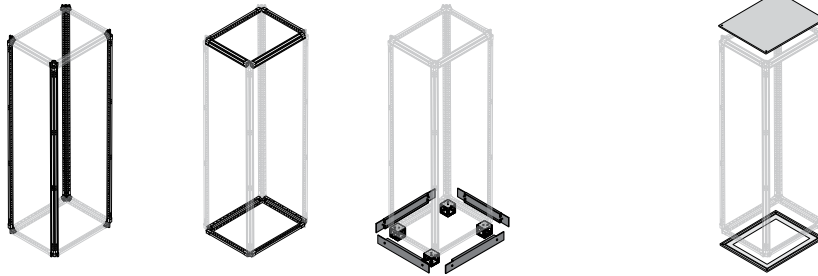
Front/side panels

Rear panel			Side panel			Glass door 12/24 36/48 mod. DIN		Glass door 12/24/36 mod. DIN + internal cable compartment				Blind door 12/24 36/48 mod. DIN		Finishing profile IP30	
Blind	Vented		Blind	Vented		IP55	IP40 <sup>(1)</sup>	Cable comp. W=200 IP55	Cable comp. W=400 IP55	Cable comp. W=200 IP40 <sup>(1)</sup>	Cable comp. W=400 IP40 <sup>(1)</sup>	IP55	IP40 <sup>(1)</sup>	Vertic.	Horiz.
	IP55	IP30 <sup>(1)</sup>		IP30 <sup>(1)</sup>	IP55										
PPEB1836			PPEB1826	PPEB1820											
			PPEB1836	PPEB1830	PPEA1830										
			PPEB1856	PPEB1850	PPEA1850										
			PPEB1876	PPEB1870	PPEA1870										
			PPEB1896	PPEB1890	PPEA1890										
PPEB1846			PPEB1826	PPEB1820		PDLG1846	PDLG1840					PDLB1846	PDLB1840		PPFH0400
			PPEB1836	PPEB1830	PPEA1830										
			PPEB1856	PPEB1850	PPEA1850										
			PPEB1876	PPEB1870	PPEA1870										
			PPEB1896	PPEB1890	PPEA1890										
PPEB1866			PPEB1826	PPEB1820		PDLG1866	PDLG1860	PDLG1842		PDLG8420		PDLB1866	PDLB1860		PPFH0600
			PPEB1836	PPEB1830	PPEA1830										
			PPEB1856	PPEB1850	PPEA1850										
			PPEB1876	PPEB1870	PPEA1870										
			PPEB1896	PPEB1890	PPEA1890										
PPEB1886			PPEB1826	PPEB1820		PDLG1886	PDLG1880	PDLG1862	PDLG1844	PDLG8620	PDLG8440	PDLB1886	PDLB1880		PPFH0800
			PPEB1836	PPEB1830	PPEA1830										
			PPEB1856	PPEB1850	PPEA1850										
			PPEB1876	PPEB1870	PPEA1870										
			PPEB1896	PPEB1890	PPEA1890										
PPEB1816				PPEB1820		PDLG1816	PDLG1810	PDLG1882	PDLG1864	PDLG8820	PDLG8640	PDLB1816	PDLB1810		PPFH1000
			PPEB1836	PPEB1830	PPEA1830										
			PPEB1856	PPEB1850	PPEA1850										
			PPEB1876	PPEB1870	PPEA1870										
			PPEB1896	PPEB1890	PPEA1890										
	PPRB1820 <sup>(8)</sup> PPLB1820 <sup>(4)</sup>			PPEB1820			PDLB8120 <sup>(6)</sup> PDLB8500 <sup>(6)</sup>						PDLB8120 <sup>(6)</sup> PDLB8500 <sup>(6)</sup>	PPFV1800 PPCV1800 <sup>(7)</sup>	PPFH1200
		PPRA1820 <sup>(8)</sup> PPLA1820 <sup>(4)</sup>		PPEB1890	PPEA1890										

# System pro E power

## Empty enclosures for top busbars system

### Selection guide H=2000mm



2

Functional dimensions		External dimensions *		FRAME						EXTERNAL COVERS																												
Height 2000mm	W (mm)	D (mm)	Height 2100mm	W * (mm)	D * (mm)	Uprights	Structure crosspieces		H=100mm plinth		Top/bottom panels																											
						Galvanized sheet metal	Front/ Rear	Sides	Angle pieces	Plinth flanges	Front/ Rear	Sides	Top/Bottom		Open <sup>(2)</sup>	Bottom Without plinth																						
													Blind	IP30 <sup>(1)</sup> IP40 <sup>(1)</sup>			IP55	IP40																				
IP55	IP30 <sup>(1)</sup> IP40 <sup>(1)</sup>	IP55	IP40	IP55	IP40																																	
300	400	200	500	400	600	PCFM0300	PCFM0200	PCFM0300	PPAM0100	PPFM1030	PPFM1020	PTBB3026	PTBB3020	PTBO3020	PBWP3020																							
		300														PCFM0500	PCFM0700	PCFM0900	PPFM1050	PTBB3056	PTBB3050	PTBO3050	PBWP3050															
		500																						PCFM0200	PCFM0300	PPAM0100	PPFM1030	PTBB4026	PTBB4020	PTBO4020	PBWP4020							
		700																														PCFM0500	PCFM0700	PPFM1050	PTBB4056	PTBB4050	PTBO4050	PBWP4050
		900																																				
400	500	200	700	500	600	PCFM0600	PCFM0200	PCFM0300	PPAM0100	PPFM1060	PPFM1020	PTBB6026	PTBB6020	PTBO6020	PBWP6020																							
		300														PCFM0500	PCFM0700	PCFM0900	PPFM1030	PTBB6036	PTBB6030	PTBO6030	PBWP6030															
		500																						PCFM0200	PCFM0300	PPAM0100	PPFM1030	PTBB8026	PTBB8020	PTBO8020	PBWP8020							
		700																														PCFM0500	PCFM0700	PPFM1050	PTBB8056	PTBB8050	PTBO8050	PBWP8050
		900																																				
600	700	200	900	600	800	PCFM0800	PCFM0200	PCFM0300	PPAM0100	PPFM1080	PPFM1020	PTBB8026	PTBB8020	PTBO8020	PBWP8020																							
		300														PCFM0500	PCFM0700	PCFM0900	PPFM1030	PTBB8036	PTBB8030	PTBO8030	PBWP8030															
		500																						PCFM0200	PCFM0300	PPAM0100	PPFM1030	PTBB1026	PTBB1020	PTBO1020	PBWP1020							
		700																														PCFM0500	PCFM0700	PPFM1050	PTBB1056	PTBB1050	PTBO1050	PBWP1050
		900																																				
800	900	200	1100	600	800	PCFM1000	PCFM0200	PCFM0300	PPAM0100	PPFM1100	PPFM1020	PTBB1026	PTBB1020	PTBO1020	PBWP1020																							
		300														PCFM0500	PCFM0700	PCFM0900	PPFM1030	PTBB1036	PTBB1030	PTBO1030	PBWP1030															
		500																						PCFM0200	PCFM0300	PPAM0100	PPFM1030	PTBB1056	PTBB1050	PTBO1050	PBWP1050							
		700																														PCFM0500	PCFM0700	PPFM1050	PTBB1076	PTBB1070	PTBO1070	PBWP1070
		900																																				
1000	1100	200	1350	600	800	PCFM1250	PCFM0200	PCFM0300	PPAM0100	PPFM1250	PPFM1020	PTBB1026	PTBB1020	PTBO1020	PBWP1020																							
		300														PCFM0500	PCFM0700	PCFM0900	PPFM1030	PTBB1036	PTBB1030	PTBO1030	PBWP1030															
		500																						PCFM0200	PCFM0300	PPAM0100	PPFM1030	PTBB1056	PTBB1050	PTBO1050	PBWP1050							
		700																														PCFM0500	PCFM0700	PPFM1050	PTBB1076	PTBB1070	PTBO1070	PBWP1070
		900																																				
1250	1350	200	1000	600	800	PCFM1250	PCFM0200	PCFM0300	PPAM0100	PPFM1250	PPFM1020	PTBB1220	PTBB1290	PTBO1290	PBWP1290																							
		900														PCFM0900	PPAM0100	PPFM1090	PTBB1096	PTBB1090	PTBO1090	PBWP1090																

\* The external dimensions include the H=100mm plinth and the panels.

<sup>(1)</sup> In order to reach IPX1 protection degree it is necessary to add the proper top sealing kit, page 2/22.

<sup>(2)</sup> Use the dedicated incoming cable flanges to obtain protection class IP55.

Cables franges page 2/28.

<sup>(3)</sup> Right rear panel for structures W=1250mm.

<sup>(4)</sup> Left rear panel for structures W=1250mm.

<sup>(5)</sup> Door with overlapping for the double door version.

<sup>(6)</sup> Door with handle for the double door version.

<sup>(7)</sup> Finishing profile vertical internal cable compartment.



Front/side panels

Rear panel			Side panel			Glass door 12/24 36/48 mod. DIN		Glass door 12/24/36 mod. DIN + internal cable compartment				Blind door 12/24 36/48 mod. DIN		Finishing profile IP30		
Blind			Blind					Cable comp. W=200						Vertic.		
IP55			IP55					IP55								
IP30 <sup>(1)</sup>			IP30 <sup>(1)</sup>					IP55								
IP40 <sup>(1)</sup>			IP40 <sup>(1)</sup>					IP55								
IP30 <sup>(1)</sup>			IP30 <sup>(1)</sup>					IP40 <sup>(1)</sup>								
IP40 <sup>(1)</sup>			IP40 <sup>(1)</sup>					IP40 <sup>(1)</sup>								
PPEB2036	PPEB2030	PPEA2030	PPEB2026	PPEB2020												
			PPEB2036	PPEB2030	PPEA2030							PDLB2036	PDLB2030			PPFH0300
			PPEB2056	PPEB2050	PPEA2050											
			PPEB2076	PPEB2070	PPEA2070											
			PPEB2096	PPEB2090	PPEA2090											
PPEB2046	PPEB2040	PPEA2040	PPEB2026	PPEB2020		PDLG2046	PDLG2040									
			PPEB2036	PPEB2030	PPEA2030							PDLB2046	PDLB2040			PPFH0400
			PPEB2056	PPEB2050	PPEA2050											
			PPEB2076	PPEB2070	PPEA2070											
			PPEB2096	PPEB2090	PPEA2090											
PPEB2066	PPEB2060	PPEA2060	PPEB2026	PPEB2020		PDLG2066	PDLG2060	PDLG2042		PDLG8420						
			PPEB2036	PPEB2030	PPEA2030							PDLB2066	PDLB2060			PPFH0600
			PPEB2056	PPEB2050	PPEA2050											
			PPEB2076	PPEB2070	PPEA2070											
			PPEB2096	PPEB2090	PPEA2090											
PPEB2086	PPEB2080	PPEA2080	PPEB2026	PPEB2020		PDLG2086	PDLG2080	PDLG2062	PDLG2044	PDLG8620	PDLG8440					
			PPEB2036	PPEB2030	PPEA2030							PDLB2086	PDLB2080			PPFH0800
			PPEB2056	PPEB2050	PPEA2050											
			PPEB2076	PPEB2070	PPEA2070											
			PPEB2096	PPEB2090	PPEA2090											
PPEB2016	PPEB2010	PPEA2010		PPEB2020		PDLG2016	PDLG2010	PDLG2082	PDLG2064	PDLG8820	PDLG8640					
			PPEB2036	PPEB2030	PPEA2030							PDLB2016	PDLB2010			PPFH1000
			PPEB2056	PPEB2050	PPEA2050											
			PPEB2076	PPEB2070	PPEA2070											
			PPEB2096	PPEB2090	PPEA2090											
	PPRB2020 <sup>(3)</sup> PPLB2020 <sup>(4)</sup>			PPEB2020			PDLB2120 <sup>(5)</sup> PDLG2500 <sup>(6)</sup>									
		PPRA2020 <sup>(3)</sup> PPLA2020 <sup>(4)</sup>		PPEB2090	PPEA2090								PDLB2120 <sup>(5)</sup> PDLB2500 <sup>(6)</sup>			PPFH1200

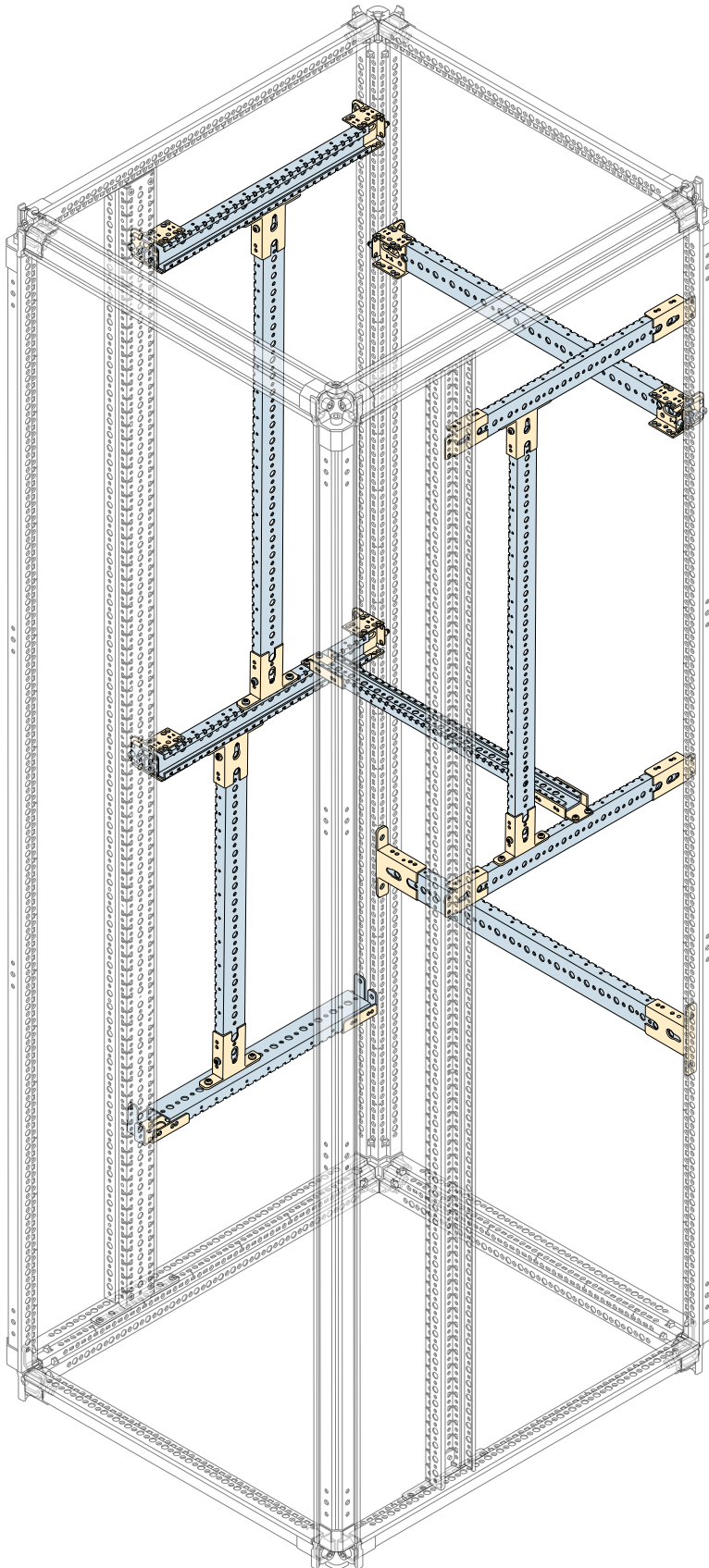
# System pro E power

## Empty enclosures for top busbars system

### Order codes

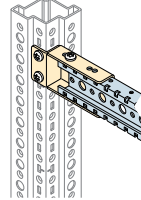
Example use of crosspieces

2

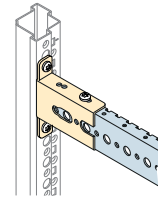


#### Fixing between uprights and crosspieces

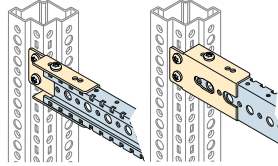
PBBV0008



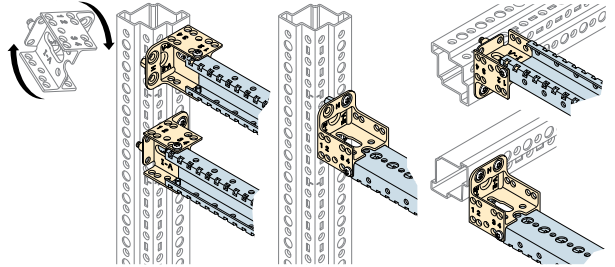
PBMC0002



PBBT0008

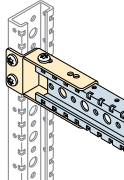


PBBU0008

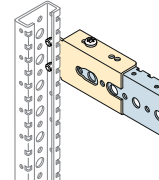


#### Fixing between crosspieces

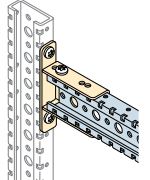
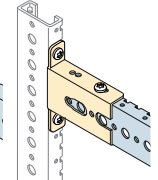
PBBV0008



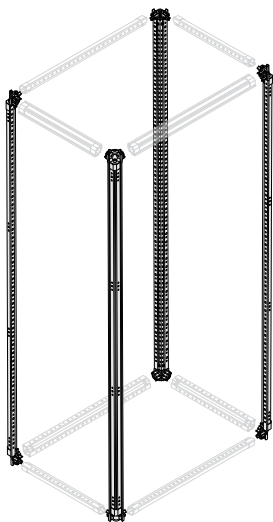
PBBT0008



PBMC0002



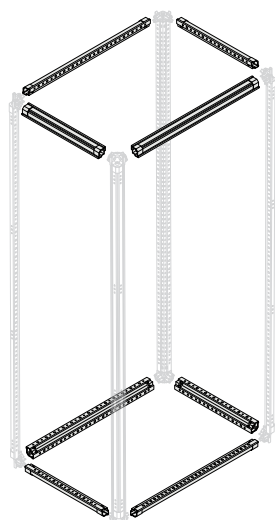




### Uprights – Galvanized sheet metal

Upright formed by a closed profile made of galvanized sheet metal. The uprights include 8 already assembled 3-way joints, 8 already assembled axial screws and 16 loose axial screws. For applications with  $I_n \leq 4000A$ .

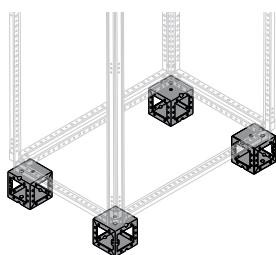
Description	Internal dimensions H (mm)	Order code	Codice ABB	Package/ No. pcs
No.4 galvanized sheet metal uprights	1800	PUPM1800	1STQ007033A0000	1/4
No.4 galvanized sheet metal uprights	2000	PUPM2000	1STQ007034A0000	1/4



### Structure crosspieces

Depth and width crosspieces for structures.

Description	Internal dimensions (mm)		Order code	ABB code	Package/ No. pcs
	W	D			
<b>Width crosspieces galvanized sheet metal</b>					
No.4 width crosspieces galvanized sheet metal	300		PCFM0300	1STQ007037A0000	1/4
No.4 width crosspieces galvanized sheet metal	400		PCFM0400	1STQ007038A0000	1/4
No.4 width crosspieces galvanized sheet metal	600		PCFM0600	1STQ007040A0000	1/4
No.4 width crosspieces galvanized sheet metal	800		PCFM0800	1STQ007042A0000	1/4
No.4 width crosspieces galvanized sheet metal	1000		PCFM1000	1STQ007043A0000	1/4
No.4 width crosspieces galvanized sheet metal	1250		PCFM1250	1STQ007044A0000	1/4
<b>Depth crosspieces galvanized sheet metal</b>					
No.4 width crosspieces galvanized sheet metal		200	PCFM0200	1STQ007045A0000	1/4
No.4 width crosspieces galvanized sheet metal		300	PCFM0300	1STQ007037A0000	1/4
No.4 width crosspieces galvanized sheet metal		500	PCFM0500	1STQ007039A0000	1/4
No.4 width crosspieces galvanized sheet metal		700	PCFM0700	1STQ007046A0000	1/4
No.4 width crosspieces galvanized sheet metal		900	PCFM0900	1STQ007047A0000	1/4



### Universal angle pieces for plinths in galvanized sheet metal

Not pre-assembled to the structure. New angle piece with high mechanical strength. Can be fixed from the outside and from the inside of the structure even at a later date. Equipped with anti-rotation system and bottom that can be transported with a transpallet.

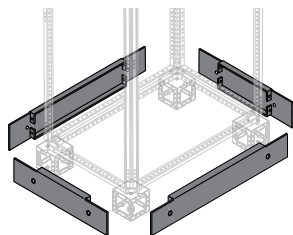
Description	Internal dimensions H (mm)	Order code	ABB code	Package/ No. pcs
No.4 plinth angle pieces	100	PPAM0100	1STQ007048A0000	1/4

# System pro E power

## Empty enclosures for top busbars system

### Order codes

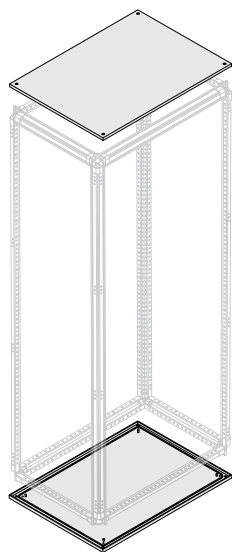
2



#### Plinth flanges

Side and front/rear plinth flanges H=100mm RAL 7012.

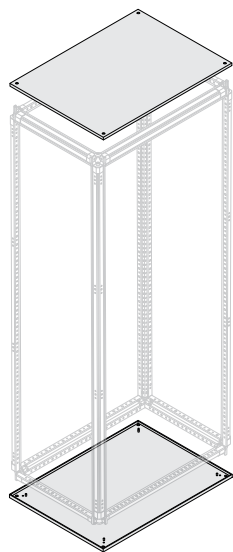
Description	Internal dimensions (mm)		Order code	ABB code	Package/ No. pcs
	W	D			
<b>Front/rear plinth flanges</b>					
No.2 plinth flanges	300		PPFM1030	1STQ007050A0000	1/2
No.2 plinth flanges	400		PPFM1040	1STQ007051A0000	1/2
No.2 plinth flanges	600		PPFM1060	1STQ007053A0000	1/2
No.2 plinth flanges	800		PPFM1080	1STQ007055A0000	1/2
No.2 plinth flanges	1000		PPFM1010	1STQ007056A0000	1/2
No.4 plinth flanges	1250		PPFM1250	1STQ007057A0000	1/4
<b>Side plinth flanges</b>					
No.2 plinth flanges		200	PPFM1020	1STQ007058A0000	1/2
No.2 plinth flanges		300	PPFM1030	1STQ007050A0000	1/2
No.2 plinth flanges		500	PPFM1050	1STQ007052A0000	1/2
No.2 plinth flanges		700	PPFM1070	1STQ007059A0000	1/2
No.2 plinth flanges		900	PPFM1090	1STQ007060A0000	1/2



#### Blind Top/Bottom IP55 – Pickled sheet steel

Pickled sheet steel with IP55 gasket. The article comprises one single component that can be used as either a top or bottom. In order to purchase both the top and the bottom, please order two quantities of the same code or two different top/bottom codes according to the desired design of the structure. The code includes four M12x20 screws.

Description	Internal dimensions (mm)		Order code	ABB code	Package/ No. pcs
	W	D			
Blind Top/Bottom IP55	300	200	PTBB3026	1STQ007074A0000	1/1
Blind Top/Bottom IP55	300	300	PTBB3036	1STQ007075A0000	1/1
Blind Top/Bottom IP55	300	500	PTBB3056	1STQ007076A0000	1/1
Blind Top/Bottom IP55	300	700	PTBB3076	1STQ007077A0000	1/1
Blind Top/Bottom IP55	300	900	PTBB3096	1STQ007078A0000	1/1
Blind Top/Bottom IP55	400	200	PTBB4026	1STQ007079A0000	1/1
Blind Top/Bottom IP55	400	300	PTBB4036	1STQ007080A0000	1/1
Blind Top/Bottom IP55	400	500	PTBB4056	1STQ007081A0000	1/1
Blind Top/Bottom IP55	400	700	PTBB4076	1STQ007082A0000	1/1
Blind Top/Bottom IP55	400	900	PTBB4096	1STQ007083A0000	1/1
Blind Top/Bottom IP55	600	200	PTBB6026	1STQ007086A0000	1/1
Blind Top/Bottom IP55	600	300	PTBB6036	1STQ007087A0000	1/1
Blind Top/Bottom IP55	600	500	PTBB6056	1STQ007088A0000	1/1
Blind Top/Bottom IP55	600	700	PTBB6076	1STQ007089A0000	1/1
Blind Top/Bottom IP55	600	900	PTBB6096	1STQ007090A0000	1/1
Blind Top/Bottom IP55	800	200	PTBB8026	1STQ007094A0000	1/1
Blind Top/Bottom IP55	800	300	PTBB8036	1STQ007095A0000	1/1
Blind Top/Bottom IP55	800	500	PTBB8056	1STQ007096A0000	1/1
Blind Top/Bottom IP55	800	700	PTBB8076	1STQ007097A0000	1/1
Blind Top/Bottom IP55	800	900	PTBB8096	1STQ007098A0000	1/1
Blind Top/Bottom IP55	1000	200	PTBB1026	1STQ009178A0000	1/1
Blind Top/Bottom IP55	1000	300	PTBB1036	1STQ007099A0000	1/1
Blind Top/Bottom IP55	1000	500	PTBB1056	1STQ007100A0000	1/1
Blind Top/Bottom IP55	1000	700	PTBB1076	1STQ007101A0000	1/1
Blind Top/Bottom IP55	1000	900	PTBB1096	1STQ007102A0000	1/1



### Blind Top/Bottom IP30, IP40 – Pickled sheet steel

Pickled sheet steel without gasket. In order to reach IPX1 protection degree it is necessary to add the proper top sealing kit, page 2/23.

The article comprises one single component that can be used as either a top or bottom. In order to purchase both the top and the bottom, please order two quantities of the same code or two different top/bottom codes according to the desired design of the structure. The code includes four M12x20 screws.

Description	Internal dimensions (mm)		Order code	ABB code	Package/ No. pcs
	W	D			
Blind Top/Bottom IP30, 40	300	200	PTBB3020	1STQ007107A0000	1/1
Blind Top/Bottom IP30, 40	300	300	PTBB3030	1STQ007108A0000	1/1
Blind Top/Bottom IP30, 40	300	500	PTBB3050	1STQ007109A0000	1/1
Blind Top/Bottom IP30, 40	300	700	PTBB3070	1STQ007110A0000	1/1
Blind Top/Bottom IP30, 40	300	900	PTBB3090	1STQ007111A0000	1/1
Blind Top/Bottom IP30, 40	400	200	PTBB4020	1STQ007112A0000	1/1
Blind Top/Bottom IP30, 40	400	300	PTBB4030	1STQ007113A0000	1/1
Blind Top/Bottom IP30, 40	400	500	PTBB4050	1STQ007114A0000	1/1
Blind Top/Bottom IP30, 40	400	700	PTBB4070	1STQ007115A0000	1/1
Blind Top/Bottom IP30, 40	400	900	PTBB4090	1STQ007116A0000	1/1
Blind Top/Bottom IP30, 40	600	200	PTBB6020	1STQ007117A0000	1/1
Blind Top/Bottom IP30, 40	600	300	PTBB6030	1STQ007118A0000	1/1
Blind Top/Bottom IP30, 40	600	500	PTBB6050	1STQ007119A0000	1/1
Blind Top/Bottom IP30, 40	600	700	PTBB6070	1STQ007120A0000	1/1
Blind Top/Bottom IP30, 40	600	900	PTBB6090	1STQ007121A0000	1/1
Blind Top/Bottom IP30, 40	800	200	PTBB8020	1STQ007122A0000	1/1
Blind Top/Bottom IP30, 40	800	300	PTBB8030	1STQ007123A0000	1/1
Blind Top/Bottom IP30, 40	800	500	PTBB8050	1STQ007124A0000	1/1
Blind Top/Bottom IP30, 40	800	700	PTBB8070	1STQ007125A0000	1/1
Blind Top/Bottom IP30, 40	800	900	PTBB8090	1STQ007126A0000	1/1
Blind Top/Bottom IP30, 40	1000	200	PTBB1020	1STQ009152A0000	1/1
Blind Top/Bottom IP30, 40	1000	300	PTBB1030	1STQ007127A0000	1/1
Blind Top/Bottom IP30, 40	1000	500	PTBB1050	1STQ007128A0000	1/1
Blind Top/Bottom IP30, 40	1000	700	PTBB1070	1STQ007129A0000	1/1
Blind Top/Bottom IP30, 40	1000	900	PTBB1090	1STQ007130A0000	1/1
Blind Top/Bottom IP30, 40	1250	200	PTBB1220	1STQ009153A0000	1/1
Blind Top/Bottom IP30, 40	1250	900	PTBB1290	1STQ007131A0000	1/1

**Realization of the different IP protection class:**

**IP30:** IP30, IP40 panels + vertical finishing profiles for structure or external cable container PPFV... or vertical finishing profiles for internal cable container PPCV... and horizontal finishing profiles PPFH...

**IP31:** add to IP30 codes the top sealing kit PKST... and PKDT

**IP40:** IP30, IP40 panels + blind door IP40/IP41 PDLB... or glass door IP40/IP41 PDLG...

**IP41:** add to IP40 codes the top sealing kit PKST... and PKDT

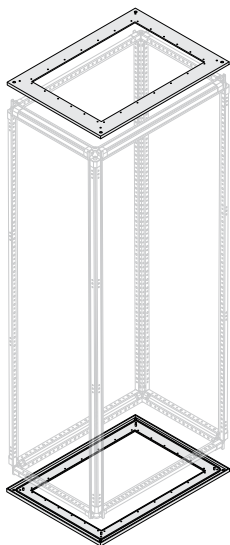
**IP55:** dedicated IP55 codes

# System pro E power

## Empty enclosures for top busbars system

### Order codes

2



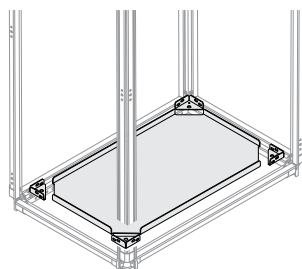
#### Open Top/Bottom

Pickled sheet steel with holes. The code comprises one single component that can be used as either a top or bottom. In order to purchase both the top and the bottom, please order two quantities of the same code or two different top/bottom codes according to the desired design of the structure.

In order to reach IP55 protection degree, use the dedicated fixed cable incoming flanges PFCF....; in order to reach IP40 protection degree, use the dedicated swinging cable incoming flanges PFCS.... at page 2/25.

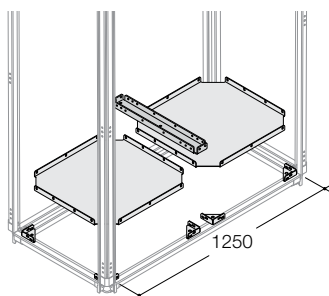
The use of the single open top/bottom without flanges does not guarantee any degree of protection IP. The open top/bottom, associated with sliding flanges, is incompatible with crosspieces assembled inside the cable compartment.

Description	Internal dimensions (mm)		Order code	ABB code	Package/ No. pcs
	W	D			
Open Top/Bottom	300	200	PTBO3020	1STQ007135A0000	1/1
Open Top/Bottom	300	300	PTBO3030	1STQ007136A0000	1/1
Open Top/Bottom	300	500	PTBO3050	1STQ007137A0000	1/1
Open Top/Bottom	300	700	PTBO3070	1STQ007138A0000	1/1
Open Top/Bottom	300	900	PTBO3090	1STQ007139A0000	1/1
Open Top/Bottom	400	200	PTBO4020	1STQ007140A0000	1/1
Open Top/Bottom	400	300	PTBO4030	1STQ007141A0000	1/1
Open Top/Bottom	400	500	PTBO4050	1STQ007142A0000	1/1
Open Top/Bottom	400	700	PTBO4070	1STQ007143A0000	1/1
Open Top/Bottom	400	900	PTBO4090	1STQ007144A0000	1/1
Open Top/Bottom	600	200	PTBO6020	1STQ007147A0000	1/1
Open Top/Bottom	600	300	PTBO6030	1STQ007148A0000	1/1
Open Top/Bottom	600	500	PTBO6050	1STQ007149A0000	1/1
Open Top/Bottom	600	700	PTBO6070	1STQ007150A0000	1/1
Open Top/Bottom	600	900	PTBO6090	1STQ007151A0000	1/1
Open Top/Bottom	800	200	PTBO8020	1STQ007155A0000	1/1
Open Top/Bottom	800	300	PTBO8030	1STQ007156A0000	1/1
Open Top/Bottom	800	500	PTBO8050	1STQ007157A0000	1/1
Open Top/Bottom	800	700	PTBO8070	1STQ007158A0000	1/1
Open Top/Bottom	800	900	PTBO8090	1STQ007159A0000	1/1
Open Top/Bottom	1000	300	PTBO1030	1STQ007160A0000	1/1
Open Top/Bottom	1000	500	PTBO1050	1STQ007161A0000	1/1
Open Top/Bottom	1000	700	PTBO1070	1STQ007162A0000	1/1
Open Top/Bottom	1000	900	PTBO1090	1STQ007163A0000	1/1
Open Top/Bottom	1250	900	PTBO1290	1STQ007167A0000	1/1



### Internal bottom IP40

Internal galvanized steel bottom with special brackets kit included (special brackets kit available also as spare part with the code PBRB0004). In order to reach IPX1 protection degree it is necessary to add the proper top sealing kit PKPT..., page 2/25.



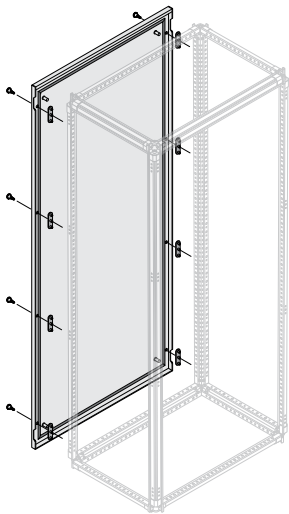
Description	Internal dimensions (mm)		Order code	ABB code	Package/ No. pcs
	W	D			
Internal bottom	300	200	PBWP3020	1STQ007171A0000	1/1
Internal bottom	300	300	PBWP3030	1STQ007172A0000	1/1
Internal bottom	300	500	PBWP3050	1STQ007173A0000	1/1
Internal bottom	300	700	PBWP3070	1STQ007174A0000	1/1
Internal bottom	300	900	PBWP3090	1STQ007175A0000	1/1
Internal bottom	400	200	PBWP4020	1STQ007176A0000	1/1
Internal bottom	400	300	PBWP4030	1STQ007177A0000	1/1
Internal bottom	400	500	PBWP4050	1STQ007178A0000	1/1
Internal bottom	400	700	PBWP4070	1STQ007179A0000	1/1
Internal bottom	400	900	PBWP4090	1STQ007180A0000	1/1
Internal bottom	600	200	PBWP6020	1STQ007183A0000	1/1
Internal bottom	600	300	PBWP6030	1STQ007184A0000	1/1
Internal bottom	600	500	PBWP6050	1STQ007185A0000	1/1
Internal bottom	600	700	PBWP6070	1STQ007186A0000	1/1
Internal bottom	600	900	PBWP6090	1STQ007187A0000	1/1
Internal bottom	800	200	PBWP8020	1STQ007191A0000	1/1
Internal bottom	800	300	PBWP8030	1STQ007192A0000	1/1
Internal bottom	800	500	PBWP8050	1STQ007193A0000	1/1
Internal bottom	800	700	PBWP8070	1STQ007194A0000	1/1
Internal bottom	800	900	PBWP8090	1STQ007195A0000	1/1
Internal bottom	1000	300	PBWP1030	1STQ007196A0000	1/1
Internal bottom	1000	500	PBWP1050	1STQ007197A0000	1/1
Internal bottom	1000	700	PBWP1070	1STQ007198A0000	1/1
Internal bottom	1000	900	PBWP1090	1STQ007199A0000	1/1
Internal bottom	1250	900	PBWP1290	1STQ007203A0000	1/1

# System pro E power

## Empty enclosures for top busbars system

### Order codes

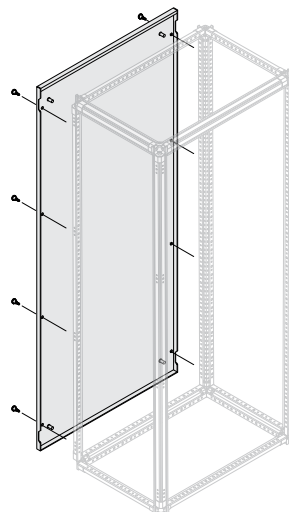
2



#### External blind rear panel IP55

Pickled sheet steel with gasket and plugs IP55.

Description	Internal dimensions (mm)		Order code	ABB code	Package/ No. pcs
	H	W			
Blind rear panel IP55	1800	300	PPEB1836	1STQ007577A0000	1/1
Blind rear panel IP55	1800	400	PPEB1846	1STQ007578A0000	1/1
Blind rear panel IP55	1800	600	PPEB1866	1STQ007580A0000	1/1
Blind rear panel IP55	1800	800	PPEB1886	1STQ007583A0000	1/1
Blind rear panel IP55	1800	1000	PPEB1816	1STQ007585A0000	1/1
Blind rear panel IP55	2000	300	PPEB2036	1STQ007589A0000	1/1
Blind rear panel IP55	2000	400	PPEB2046	1STQ007590A0000	1/1
Blind rear panel IP55	2000	600	PPEB2066	1STQ007592A0000	1/1
Blind rear panel IP55	2000	800	PPEB2086	1STQ007594A0000	1/1
Blind rear panel IP55	2000	1000	PPEB2016	1STQ007596A0000	1/1



#### External blind rear panel IP30, IP40

Pickled sheet steel without gasket. In order to reach IPX1 protection degree it is necessary to add the proper top sealing kit PKPT..., page 2/25.

Description	Internal dimensions (mm)		Order code	ABB code	Package/ No. pcs
	H	W			
Blind rear panel IP30, IP40	1800	300	PPEB1830	1STQ007608A0000	1/1
Blind rear panel IP30, IP40	1800	400	PPEB1840	1STQ007609A0000	1/1
Blind rear panel IP30, IP40	1800	600	PPEB1860	1STQ007611A0000	1/1
Blind rear panel IP30, IP40	1800	800	PPEB1880	1STQ007613A0000	1/1
Blind rear panel IP30, IP40	1800	1000	PPEB1810	1STQ007615A0000	1/1
Blind rear panel IP30, IP40	right	1250	PPRB1820	1STQ007616A0000	1/1
	left		PPLB1820	1STQ007617A0000	1/1
Blind rear panel IP30, IP40	2000	300	PPEB2030	1STQ007619A0000	1/1
Blind rear panel IP30, IP40	2000	400	PPEB2040	1STQ007620A0000	1/1
Blind rear panel IP30, IP40	2000	600	PPEB2060	1STQ007622A0000	1/1
Blind rear panel IP30, IP40	2000	800	PPEB2080	1STQ007624A0000	1/1
Blind rear panel IP30, IP40	2000	1000	PPEB2010	1STQ007626A0000	1/1
Blind rear panel IP30, IP40	right	1250	PPRB2020	1STQ007627A0000	1/1
	left		PPLB2020	1STQ007628A0000	1/1

#### Realization of the different IP protection class:

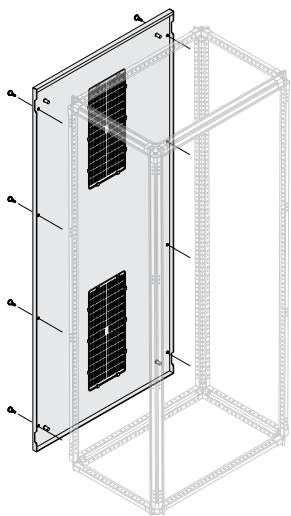
**IP30:** IP30, IP40 panels + vertical finishing profiles for structure or external cable container PPFV... or vertical finishing profiles for internal cable container PPCV... and horizontal finishing profiles PPFH....

**IP31:** add to IP30 codes the top sealing kit PKPT....

**IP40:** IP30, IP40 panels + blind door IP40/IP41 PDLB.... or glass door IP40/IP41 PDLG....

**IP41:** add to IP40 codes the top sealing kit PKPT....

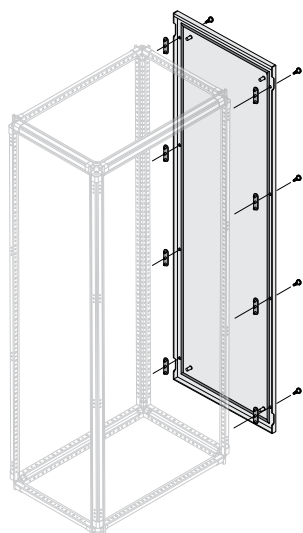
**IP55:** dedicated IP55 codes



### External vented rear panel IP30

In order to reach IPX1 protection degree it is necessary to add the proper top sealing kit PKPT..., page 2/25.

Description	No. Vented grates	Internal dimensions (mm)		Order code	ABB code	Package/ No. pcs
		H	W			
Vented rear panel IP30	2	1800	300	PPEA1830	1STQ007630A0000	1/1
Vented rear panel IP30	2	1800	400	PPEA1840	1STQ007631A0000	1/1
Vented rear panel IP30	2	1800	600	PPEA1860	1STQ007633A0000	1/1
Vented rear panel IP30	4	1800	800	PPEA1880	1STQ007636A0000	1/1
Vented rear panel IP30	6	1800	1000	PPEA1810	1STQ007638A0000	1/1
Vented rear panel IP30/31 with gasket	right	1800	1250	PPRA1820	1STQ007639A0000	1/1
	left			PPLA1820	1STQ007640A0000	1/1
Vented rear panel IP30	2	2000	300	PPEA2030	1STQ007641A0000	1/1
Vented rear panel IP30	2	2000	400	PPEA2040	1STQ007642A0000	1/1
Vented rear panel IP30	2	2000	600	PPEA2060	1STQ007644A0000	1/1
Vented rear panel IP30	4	2000	800	PPEA2080	1STQ007646A0000	1/1
Vented rear panel IP30	6	2000	1000	PPEA2010	1STQ007648A0000	1/1
Vented rear panel IP30 with gasket	right	2000	1250	PPRA2020	1STQ007649A0000	1/1
	left			PPLA2020	1STQ007650A0000	1/1



### External blind side panel IP55

Pickled sheet steel with gasket and plugs IP55. The code refers to one single side panel.

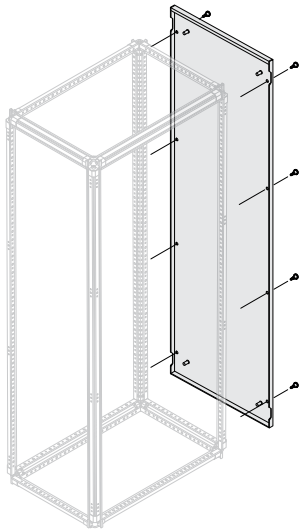
Description	Internal dimensions (mm)		Order code	ABB code	Package/ No. pcs
	H	D			
Blind side panel IP55	1800	200	PPEB1826	1STQ007575A0000	1/1
Blind side panel IP55	1800	300	PPEB1836	1STQ007577A0000	1/1
Blind side panel IP55	1800	500	PPEB1856	1STQ007579A0000	1/1
Blind side panel IP55	1800	700	PPEB1876	1STQ007581A0000	1/1
Blind side panel IP55	1800	900	PPEB1896	1STQ007584A0000	1/1
Blind side panel IP55	2000	200	PPEB2026	1STQ007588A0000	1/1
Blind side panel IP55	2000	300	PPEB2036	1STQ007589A0000	1/1
Blind side panel IP55	2000	500	PPEB2056	1STQ008106A0000	1/1
Blind side panel IP55	2000	700	PPEB2076	1STQ008107A0000	1/1
Blind side panel IP55	2000	900	PPEB2096	1STQ008108A0000	1/1

# System pro E power

## Empty enclosures for top busbars system

### Order codes

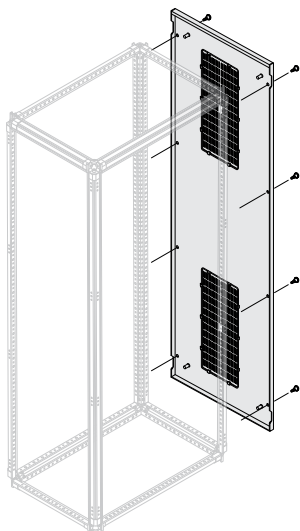
2



#### External blind side panel IP30, IP40

Pickled sheet steel with gasket. The code refers to one single side panel. In order to reach IPX1 protection degree it is necessary to add the proper top sealing kit PKPT..., page 2/25.

Description	Internal dimensions (mm)		Order code	ABB code	Package/ No. pcs
	H	D			
Blind side panel IP30, IP40	1800	200	PPEB1820	1STQ007607A0000	1/1
Blind side panel IP30, IP40	1800	300	PPEB1830	1STQ007608A0000	1/1
Blind side panel IP30, IP40	1800	500	PPEB1850	1STQ007610A0000	1/1
Blind side panel IP30, IP40	1800	700	PPEB1870	1STQ007612A0000	1/1
Blind side panel IP30, IP40	1800	900	PPEB1890	1STQ007614A0000	1/1
Blind side panel IP30, IP40	2000	200	PPEB2020	1STQ007618A0000	1/1
Blind side panel IP30, IP40	2000	300	PPEB2030	1STQ007619A0000	1/1
Blind side panel IP30, IP40	2000	500	PPEB2050	1STQ007621A0000	1/1
Blind side panel IP30, IP40	2000	700	PPEB2070	1STQ007623A0000	1/1
Blind side panel IP30, IP40	2000	900	PPEB2090	1STQ007625A0000	1/1



#### External vented side panel IP30

Pickled sheet steel without gasket. The code refers to one single side panel. For IP40 order the dedicated grate PGPP0040. In order to reach IPX1 protection degree it is necessary to add the proper top sealing kit PKPT..., page 2/25.

Description	No. Vented grates	Internal dimensions (mm)		Order code	ABB code	Package/ No. pcs
		H	D			
Vented side panel IP30	2	1800	300	PPEA1830	1STQ007630A0000	1/1
Vented side panel IP30	2	1800	500	PPEA1850	1STQ007632A0000	1/1
Vented side panel IP30	2	1800	700	PPEA1870	1STQ007634A0000	1/1
Vented side panel IP30	4	1800	900	PPEA1890	1STQ007637A0000	1/1
Vented side panel IP30	2	2000	300	PPEA2030	1STQ007641A0000	1/1
Vented side panel IP30	2	2000	500	PPEA2050	1STQ007643A0000	1/1
Vented side panel IP30	2	2000	700	PPEA2070	1STQ007645A0000	1/1
Vented side panel IP30	4	2000	900	PPEA2090	1STQ007647A0000	1/1

#### Realization of the different IP protection class:

**IP30:** IP30, IP40 panels + vertical finishing profiles for structure or external cable container PPFV... or vertical finishing profiles for internal cable container PPCV... and horizontal finishing profiles PPFH...

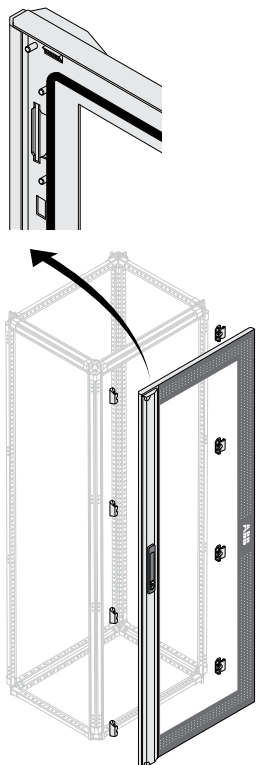
**IP31:** add to IP30 codes the top sealing kit PKPT...

**IP40:** IP30, IP40 panels + blind door IP40/IP41 PDLB... or glass door IP40/IP41 PDLG...

**IP41:** add to IP40 codes the top sealing kit PKPT...

**IP55:** dedicated IP55 codes

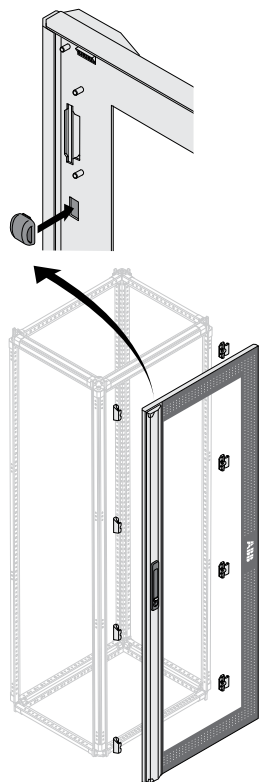




### Glass door IP55

Pickled sheet steel with gasket. Opens through 135° (single column). Complete with 4 hinges to be screwed onto the uprights, 4 door closing brackets with cover and handle. Handle and hinges provided (not pre-assembled for complete reversibility). Doors can be mounted both on the front and on the back of the enclosures.

Description	No. DIN modules	Internal dimensions (mm)		Cable compartment W	Order code	ABB code	Package/ No. pcs
		H	W				
<b>Glass door</b>							
Glass door IP55	12	1800	400		PDLG1846	1STQ007303A0000	1/1
Glass door IP55	24	1800	600		PDLG1866	1STQ007305A0000	1/1
Glass door IP55	36	1800	800		PDLG1886	1STQ007308A0000	1/1
Glass door IP55	48	1800	1000		PDLG1816	1STQ007311A0000	1/1
Glass door IP55	12	2000	400		PDLG2046	1STQ007314A0000	1/1
Glass door IP55	24	2000	600		PDLG2066	1STQ007316A0000	1/1
Glass door IP55	36	2000	800		PDLG2086	1STQ007319A0000	1/1
Glass door IP55	48	2000	1000		PDLG2016	1STQ007322A0000	1/1
<b>Glass door for structures with internal cable compartment</b>							
Glass door IP55	12	1800	600	200	PDLG1842	1STQ007304A0000	1/1
Glass door IP55	12	1800	800	400	PDLG1844	1STQ007306A0000	1/1
Glass door IP55	24	1800	800	200	PDLG1862	1STQ007307A0000	1/1
Glass door IP55	24	1800	1000	400	PDLG1864	1STQ007309A0000	1/1
Glass door IP55	36	1800	1000	200	PDLG1882	1STQ007310A0000	1/1
Glass door IP55	12	2000	600	200	PDLG2042	1STQ007315A0000	1/1
Glass door IP55	12	2000	800	400	PDLG2044	1STQ007317A0000	1/1
Glass door IP55	24	2000	800	200	PDLG2062	1STQ007318A0000	1/1
Glass door IP55	24	2000	1000	400	PDLG2064	1STQ007320A0000	1/1
Glass door IP55	36	2000	1000	200	PDLG2082	1STQ007321A0000	1/1



### Glass door IP40

Pickled sheet steel without gasket and 4 rubber overlapping plugs. Opens through 135° (single column). Complete with 4 hinges to be screwed onto the uprights, 4 door closing brackets with cover and handle. Handle and hinges provided (not pre-assembled for complete reversibility). In order to reach IPX1 protection degree it is necessary to add the proper top sealing kit PKPT..., page 2/25. Doors can be mounted both on the front and on the back of the enclosures.

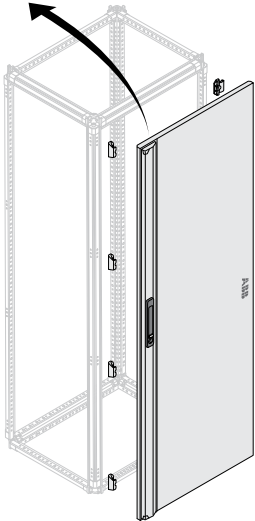
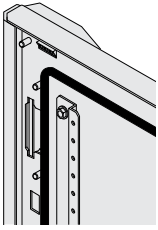
Description	No. DIN modules	Internal dimensions (mm)		Cable compartment W	Order code	ABB code	Package/ No. pcs
		H	W				
<b>Glass door</b>							
Glass door IP40	12	1800	400		PDLG1840	1STQ007325A0000	1/1
Glass door IP40	24	1800	600		PDLG1860	1STQ007327A0000	1/1
Glass door IP40	36	1800	800		PDLG1880	1STQ007330A0000	1/1
Glass door IP40	48	1800	1000		PDLG1810	1STQ007333A0000	1/1
Glass door IP40	12	2000	400		PDLG2040	1STQ007336A0000	1/1
Glass door IP40	24	2000	600		PDLG2060	1STQ007338A0000	1/1
Glass door IP40	36	2000	800		PDLG2080	1STQ007341A0000	1/1
Glass door IP40	48	2000	1000		PDLG2010	1STQ007344A0000	1/1
<b>Glass door for structures with internal cable compartment</b>							
Glass door IP40	12	1800	600	200	PDLG8420	1STQ007326A0000	1/1
Glass door IP40	12	1800	800	400	PDLG8440	1STQ007328A0000	1/1
Glass door IP40	24	1800	800	200	PDLG8620	1STQ007329A0000	1/1
Glass door IP40	24	1800	1000	400	PDLG8640	1STQ007331A0000	1/1
Glass door IP40	36	1800	1000	200	PDLG8820	1STQ007332A0000	1/1
Glass door IP40	12	2000	600	200	PDLG2420	1STQ007337A0000	1/1
Glass door IP40	12	2000	800	400	PDLG2440	1STQ007339A0000	1/1
Glass door IP40	24	2000	800	200	PDLG2620	1STQ007340A0000	1/1
Glass door IP40	24	2000	1000	400	PDLG2640	1STQ007342A0000	1/1
Glass door IP40	36	2000	1000	200	PDLG2820	1STQ007343A0000	1/1

# System pro E power

## Empty enclosures for top busbars system

### Order codes

2



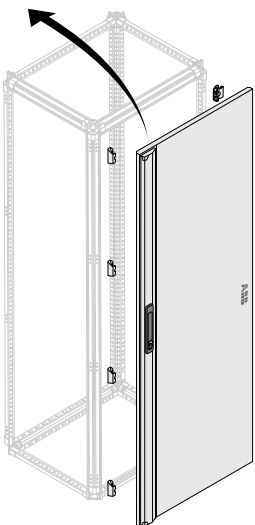
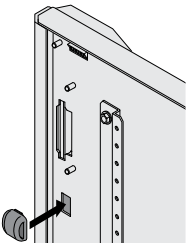
#### Blind door IP55

Pickled sheet steel with gasket. Opens through 135° (single column). Complete with 4 hinges to be screwed onto the uprights, 4 door closing brackets with cover and handle. Handle and hinges provided (not pre-assembled for complete reversibility). Doors can be mounted both on the front and on the back of the enclosures. Reinforcing tubes for W>400mm

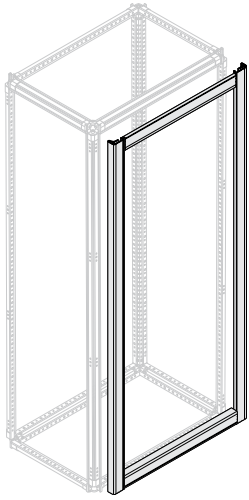
Description	No. DIN modules	Internal dimensions (mm)		Order code	ABB code	Package/No. pcs
		H	W			
Blind door IP55 cable compartment	-	1800	300	PDLB1836	1STQ007347A0000	1/1
Blind door IP55	12	1800	400	PDLB1846	1STQ007348A0000	1/1
Blind door IP55	24	1800	600	PDLB1866	1STQ007349A0000	1/1
Blind door IP55	36	1800	800	PDLB1886	1STQ007350A0000	1/1
Blind door IP55	48	1800	1000	PDLB1816	1STQ007351A0000	1/1
Blind door IP55 cable compartment	-	2000	300	PDLB2036	1STQ007354A0000	1/1
Blind door IP55	12	2000	400	PDLB2046	1STQ007355A0000	1/1
Blind door IP55	24	2000	600	PDLB2066	1STQ007356A0000	1/1
Blind door IP55	36	2000	800	PDLB2086	1STQ007357A0000	1/1
Blind door IP55	48	2000	1000	PDLB2016	1STQ007358A0000	1/1

#### Blind door IP40

Pickled sheet steel without gasket and 4 rubber overlapping plugs. Opens through 135° (single column). Complete with 4 hinges to be screwed onto the uprights, 4 door closing brackets with cover and handle. Handle and hinges provided (not pre-assembled for complete reversibility). In order to reach IPX1 protection degree it is necessary to add the proper top sealing kit PKPT..., page 2/25. Doors can be mounted both on the front and on the back of the enclosures. Reinforcing tubes for W>400mm



Description	No. DIN modules	Internal dimensions (mm)		Order code	ABB code	Package/No. pcs
		H	W			
Blind door IP40 cable compartment	-	1800	300	PDLB1830	1STQ007361A0000	1/1
Blind door IP40	12	1800	400	PDLB1840	1STQ007362A0000	1/1
Blind door IP40	24	1800	600	PDLB1860	1STQ007363A0000	1/1
Blind door IP40	36	1800	800	PDLB1880	1STQ007364A0000	1/1
Blind door IP40	48	1800	1000	PDLB1810	1STQ007365A0000	1/1
Blind door IP40 cable compartment	-	2000	300	PDLB2030	1STQ007368A0000	1/1
Blind door IP40	12	2000	400	PDLB2040	1STQ007369A0000	1/1
Blind door IP40	24	2000	600	PDLB2060	1STQ007370A0000	1/1
Blind door IP40	36	2000	800	PDLB2080	1STQ007371A0000	1/1
Blind door IP40	48	2000	1000	PDLB2010	1STQ007372A0000	1/1



## Horizontal/vertical front closing profiles IP30

Profiles for IP30/IP31 pickled sheet painted RAL 7012. In order to reach IPX1 protection degree it is necessary to add the proper top sealing kit PKPT..., page 2/25.

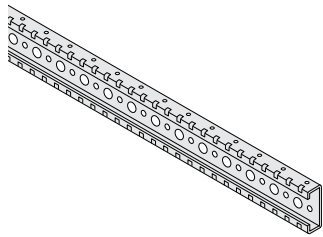
Description	Internal dimensions (mm)		Order code	ABB code	Package/ No. pcs
	H	W			
<b>Finishing profiles vertical structure and external cable compartment</b>					
No.2 vertical profiles IP30	1800		PPFV1800	1STQ008059A0000	1/2
No.2 vertical profiles IP30	2000		PPFV2000	1STQ008060A0000	1/2
<b>Finishing profile vertical internal cable compartment</b>					
No.1 profile vertical IP30	1800		PPCV1800	1STQ009294A0000	1/1
No.1 profile vertical IP30	2000		PPCV2000	1STQ009295A0000	1/1
<b>Finishing profiles horizontal structure and external cable compartment</b>					
No.2 horizontal profiles IP30		300	PPFH0300	1STQ008053A0000	1/2
No.2 horizontal profiles IP30		400	PPFH0400	1STQ008054A0000	1/2
No.2 horizontal profiles IP30		600	PPFH0600	1STQ008055A0000	1/2
No.2 horizontal profiles IP30		800	PPFH0800	1STQ008056A0000	1/2
No.2 horizontal profiles IP30		1000	PPFH1000	1STQ008057A0000	1/2
No.2 horizontal profiles IP30		1250	PPFH1250	1STQ008058A0000	1/2

# System pro E power

## Empty enclosures for top busbars system

### Order codes

2



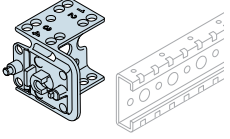
#### Crosspieces – Galvanized sheet metal

Crosspieces in 20/10 thick hot-dip galvanized sheet metal, for < 4000A current values. They are fixed directly inside the cubicle using a purpose-made bracket to form busbar holders or as universal crosspieces.

Equipped with 12.5mm pitch rectangular holes, they are able to house insulating supports for thermoplastic busbar holders with snap-fit mechanism.

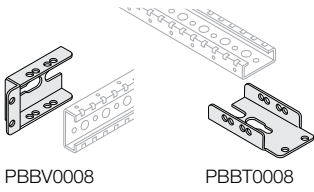
Description	Internal dimensions Structure			Order code	ABB code	Package/ No.pcs
	D (mm)	W (mm)	H (mm)			
<b>Depth galvanized sheet metal crosspieces for structures without intermediate upright</b>						
No.2 crosspieces	200			PCRM0188	1STQ007375A0000	1/2
No.2 crosspieces	300			PCRM0288	1STQ007376A0000	1/2
No.2 crosspieces	500			PCRM0488	1STQ007378A0000	1/2
No.2 crosspieces	700			PCRM0688	1STQ007380A0000	1/2
No.2 crosspieces	900			PCRM0888	1STQ007382A0000	1/2
<b>Depth galvanized sheet metal crosspieces for structures with intermediate upright or PCKI... crosspieces</b>						
No.2 crosspieces	500			PCRM0238	1STQ007384A0000	1/2
No.2 crosspieces	700			PCRM0438	1STQ007386A0000	1/2
No.2 crosspieces	900			PCRM0638	1STQ007388A0000	1/2
<b>Width galvanized sheet metal crosspieces for structures with or without intermediate upright</b>						
No.2 crosspieces		300		PCRM0288	1STQ007376A0000	1/2
No.2 crosspieces		400		PCRM0388	1STQ007377A0000	1/2
No.2 crosspieces		600		PCRM0588	1STQ007379A0000	1/2
No.2 crosspieces		800		PCRM0788	1STQ007381A0000	1/2
No.2 crosspieces		1000		PCRM0988	1STQ007383A0000	1/2
No.2 crosspieces		1250		PCRM1238	1STQ007390A0000	1/2
<b>Universal crosspieces</b>						
No.2 crosspieces L=2013mm				PCRM2013	1STQ007391A0000	1/2
<b>Closing galvanized sheet metal crosspieces with rear intermediate upright</b>						
No.2 crosspieces	600			PCRM0338	1STQ007385A0000	1/2
No.2 crosspieces	800			PCRM0538	1STQ007387A0000	1/2
No.2 crosspieces	1000			PCRM0738	1STQ007389A0000	1/2
<b>Crosspieces total height</b>						
No.2 galvanized sheet metal crosspieces for total height of enclosures			1800	PCRM1788	1STQ002007B0000	1/2
No.2 galvanized sheet metal crosspieces for total height of enclosures			2000	PCRM1988	1STQ002006B0000	1/2

PBBU0008



### Brackets for fixing vertical/horizontal busbars holder crosspieces

Description	Order code	ABB code	Package/ No.pcs
No. 8 brackets for crosspieces	PBBU0008	1STQ001588B0000	1/8

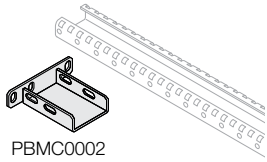


PBBV0008

PBBT0008

### Crosspiece fixing brackets - vertical/horizontal

Description	Order code	ABB code	Package/ No.pcs
No. 8 brackets for crosspieces	PBBV0008	1STQ007430A0000	1/8
No. 8 brackets for crosspieces	PBBV0008	1STQ007432A0000	1/8
No.2 fixing brackets connection module	PBMC0002	1STQ009215A0000	1/2



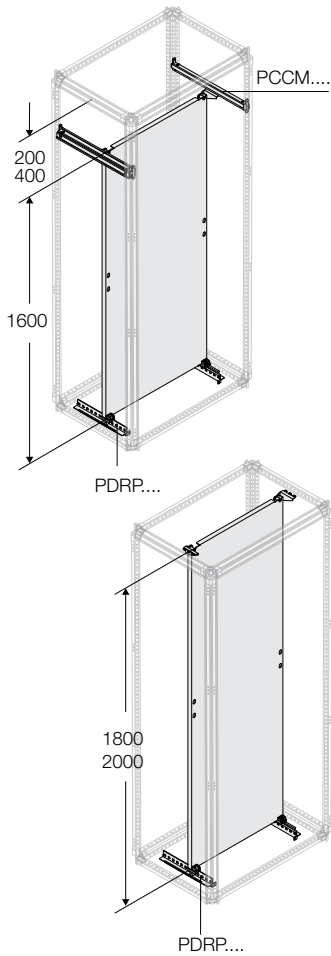
PBMC0002

# System pro E power

## Empty enclosures for top busbars system

### Order codes

2



#### Blind mounting plates total height

Description	Internal dimensions (mm)			Order code	ABB code	Package/ No. pcs
	H	W	D			
Blind mounting plate	1600	400		PWRP1640	1STQ001965B0000	1/1
Blind assembly plate	1600	600		PWRP1660	1STQ001966B0000	1/1
Blind assembly plate	1600	800		PWRP1680	1STQ001967B0000	1/1
Blind assembly plate	1800	400		PWRP1840	1STQ001899B0000	1/1
Blind assembly plate	1800	600		PWRP1860	1STQ001900B0000	1/1
Blind assembly plate	1800	800		PWRP1880	1STQ001901B0000	1/1
Blind assembly plate	2000	400		PWRP2040	1STQ001902B0000	1/1
Blind assembly plate	2000	600		PWRP2060	1STQ001903B0000	1/1
Blind assembly plate	2000	800		PWRP2080	1STQ001904B0000	1/1
<b>Tracks for front insertion</b>						
Pair of tracks for total height mounting plate			300	PDRP0300	1STQ002335B0000	1/1
Pair of tracks for total height mounting plate			500	PDRP0500	1STQ002336B0000	1/1
Pair of tracks for total height mounting plate			700	PDRP0700	1STQ002337B0000	1/1
Pair of tracks for total height mounting plate			900	PDRP0900	1STQ002338B0000	1/1

#### Crosspieces for mounting blind total height plate

Description	Internal dimensions		Order code	Codice ABB	Package/ No. pcs
	D (mm)				
No.2 crosspieces	200		PCCM0200	1STQ007744A0000	1/2
No.2 crosspieces	300		PCCM0300	1STQ007745A0000	1/2
No.2 crosspieces	500		PCCM0500	1STQ007746A0000	1/2
No.2 crosspieces	700		PCCM0700	1STQ007747A0000	1/2
No.2 crosspieces	900		PCCM0900	1STQ007748A0000	1/2

If the enclosure is higher than total height mounting plate, order no. 1 PCCM... to mount the total height blind plate.

# System pro *E* power 185 mm Busbar System

Introduction	3/2
The right module for each application	3/4
General information	3/6
Selection guide	3/8
Order codes	3/10

# System pro E power 185 mm Busbar System

The ABB range of metal enclosures for main distribution is now enhanced with the new System pro E power 185mm busbar system. The columns have a functional height of 1800, 2100 mm and a functional depth of 300 and 500 mm. Four widths can be selected (functional 500, 750, 1000 and 1250mm) depending on the device type and quantity.

3

## Security

- Tested to IEC 61439-1/-2
- Installation of the surge arrester in compliance with IEC 61439-1/-2
- IPXXB touch guard covers

## Modularity

- Installation to different cabinet size
- Assembly to WR mounting frame
- Rated current up to 2000A, short-time withstand current up to 75 kA

## Efficiency

- MBB and DBB in one system
- High packing density
- Compact design
- Save at least 50% of copper

## Compatibility

- Combination possible with standard CombiLine N modules
- Easy connection between equipment and the 185 mm busbar system
- Installation of MCCBs Tmax and ACBs Emax 2
- Installation of fuse switch disconnectors InLine II and switch disconnectors fuse SlimLine XR

## Circuit breaker zone

### System to connect breakers and MBB

- Connection points are prepared before and behind the breaker
- Possible installation of the CT's before or behind the breaker

### Also available: multi-breaker panels

- Also available: outgoing modules for multiple breakers

## Surge arrester device

### Prefuse

- It is possible to assemble the prefuse for the surge arrester device directly and without further wiring to the busbar system

### Varistor replacement at the surge arrester device

- Replacement is possible without the need to remove the cover
- Function display of the surge arrester
- Visible through the cover

### Assembling the surge arrester

- Vertical assembly for optimum cable routing

## Customer wiring space

### Wiring options

- Optimal space for cable connections
- Generous wiring space
- Rails with high short circuit withstand strength



## Affordable Range

### Efficiency

Reduce the quantity of copper with one busbar system and a compact design.



## Speed up your projects

### Productivity

Easy to be configured with full compatibility with ABB devices.



## Affordable Range

### Efficiency

Type tested solution for simple distribution up to 2000A.



### Central earthing point (CEP)

- Standard-compliant central earthing point
- Possibility to integrate CT's

### Outgoing sections

#### Blind covers

- Blind covers for reserve spaces - 50 mm and 100 mm wide

#### High packing density

- Increased packing density for outgoing sections
- Cut-out in the covers

### Partitions / touch guard

#### Vertical cabinet to cabinet separation walls

- To separate the sections

#### Horizontal touch guard

- Touch guard to the main busbar system

### Busbar guide

#### Cabinet to cabinet connection

- Good accessibility for the connecting bolts
- Easy cabinet to cabinet connectors
- Corner section to optimize the layout

#### Compact design of the coupler section

- Busbar set up on the same level

### N/PE busbar guide

#### Horizontal busbar guide

- N/PE connections in staggered arrangement
- Optimal connecting possibilities
- Connection space above and beneath equipment available

#### Vertical busbar guide

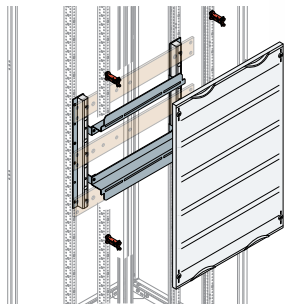
- Connection busbars from the top to the bottom



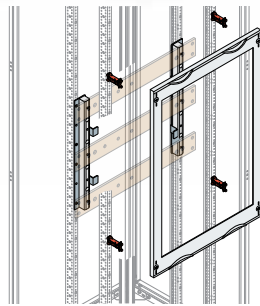
# System pro E power 185 mm Busbar System

The right module for each application

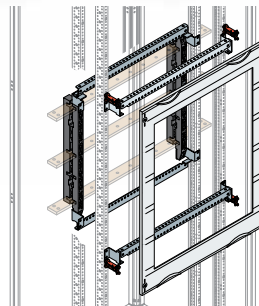
3



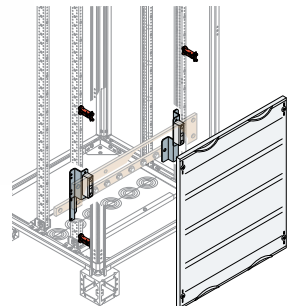
Tmax, Emax circuit-breakers



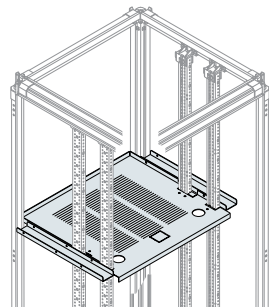
SlimLine XR fuse switch-disconnector



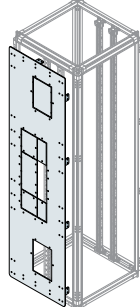
Fuse switch-disconnectors



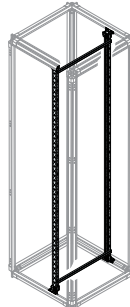
Horizontal N/PE busbar system



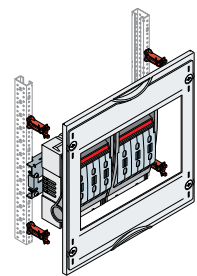
Horizontal partitions



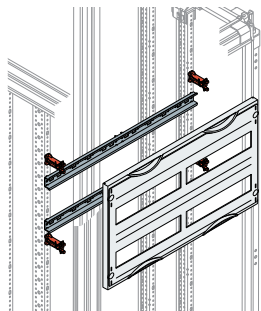
Vertical partitions



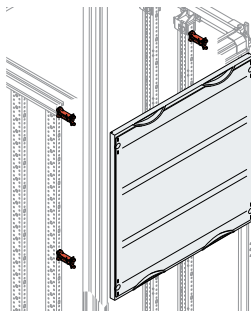
Frame structure



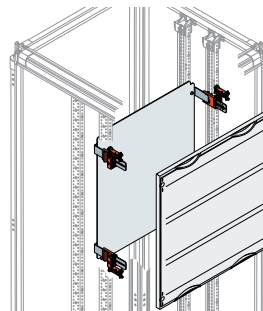
XLP fuse switch-disconnector



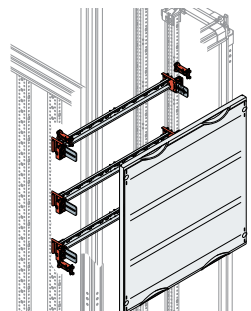
Recessed unit in series



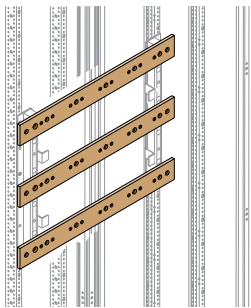
Discharge protection



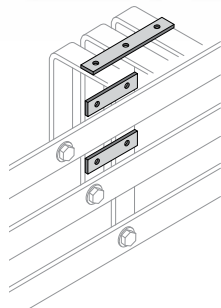
Mounting plate



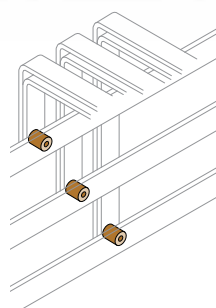
Terminals in series



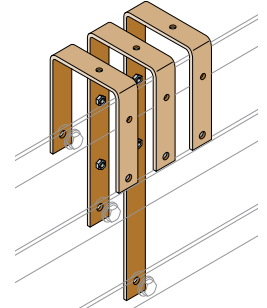
Main busbar system



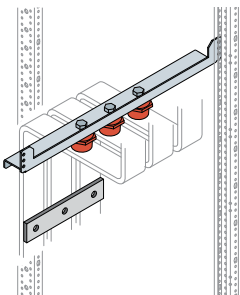
Connection supporting set



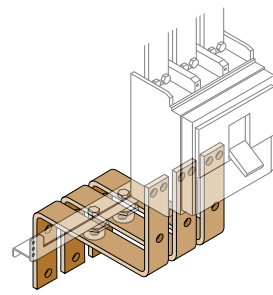
Copper spacer for connection



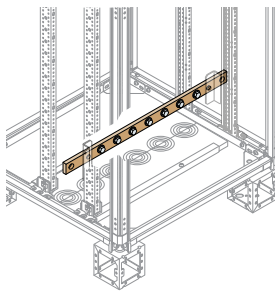
Connection to main busbar system



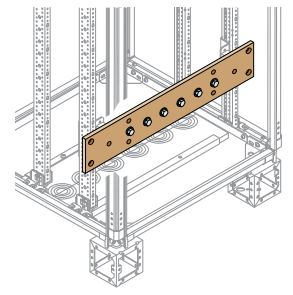
Connection supporting set



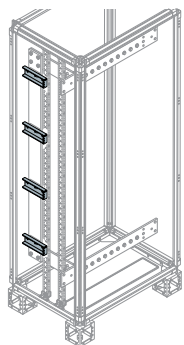
Connection to cables



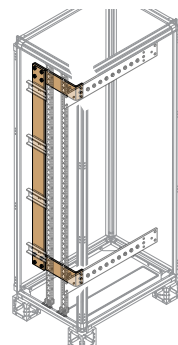
Neutral busbar (N)



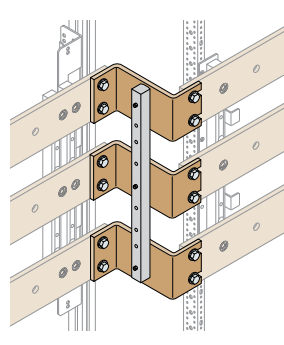
Earth busbar (PE)



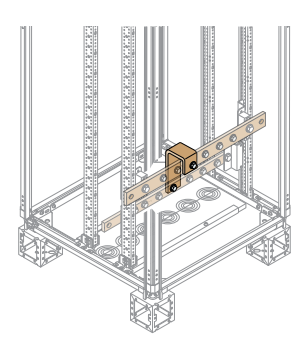
Vertical N/PE supporting set



Vertical offset N/PE busbar system



Section to section copper connection



Central earthing point

# System pro E power

## 185 mm Busbar System

### General information

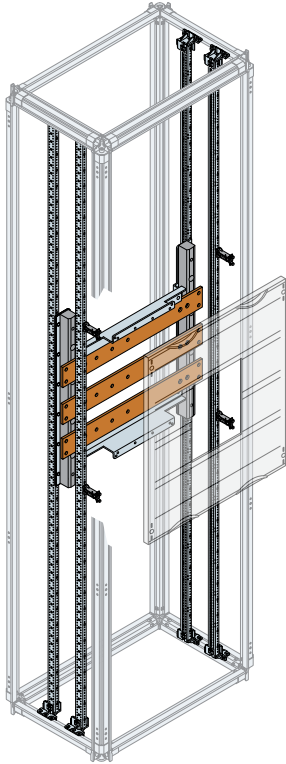
The solutions are composed by an incoming section with a main circuit breaker combined with a selection of outgoing sections for fuse switch disconnectors or CombiLine modular distribution panel system with modules for a wide range of devices. The columns have a functional height of 1800 or 2100 mm and a functional depth of 400 or 600 mm. Four widths can be selected (functional widths 500, 750, 1000 and 1250 mm) depending on the device type and quantity.

3

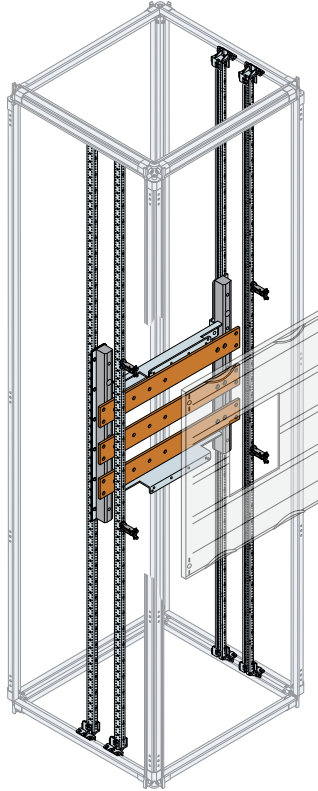


Compliance with Standard	IEC 61439-1-2	
Approvals	LOVAG	
Vibration test	-	
Seismic withstand capability test	-	
Conditions of installation	Indoor installation	
Ambient temperature, average value 24h	+35 °C	
Ambient temperature, maximum value	+40 °C	
Ambient temperature, minimum value	-5 °C	
Pollution degree	3	
Protection class	I (earthed)	
Rated current I <sub>n</sub>	up to 2000A	
Rated short-time withstand current I <sub>cw</sub>	up to 75kA	
Rated peak short-circuit current I <sub>pk</sub>	up to 165kA	
Rated service voltage U <sub>e</sub>	415 VAC	
Rated insulation voltage U <sub>i</sub>	1000V AC	
Rated frequency	50-60Hz	
Rated impulse withstand voltage U <sub>imp</sub>	8kV	
IP protection class	IP30, IP40, IP55, IP55	
Painting	Enclosure	RAL 7035
	Plinth	RAL 7012
Protection against mechanical impact IEC62262	Glazed door	IK09
	Blind door, without door	IK10
Functional dimensions. External dimension = functional dimensions + 100mm (see more details in overall dimensions chapter).	Height (mm) without plinth	1800
	(+100, 200 mm with plinth)	2100
	Width (mm)	500, 750, 1000, 1250
	Depth (mm)	300, 500

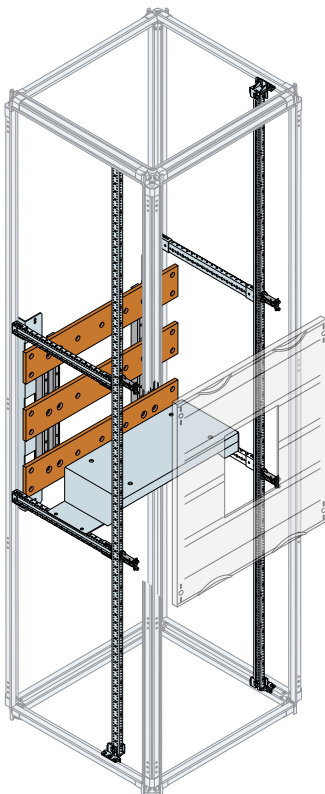
**D=400mm**  
Circuit breaker  $I_n \leq 1000A$



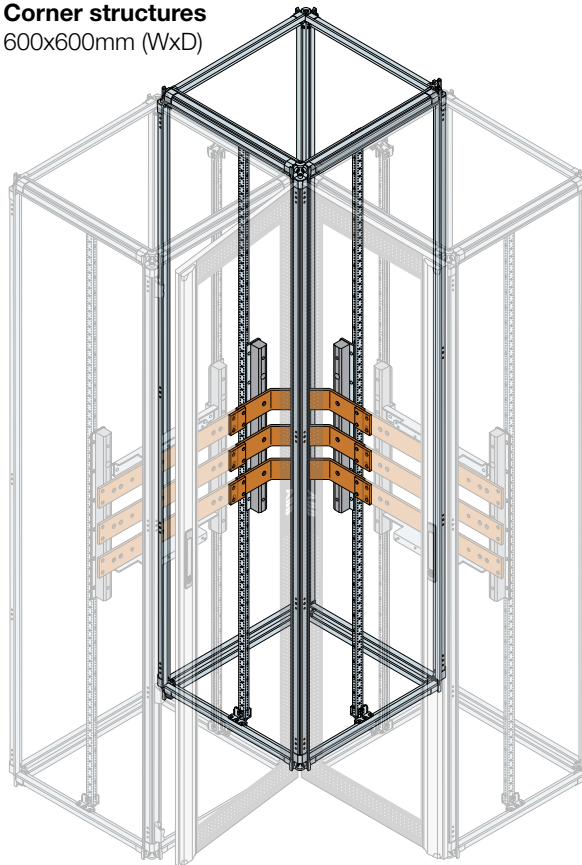
**D=600mm**  
Circuit breaker  $I_n 1600A$ , InLine and corner structure



**D=600mm**  
Circuit breaker  $I_n 2000A$



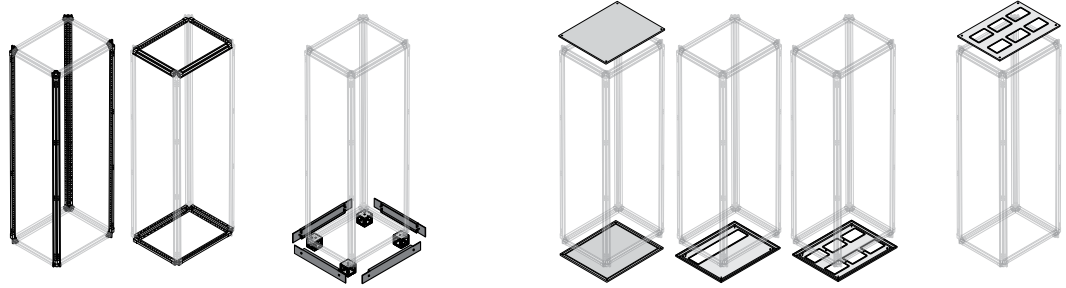
**Corner structures**  
600x600mm (WxD)



# System pro E power 185 mm Busbar System

## Selection guide

3



### STRUCTURE

Functional dimensions			External dimensions			FRAME - Galvanized sheet metal						EXTERNAL COVERS						
H (mm)	W (mm)	D (mm)	H (mm)	W (mm)	D (mm)	Uprights	Structure crosspieces		H=100mm plinth			Blind IP55	Bottom for column		Top for column			
							Front/Rear	Sides	Angle pieces	Front/Rear	Sides		Open IP40	Open IP55 one row	Open IP55 two row	Open IP55 one row	Open IP55 two row	
1800	500	300	1900	600	400	PUPM1800	PCFM0500	PCFM0300	PPAM0100	PPFM1050	PPFM1030	PTBB3056	PTBT5031	PTBT3056	PTBT3058			
	750			PCFM0750			PPFM1075			PTBB7536		PTBT7536						
	1000			PCFM1000			PPFM1010			PTBB1036		PTBT1036						
	1250			PCFM1250			PPFM1250			PTBB1236		PTBT1236						
	500	500		1900	600	600	PUPM1800	PCFM0500	PCFM0500	PPAM0100	PPFM1050	PPFM1050	PTBB5050	PTBT5051	PTBT5050	PTBT5057	PTBT5058	PTBT5059
	750				PCFM0750			PPFM1075			PTBB7556		PTBT7556		PTBT7557	PTBT7558	PTBT7559	
	1000				PCFM1000			PPFM1010			PTBB1056		PTBT1056		PTBT1057	PTBT1058	PTBT1059	
	1250				PCFM1250			PPAM0100 + PPIM0100			PPFM1250		PTBB1256	PTBT1256		PTBT1257	PTBT1258	PTBT1259
2100	500	300	2200	600	400	PUPM2100	PCFM0500	PCFM0300	PPAM0100	PPFM1050	PPFM1030	PTBB3056	PTBT5031	PTBT3056	PTBT3058			
	750			PCFM0750			PPFM1075			PTBB7536		PTBT7536						
	1000			PCFM1000			PPFM1010			PTBB1036		PTBT1036						
	1250			PCFM1250			PPFM1250			PTBB1236		PTBT1236						
	500	500		2200	600	600	PUPM2100	PCFM0500	PCFM0500	PPAM0100	PPFM1050	PPFM1050	PTBB5050	PTBT5051	PTBT5050	PTBT5057	PTBT5058	PTBT5059
	750				PCFM0750			PPFM1075			PTBB7556		PTBT7556		PTBT7557	PTBT7558	PTBT7559	
	1000				PCFM1000			PPFM1010			PTBB1056		PTBT1056		PTBT1057	PTBT1058	PTBT1059	
	1250				PCFM1250			PPAM0100 + PPIM0100			PPFM1250		PTBB1256	PTBT1256		PTBT1257	PTBT1258	PTBT1259

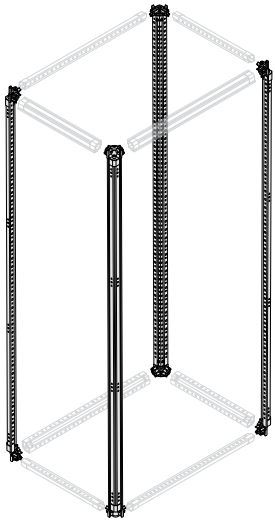


														COMBINE AND KITS	
Internal bottom				Rear/Side panels		Doors without lever				Lever codes, to be added for each door		Front profiles IP30			
Blind IP40	Open IP40	Open IP40 one row	Open IP40 two row	Rear panels Blind IP55	Side panels Blind IP55	Blind door IP55	Double blind IP55	Glazed door IP55	Double glazed IP55	Standard lever without push-button	Lever for semi-cylinder insert	Vertical profile	Horizontal profile	Touchguard	
PBWP3050	PBWF5031	PBWF3056		PPEB1856		PDNB1856		PDNG1856					PPFH0500	PCTG1850	
PBWP7530		PBWF7536		PPEB1875		PDNB1876		PDNG1876					PPFH0750	PCTG1875	
PBWP1030		PBWF1036		PPEB1816	PPEB1836	PDNB1816	PDLB8126+PDNB8506	PDNG1816	PDLG8126+PDNG8506	PHLS0013	PHLS0012	PPFV1800	PPFH1000	PCTG1810	
PBWP1230		PBWF1236		PPRB1826 PPLB1826			PDLB8126+PDNB8406		PDLG8126+PDNG8406				PPFH1250	PCTG1812	
PBWP5050	PBWF5051	PBWF5050	PBWF5057	PPEB1856		PDNB1856		PDNG1856					PPFH0500	PCTG1850	
PBWP7550		PBWF7556	PBWF7557	PPEB1875		PDNB1876		PDNG1876					PPFH0750	PCTG1875	
PBWP1050		PBWF1056	PBWF1057	PPEB1816	PPEB1856	PDNB1816	PDLB8126+PDNB8506	PDNG1816	PDLG8126+PDNG8506	PHLS0013	PHLS0012	PPFV1800	PPFH1000	PCTG1810	
PBWP1250		PBWF1256	PBWF1257	PPRB1826 PPLB1826			PDLB8126+PDNB8406		PDLG8126+PDNG8406				PPFH1250	PCTG1812	
PBWP3050	PBWF5031	PBWF3056		PPEB2156		PDNB2156		PDNG2156					PPFH0500	PCTG2150	
PBWP7530		PBWF7536		PPEB2175		PDNB2176		PDNG2176					PPFH0750	PCTG2175	
PBWP1030		PBWF1036		PPEB2116	PPEB2136	PDNB2116	PDLB1126+PDNB1506	PDNG2116	PDLG1126+PDNG1506	PHLS0013	PHLS0012	PPFV2100	PPFH1000	PCTG2110	
PBWP1230		PBWF1236		PPRB1826 PPLB1826			PDLB1126+PDNB1406		PDLG1126+PDNG1406				PPFH1250	PCTG2112	
PBWP5050	PBWF5051	PBWF5050	PBWF5057	PPEB2156		PDNB2156		PDNG2156					PPFH0500	PCTG2150	
PBWP7550		PBWF7556	PBWF7557	PPEB2175		PDNB2176		PDNG2176					PPFH0750	PCTG2175	
PBWP1050		PBWF1056	PBWF1057	PPEB2116	PPEB2156	PDNB2116	PDLB1126+PDNB1506	PDNG2116	PDLG1126+PDNG1506	PHLS0013	PHLS0012	PPFV2100	PPFH1000	PCTG2110	
PBWP1250		PBWF1256	PBWF1257	PPRB1826 PPLB1826			PDLB1126+PDNB1406		PDLG1126+PDNG1406				PPFH1250	PCTG2112	

# System pro E power

## 185 mm Busbar System - Order codes

3



### Uprights – Galvanized sheet metal

Upright formed by a closed profile made of galvanized sheet metal. The uprights include 8 already assembled 3-way joints, 8 already assembled axial screws and 16 loose axial screws.

Description	External dimensions H (mm)		Order code		ABB code	Package/ No. pcs
	W	D	Order code	ABB code		
No.4 uprights	1900		PUPM1800	1STQ007033A0000		1/4
No.4 uprights	2200		PUPM2100	1STQ007035A0000		1/4

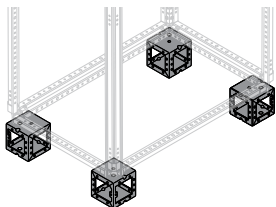


### Structure crosspieces – Galvanized sheet metal

Depth and width crosspieces for structures in galvanized sheet metal.

Description	External dimensions H (mm)		Order code	ABB code	Package/ No. pcs
	W	D			
<b>Width crosspieces</b>					
No.4 depth crosspieces	600		PCFM0500	1STQ007039A0000	1/4
No.4 width crosspieces	850		PCFM0750	1STQ007041A0000	1/4
No.4 width crosspieces	1100		PCFM1000	1STQ007043A0000	1/4
No.4 width crosspieces	1350		PCFM1250	1STQ007044A0000	1/4
<b>Depth crosspieces</b>					
No.4 depth crosspieces		400	PCFM0300	1STQ007037A0000	1/4
No.4 depth crosspieces		600	PCFM0500	1STQ007039A0000	1/4

PPAM0100



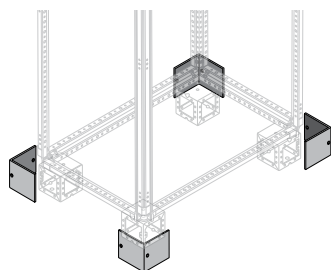
### Universal angle pieces for plinths in galvanized sheet metal

Not pre-assembled to the structure. New angle piece with high mechanical strength. Can be fixed from the outside and from the inside of the structure even at a later date. Equipped with anti-rotation system and bottom that can be transported with a transpallet.

Description	Dimensions H (mm)	Delivered in kit		Delivered assembled ABB code	Package/ No. pcs
		Order code	ABB code		
No.4 plinth angle pieces	100	PPAM0100	1STQ007048A0000	1STQ001104M0000	1/4

Max. plinth height 300mm combining n.3 pieces of 100mm standard plinths.

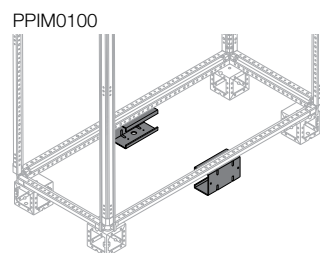




### “L” covers for plinth angle-pieces

Used for covering the sides of the plinth when the flanges are not used.

Description	Dimensions H (mm)	Order code	ABB code	Package/ No. pcs
No.4 angle-piece covers	100	PCPA0004	1STQ008109A0000	1/4

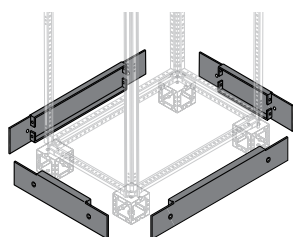


### Intermediate plinth

Intermediate plinth only for structures W=1250mm

Description	Dimensions H (mm)	Delivered in kit		Delivered assembled ABB code	Package/ No. pcs
		Order code	ABB code		
No.2 intermediate plinths	100	PPIM0100	1STQ007208A0000	1STQ001105M0000	1/2

Max. plinth height 300mm combining n.3 pieces of 100mm standard plinths.

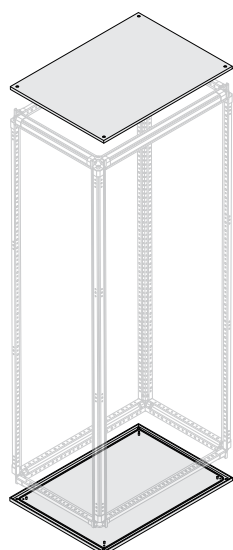


### Plinth flanges

Side and front/rear plinth flanges H=100mm RAL 7012.

Description	External dimensions H (mm)		Delivered in kit		Delivered assembled ABB code	Package/ No. pcs
	W	D	Order code	ABB code		
<b>Front/rear plinth flanges</b>						
No.2 plinth flanges	600		PPFM1050	1STQ007052A0000	1STQ001109M0000	1/2
No.2 plinth flanges	850		PPFM1075	1STQ007054A0000	1STQ001111M0000	1/2
No.2 plinth flanges	1100		PPFM1010	1STQ007056A0000	1STQ001112M0000	1/2
No.4 plinth flanges	1350		PPFM1250	1STQ007057A0000	1STQ001113M0000	1/4
<b>Side plinth flanges</b>						
No.2 plinth flanges		400	PPFM1030	1STQ007050A0000	1STQ001108M0000	1/2
No.2 plinth flanges		600	PPFM1050	1STQ007052A0000	1STQ001109M0000	1/2

To cover plinth higher than 100mm, combine more pieces of 100mm standard flanges.



### Blind top/bottom for column with plinth IP55

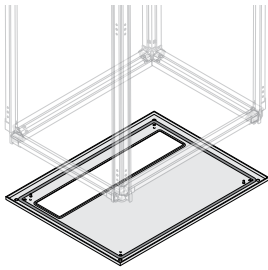
Pickled sheet steel with IP55 gasket. The article comprises one single component that can be used as either a top or bottom. In order to purchase both the top and the bottom, please order two quantities of the same code or two different top/bottom codes according to the desired design of the structure. The code includes four M12x20 screws.

Description	External dimensions H (mm)		Delivered in kit		Delivered assembled ABB code	Package/ No. pcs
	W	D	Order code	ABB code		
Blind Top/Bottom	600	400	PTBB3056	1STQ007076A0000	1STQ001119M0000	1/1
Blind Top/Bottom	600	600	PTBB5050	1STQ009179A0000	1STQ001120M0000	1/1
Blind Top/Bottom	850	400	PTBB7536	1STQ007091A0000	1STQ001123M0000	1/1
Blind Top/Bottom	850	600	PTBB7556	1STQ007092A0000	1STQ001124M0000	1/1
Blind Top/Bottom	1100	400	PTBB1036	1STQ007099A0000	1STQ001127M0000	1/1
Blind Top/Bottom	1100	600	PTBB1056	1STQ007100A0000	1STQ001128M0000	1/1
Blind Top/Bottom	1350	400	PTBB1236	1STQ002294B0000	1STQ001131M0000	1/1
Blind Top/Bottom	1350	600	PTBB1256	1STQ002295B0000	1STQ001132M0000	1/1

# System pro E power

## 185 mm Busbar System - Order codes

3

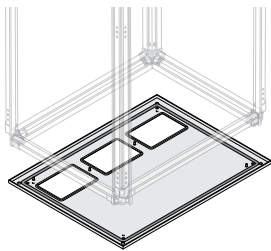


### Open bottom for column with plinth - IP40

Pickled sheet steel with holes. The code comprises one single component that can be used as bottom. To be used together with the dedicated fixed cable incoming flanges RF....

The cut out is 450x180mm for 500mm deep panel and 345x180mm for 300mm deep panel.

Description	External dimensions H (mm)		Order code	ABB code	Delivered assembled ABB code	Package/ No. pcs
	W	D				
Open bottom	600	400	PTBT5031	1STQ005094B0000	1STQ001303M0000	1/1
Open bottom	600	600	PTBT5051	1STQ002318B0000	1STQ001304M0000	1/1

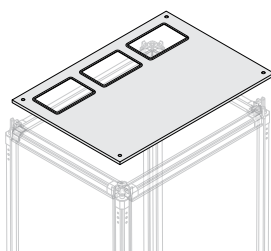
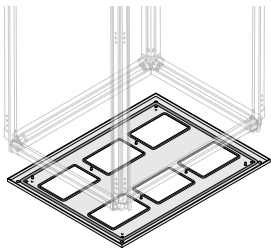


### Open bottom for column with plinth - IP55

Pickled sheet steel with holes. The code comprises one single component that can be used as bottom.

In order to reach IP55 protection degree, use the dedicated fixed cable incoming flanges TZ.... page 3/14 on the internal side. The use of the single open bottom without flanges does not guarantee any degree of protection IP. The cut out 197x121mm, the distance between the cut out is 250mm in width and 250mm in depth (for two rows type).

Description	External dimensions H (mm)		Delivered in kit		Delivered assembled ABB code	Package/ No. pcs
	W	D	Order code	ABB code		
<b>One row</b>						
Open bottom	600	400	PTBT3056	1STQ002315B0000	1STQ001142M0000	1/1
Open bottom	600	600	PTBT5050	1STQ002317B0000	1STQ001143M0000	1/1
Open bottom	850	400	PTBT7536	1STQ002323B0000	1STQ001145M0000	1/1
Open bottom	850	600	PTBT7556	1STQ002324B0000	1STQ001146M0000	1/1
Open bottom	1100	400	PTBT1036	1STQ002298B0000	1STQ001148M0000	1/1
Open bottom	1100	600	PTBT1056	1STQ002299B0000	1STQ001149M0000	1/1
Open bottom	1350	400	PTBT1236	1STQ002304B0000	1STQ001151M0000	1/1
Open bottom	1350	600	PTBT1256	1STQ002305B0000	1STQ001152M0000	1/1
<b>Two rows</b>						
Open bottom	600	600	PTBT5057	1STQ002319B0000	1STQ001156M0000	1/1
Open bottom	850	600	PTBT7557	1STQ002325B0000	1STQ001158M0000	1/1
Open bottom	1100	600	PTBT1057	1STQ002300B0000	1STQ001160M0000	1/1
Open bottom	1350	600	PTBT1257	1STQ002306B0000	1STQ001162M0000	1/1

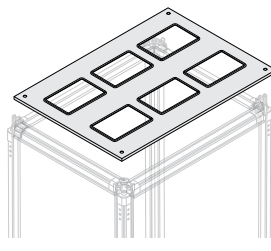


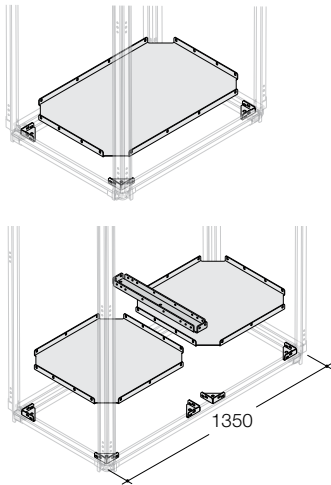
### Open top - IP55

Pickled sheet steel with holes. The code comprises one single component that can be used as top.

In order to reach IP55 protection degree, use the dedicated fixed cable incoming flanges TZ.... page 3/14 on the external side. The use of the single open top without flanges does not guarantee any degree of protection IP. The cut out 197x121mm, the distance between the cut out is 250mm in width and 250mm in depth (for two rows type).

Description	External dimensions H (mm)		Delivered in kit		Delivered assembled ABB code	Package/ No. pcs
	W	D	Order code	ABB code		
<b>One row</b>						
Open top	600	400	PTBT3058	1STQ002414B0000	1STQ001169M0000	1/1
Open top	600	600	PTBT5058	1STQ002416B0000	1STQ001170M0000	1/1
Open top	850	400	PTBT7538	1STQ002421B0000	1STQ001173M0000	1/1
Open top	850	600	PTBT7558	1STQ002422B0000	1STQ001174M0000	1/1
Open top	1100	400	PTBT1038	1STQ002397B0000	1STQ001177M0000	1/1
Open top	1100	600	PTBT1058	1STQ002398B0000	1STQ001178M0000	1/1
Open top	1350	400	PTBT1238	1STQ002403B0000	1STQ001181M0000	1/1
Open top	1350	600	PTBT1258	1STQ002404B0000	1STQ001182M0000	1/1
<b>Two rows</b>						
Open top	600	600	PTBT5059	1STQ002417B0000	1STQ001186M0000	1/1
Open top	850	600	PTBT7559	1STQ002423B0000	1STQ001188M0000	1/1
Open top	1100	600	PTBT1059	1STQ002399B0000	1STQ001190M0000	1/1
Open top	1350	600	PTBT1259	1STQ002405B0000	1STQ001192M0000	1/1



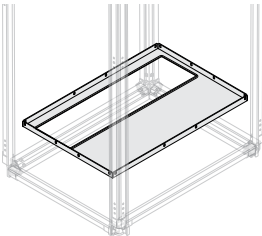


### Internal blind bottom for column without plinth - IP40

Internal galvanized steel bottom with special brackets kit included (special brackets kit available also as spare part with the code PBRB0004).

Description	External dimensions H (mm)		Delivered in kit		Delivered assembled	Package/ No. pcs
	W	D	Order code	ABB code	ABB code	
Internal bottom	600	400	PBWP3050	1STQ007173A0000	1STQ001199M0000	1/1
Internal bottom	600	600	PBWP5050	1STQ007181A0000	1STQ001200M0000	1/1
Internal bottom	850	400	PBWP7530	1STQ007188A0000	1STQ001203M0000	1/1
Internal bottom	850	600	PBWP7550	1STQ007189A0000	1STQ001204M0000	1/1
Internal bottom	1100	400	PBWP1030	1STQ007196A0000	1STQ001207M0000	1/1
Internal bottom	1100	600	PBWP1050	1STQ007197A0000	1STQ001208M0000	1/1
Internal bottom*	1350	400	PBWP1230	1STQ007200A0000	1STQ001211M0000	1/1
Internal bottom*	1350	600	PBWP1250	1STQ007201A0000	1STQ001212M0000	1/1

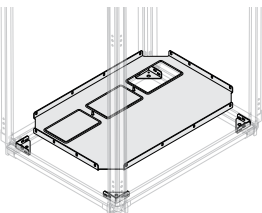
\* Made in two pieces.



### Internal blind bottom for column with plinth - IP40

Internal galvanized steel bottom. The dedicated fixed cable incoming flanges RF... can be mounted. The cut out is 450x180mm for 500mm deep panel and 345x180mm for 300mm deep panel.

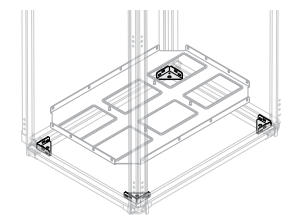
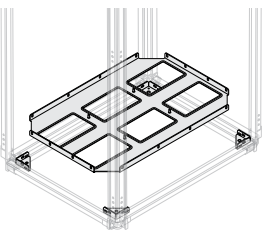
Description	External dimensions H (mm)		Order code	ABB code	Delivered assembled ABB code	Package/ No. pcs
	W	D				
Internal blind bottom	600	400	PBWF5031	1STQ001305M0000	1STQ001305M0000	1/1
Internal blind bottom	600	600	PBWF5051	1STQ001306M0000	1STQ001306M0000	1/1



### Internal open bottom for column D ≥ 400mm without plinth - IP40

Internal galvanized steel bottom with special brackets kit included (special brackets kit available also as spare part with the code PBRB0004). The cut out is 197x121mm, the distance between the cut out is 250mm in width and 200mm in depth (for two rows type). The dedicated fixed cable incoming flanges TZ... can be mounted on the external side. It is mandatory to use the plinth.

Description	External dimensions H (mm)		Delivered in kit		Delivered assembled	Package/ No. pcs
	W	D	Order code	ABB code	ABB code	
<b>One row</b>						
Internal bottom	600	400	PBWF3056	1STQ002232B0000	1STQ001222M0000	1/1
Internal bottom	600	600	PBWF5050	1STQ002234B0000	1STQ001223M0000	1/1
Internal bottom	850	400	PBWF7536	1STQ002240B0000	1STQ001225M0000	1/1
Internal bottom	850	600	PBWF7556	1STQ002241B0000	1STQ001226M0000	1/1
Internal bottom	1100	400	PBWF1036	1STQ002215B0000	1STQ001228M0000	1/1
Internal bottom	1100	600	PBWF1056	1STQ002216B0000	1STQ001229M0000	1/1
Internal bottom	1350	400	PBWF1236	1STQ002221B0000	1STQ001231M0000	1/1
Internal bottom	1350	600	PBWF1256	1STQ002222B0000	1STQ001232M0000	1/1
<b>Two rows</b>						
Internal bottom	600	600	PBWF5057	1STQ002236B0000	1STQ001236M0000	1/1
Internal bottom	850	600	PBWF7557	1STQ002242B0000	1STQ001238M0000	1/1
Internal bottom	1100	600	PBWF1057	1STQ002217B0000	1STQ001240M0000	1/1
Internal bottom	1350	600	PBWF1257	1STQ002223B0000	1STQ001242M0000	1/1

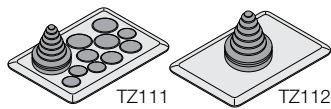
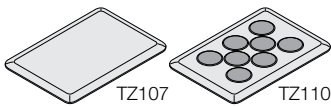
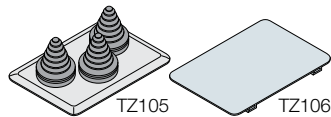
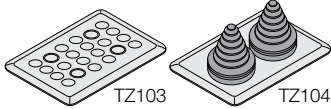
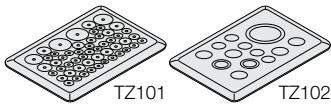


### Special brackets kit

Description	Delivered in kit		Delivered assembled	Package/ No. pcs
	Order code	ABB code	ABB code	
No.4 brackets for base without plinth	PBRB0004	1STQ008127A0000		1/4

# System pro E power

## 185 mm Busbar System - Order codes



### IP55 flanges for open bottom/top

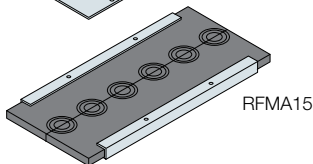
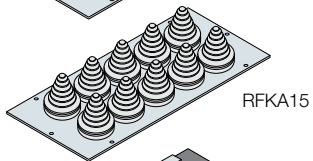
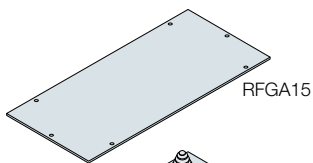
The flanges can be fitted into top/bottom panel with cut out 197x121mm. The cable glands allow to install several cables and ensure the protection of the components within the enclosures. The plastic ones can be easily perforated.

Description	Material	Order code	ABB code	Package/ No. pcs
Flange for 52 entries	Plastic	TZ101	2CPX010450R9999	1/1
Flange for 52 entries 10pcs	Plastic	TZ101P10	2CPX010451R9999	1/10
Flange 1M63/50 2M32/20	Plastic	TZ102	2CPX010452R9999	1/1
Flange 1M63/50 2M32/20 10psc	Plastic	TZ102P10	2CPX010453R9999	1/10
Flange 4xM20/M25 18xM20	Plastic	TZ103	2CPX010454R9999	1/1
Flange 4xM20/M25 18xM20 10pcs	Plastic	TZ103P10	2CPX010455R9999	1/10
Flange 2 cable sleeves	Plastic	TZ104*	2CPX010456R9999	1/1
Flange 2 cable sleeves 10pcs	Plastic	TZ104P10*	2CPX010932R9999	1/10
Flange 3 cable sleeves	Plastic	TZ105	2CPX010457R9999	1/1
Flange 3 cable sleeves 10pcs	Plastic	TZ105P10	2CPX010933R9999	1/10
Metal flange plate	Sheet steel	TZ106	2CPX010458R9999	1/1
Metal gland plate 10pcs	Sheet steel	TZ106P10	2CPX010459R9999	1/10
Closing flange	Plastic	TZ107	2CPX010460R9999	1/1
Closing flange 10PCE	Plastic	TZ107P10	2CPX010461R9999	1/10
Flange 8x13-34mm	Plastic	TZ110	2CPX010850R9999	1/1
Flange 8x13-34mm 10pcs	Plastic	TZ110P10	2CPX010934R9999	1/10
Flange for 11 entries	Plastic	TZ111	2CPX010851R9999	1/1
Flange for 11 entries 10pcs	Plastic	TZ111P10	2CPX010935R9999	1/10
Flange 1 cable sl. 14-68mm	Plastic	TZ112*	2CPX010852R9999	1/1

\* These flanges have height greater than the plinth 100mm.

### Flanges for open bottom/top

For bottom with cut out 450x180mm (for 600mm deep panel).



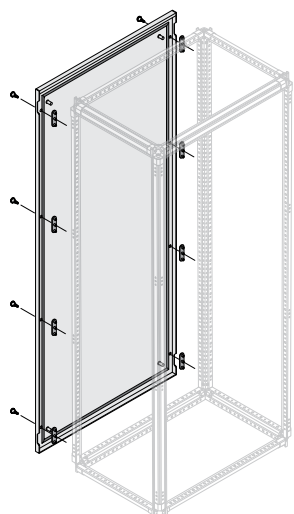
Description	Order code	ABB code	Package/ No. pcs
Closed flanges	RFGA2	2CPX021408R9999	1/1
Aluminium flanges with cable sleeves 14-68mm	RFKA2	2CPX021414R9999	1/1
Flanges with rubber for cables	RFMA2	2CPX021420R9999	1/1

For bottom with cut out 345x180mm (for 400 mm deep panel).

Description	Order code	ABB code	Package/ No. pcs
Closed flanges	RFGA15	2CPX021407R9999	1/1
Aluminium flanges with cable sleeves 14-68mm	RFKA15	2CPX021413R9999	1/1
Flanges with rubber for cables	RFMA15	2CPX021419R9999	1/1

### External blind front/rear panel IP55

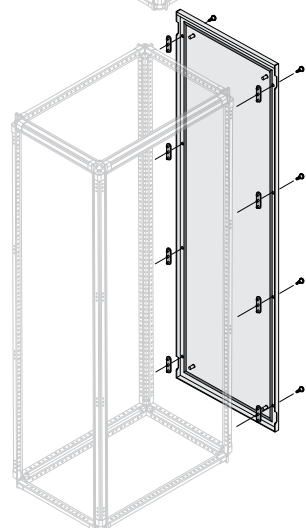
Pickled sheet steel with gasket and plugs IP55.



Description	External dimensions (mm)		Order code	ABB code	Package/ No. pcs	
	H	W				
Blind front/rear panel	1900	600	PPEB1856	1STQ007579A0000	1/1	
Blind front/rear panel	1900	850	PPEB1875	1STQ007582A0000	1/1	
Blind front/rear panel	1900	1100	PPEB1816	1STQ007585A0000	1/1	
Blind front/rear panel W=1250mm	Left	1900	675	PPLB1826	1STQ002290B0000	1/1
	Right	1900	675	PPRB1826	1STQ002292B0000	1/1
Blind front/rear panel		2200	600	PPEB2156	1STQ002287B0000	1/1
Blind front/rear panel		2200	850	PPEB2175	1STQ007603A0000	1/1
Blind front/rear panel		2200	1100	PPEB2116	1STQ002284B0000	1/1
Blind front/rear panel W=1250mm	Left	2200	675	PPLB2126	1STQ002291B0000	1/1
	Right	2200	675	PPRB2126	1STQ002293B0000	1/1

### External blind side panel IP55

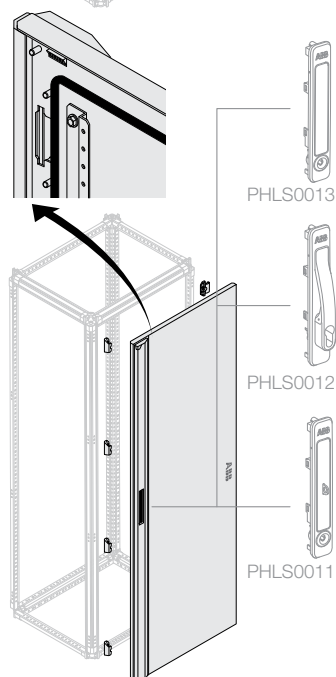
Pickled sheet steel with gasket and plugs IP55. The code refers to one single side panel.



Description	External dimensions H (mm)		Delivered in kit		Delivered assembled	Package/ No. pcs
	H	D	Order code	ABB code	ABB code	
Blind side panel	1900	400	PPEB1836	1STQ007577A0000	1STQ001247M0000	1/1
Blind side panel	1900	600	PPEB1856	1STQ007579A0000	1STQ001244M0000	1/1
Blind side panel	2200	400	PPEB2136	1STQ002286B0000	1STQ001250M0000	1/1
Blind side panel	2200	600	PPEB2156	1STQ002287B0000	1STQ001245M0000	1/1

### Blind door IP55 (without lever)

Pickled sheet steel with gasket. Opens through 135° (single column), 105° for 2+ side by side structures. Complete with 4 hinges to be screwed onto the uprights, 4 door closing brackets. Doors can be mounted both on the front and on the back of the enclosures. Reinforcing tubes for W>400mm.



Description	External dimensions (mm)		Delivered in kit		Delivered assembled	Package/ No. pcs
	H	W	Order code	ABB code	ABB code	
Blind door	1900	600	PDNB1856	1STQ002264B0000	1STQ001253M0000	1/1
Blind door	1900	850	PDNB1876	1STQ002265B0000	1STQ001254M0000	1/1
Blind door	1900	1100	PDNB1816	1STQ002262B0000	1STQ001255M0000	1/1
Blind door W=1000mm*		550	PDLB8126	1STQ002259B0000	1STQ001256M0000	1/1
		550	PDNB8506	1STQ002271B0000	1STQ001257M0000	1/1
Blind door W=1250mm*		550	PDLB8126	1STQ002259B0000	1STQ001256M0000	1/1
		800	PDNB8406	1STQ002270B0000	1STQ001258M0000	1/1
Blind door	2200	600	PDNB2156	1STQ002268B0000	1STQ001260M0000	1/1
Blind door	2200	850	PDNB2176	1STQ002269B0000	1STQ001261M0000	1/1
Blind door	2200	1100	PDNB2116	1STQ002266B0000	1STQ001262M0000	1/1
Blind door W=1000mm*		550	PDLB1126	1STQ002258B0000	1STQ001263M0000	1/1
		550	PDNB1506	1STQ002261B0000	1STQ001264M0000	1/1
Blind door W=1250mm*		550	PDLB1126	1STQ002258B0000	1STQ001263M0000	1/1
		800	PDNB1406	1STQ002260B0000	1STQ001265M0000	1/1

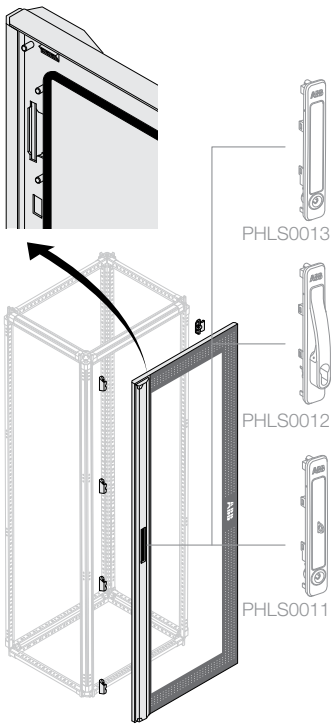
\* for 1000/1250mm width configurations ordered PDLG.... + PDNG....

Handles to be ordered separately, see page 3/17.

# System pro E power

## 185 mm Busbar System - Order codes

3



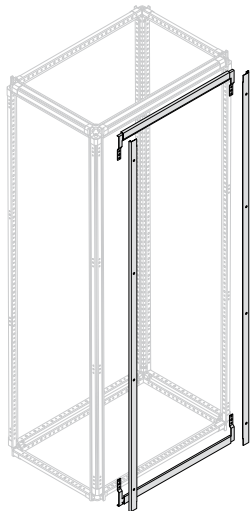
### Glazed door IP55 (without lever)

Pickled sheet steel with gasket. Opens through 135° (single column), 105° for 2+ side by side columns. Complete with 4 hinges to be screwed onto the uprights, 4 door closing brackets. Doors can be mounted both on the front and on the back of the enclosures. Can be hinged on both, left and right side. Without reinforcing tubes.

Description	External dimensions (mm)		Delivered in kit		Delivered assembled	Package/ No. pcs
	H	W	Order code	ABB code	ABB code	
Glazed door	1900	600	PDNG1856	1STQ002275B0000	1STQ001266M0000	1/1
Glazed door	1900	850	PDNG1876	1STQ002276B0000	1STQ001267M0000	1/1
Glazed door	1900	1100	PDNG1816	1STQ002274B0000	1STQ001268M0000	1/1
Glazed door W=1000mm*	1900	550	PDLG8126	1STQ007312A0000	1STQ001269M0000	1/1
		550	PDNG8506	1STQ002281B0000	1STQ001270M0000	1/1
Glazed door W=1000mm*	1900	550	PDLG8126	1STQ007312A0000	1STQ001269M0000	1/1
		800	PDNG8406	1STQ002280B0000	1STQ001271M0000	1/1
Glazed door	2200	600	PDNG2156	1STQ002278B0000	1STQ001272M0000	1/1
Glazed door	2200	650	PDNG2176	1STQ002279B0000	1STQ001273M0000	1/1
Glazed door	2200	1100	PDNG2116	1STQ002277B0000	1STQ001274M0000	1/1
Glazed door W=1000mm*	2200	550	PDLG1126	1STQ002547B0000	1STQ001275M0000	1/1
		550	PDNG1506	1STQ002273B0000	1STQ001276M0000	1/1
Glazed door W=1250mm*	2200	550	PDLG1126	1STQ002547B0000	1STQ001275M0000	1/1
		800	PDNG1406	1STQ002272B0000	1STQ001277M0000	1/1

\* for 1000/1250mm width configurations ordered PDLG.... + PDNG....

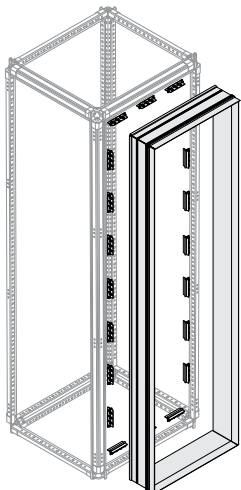
Handles to be ordered separately, see page 3/17.



### Horizontal/vertical front closing profiles IP30

Pickled sheet painted RAL 7012.

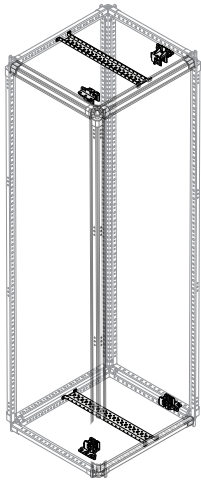
Description	External dimensions H (mm)		Delivered in kit		Delivered assembled	Package/ No. pcs
	H	W	Order code	ABB code	ABB code	
<b>Finishing profiles vertical structure</b>						
No.2 profiles	1900		PPFV1800	1STQ008059A0000	1STQ001278M0000	1/2
No.2 profiles	2200		PPFV2100	1STQ002289B0000	1STQ001279M0000	1/2
<b>Finishing profiles horizontal structure</b>						
No.2 profiles		600	PPFH0500	1STQ009416A0000	1STQ001281M0000	1/2
No.2 profiles		850	PPFH0750	1STQ009398A0000	1STQ001282M0000	1/2
No.2 profiles		1100	PPFH1000	1STQ008057A0000	1STQ001283M0000	1/2
No.2 profiles		1350	PPFH1250	1STQ008058A0000	1STQ001284M0000	1/2



### Touch guard profile - dedicated solution for CombiLine N

Profile to guarantee IP30 touch protection with CombiLine N modules installed.

Description	External dimensions H (mm)		Delivered in kit		Delivered assembled	Package/ No. pcs
	H	W	Order code	ABB code	ABB code	
Touch Guard profile	1900	600	PCTG1850	1STQ009406A0000	1STQ001286M0000	1/1
Touch Guard profile	1900	850	PCTG1875	1STQ009385A0000	1STQ001287M0000	1/1
Touch Guard profile	1900	1100	PCTG1810	1STQ009928A0000	1STQ001288M0000	1/1
Touch Guard profile	1900	1350	PCTG1812	1STQ001319B0000	1STQ001289M0000	1/1
Touch Guard profile	2200	600	PCTG2150	1STQ002256B0000	1STQ001291M0000	1/1
Touch Guard profile	2200	850	PCTG2175	1STQ002257B0000	1STQ001292M0000	1/1
Touch Guard profile	2200	1100	PCTG2110	1STQ002253B0000	1STQ001293M0000	1/1
Touch Guard profile	2200	1350	PCTG2112	1STQ002254B0000	1STQ001294M0000	1/1



### Fixing set - dedicated solution for CombiLine N

Fixed set for the installation of standard WR frame on System pro E power structure.

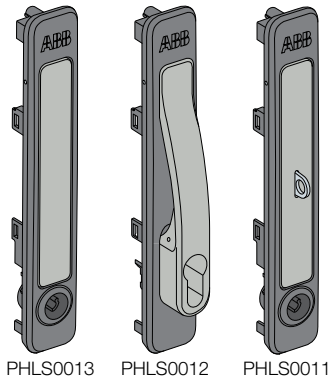
Description	Delivered in kit		Delivered assembled	Package/ No. pcs
	Order code	ABB code	ABB code	
CombiLine N fixing set <sup>(1)</sup>	PBCM0004	1STQ009354A0000	1STQ001295M0000	1/4
<b>Depth support <sup>(2)</sup></b>				
No.2 Crosspieces D=600mm	PDFC0500	1STQ001931B0000	1STQ001298M0000	1/2
No.4 WR mounting frame holder	RZ1P4	2CPX045950R9999	2CPX023978R9999	1/4
No. 2 Crosspieces D=400mm	PDFC0300	1STQ001930B0000	1STQ001297M0000	1/2

<sup>(1)</sup> It allows the fixing of wr frame at the outer position of the column.

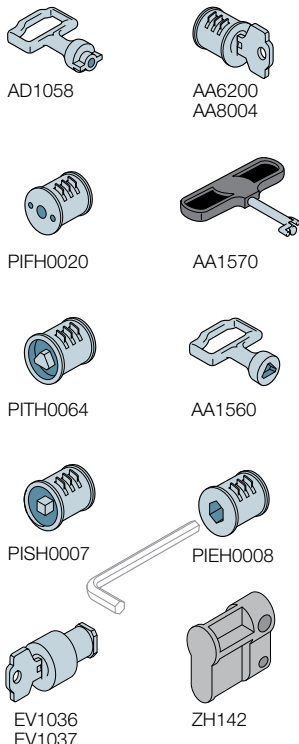
<sup>(2)</sup> It allows the fixing of wr frame at the intermediate positions in width, PDFC... to be ordered together with RZ1P4.

### Levers and inserts

The lever is not included in the door's code, it must be always ordered in addition to the door. The inserts are interchangeable and can be easily replaced.



PHL50013 PHL50012 PHL50011



AD1058

AA6200  
AA8004

PIFH0020

AA1570

PITH0064

AA1560

PISH0007

PIEH0008

EV1036  
EV1037

ZH142

Description	Delivered in kit		Delivered assembled	Package/ No. pcs
	Order code	ABB code	ABB code	
<b>Handle</b>				
Lever handle <sup>(1)</sup>	PHL50013	1STQ002334B0000	1STQ001300M0000	1/1
Lever semicylinder inserts (40mm)	PHL50012	1STQ002283B0000	1STQ001301M0000	1/1
Padlockable lever handle <sup>(2)</sup>	PHL50011	1STQ002282B0000	1STQ001302M0000	1/1

#### Inserts and keys that can be fitted into PHL50013, PHL50011

Yale insert+key for external door, single door version	AA6200	1STQ009135A0000		1/1
E739 ronis insert+key for external door, single door version	AA8004	1STQ009136A0000		1/1
FIAT type insert for lever handle	PIFH0020	1STQ008122A0000		1/1
FIAT key	AA1570	1STQ009137A0000		1/1
6.4 triangular male insert on Ø 7.6 for external door, single door version	PITH0064	1STQ008119A0000		1/1
Key for triangular insert	AA1560	1STQ009138A0000		1/1
7 square male insert for external door, single door version	PISH0007	1STQ008120A0000		1/1
Insert 8mm hex socket type for standard handle (Key not available)	PIEH0008	1STQ008121A0000		1/1
Double tab insert for closing handle/box (spare) <sup>(3)</sup>	PIDH0010	1STQ008118A0000		1/1
Key zama for double tab insert (spare) <sup>(4)</sup>	AD1058	1STQ009134A0000		1/1
Ronis 405 insert and key for standard handle	PIRH0405	1STQ008123A0000		1/1
Ronis insert 2432 and key for standard handle	PIRH2432	1STQ002030B0000		1/1
Ronis 455 insert and key for standard handle	PIRH0455	1STQ008124A0000		1/1
Ronis 1242 insert and key for standard handle	PIRH1242	1STQ008125A0000		1/1

#### Insert that can be fitted into PHL50012

Dummy insert (instead of a semi-cylinder)	ZH142	2CPX060502R9999		1/1
---	-------	-----------------	--	-----

<sup>(1)</sup> The lever can be operated only using the key. With 3 mm double bit insert included.

<sup>(2)</sup> For padlok up to 8 mm diameter. With 3 mm double bit insert included.

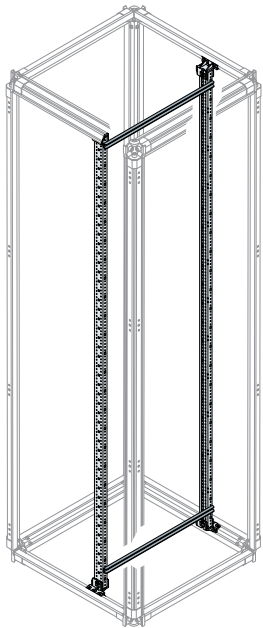
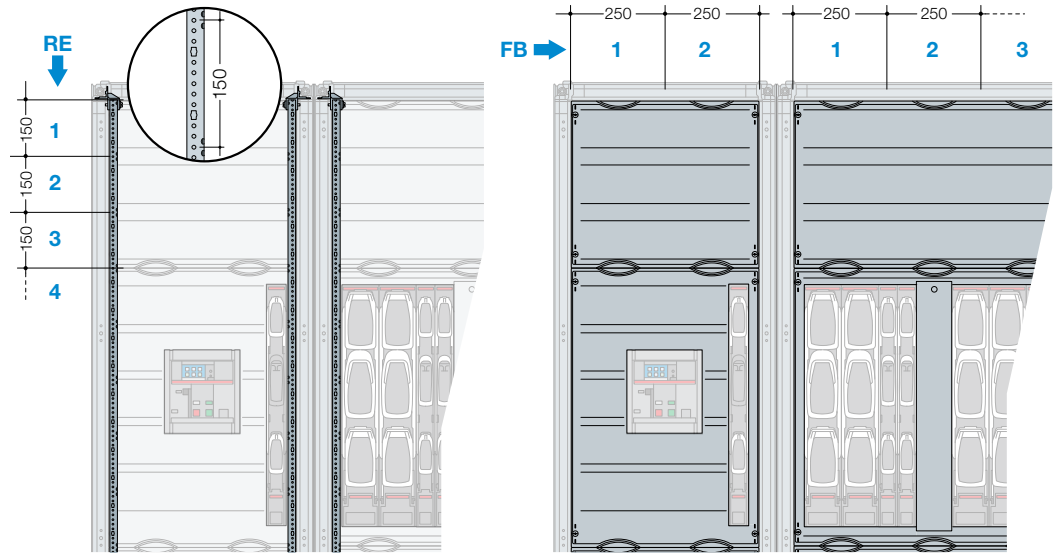
<sup>(3)</sup> This insert is the one already included in PHL50013 and PHL50011.

<sup>(4)</sup> This key is the one already included in PHL50013 and PHL50011.

# System pro E power

## 185 mm Busbar System - Order codes

3



### Mounting frame

Mounting frame is necessary to fix modules and busbars.

To be ordered twice for section with Tmax T4, T5, T6, T7, Emax E1.2, Fuse switch disconnecter and switch disconnecter fuse.

To be ordered once for section with Emax E2.2 and corner section.

External dimensions				Delivered in kit		Delivered assembled		Package/ No. pcs	
H (mm)	RE	W (mm)	FB	Order code	ABB code	Order code	ABB code		
1900	12	600	2	400	WR281	2CPX042859R9999	WRM281	2CPX042850R9999	1/1
		850	3	400	WR381	2CPX042860R9999	WRM381	2CPX042851R9999	1/1
2200	14	600	2	400	WR2101	2CPX042863R9999	WRM2101	2CPX042854R9999	1/1
		850	3	400	WR3101	2CPX042864R9999	WRM3101	2CPX042855R9999	1/1

### Tmax/Emax circuit-breakers

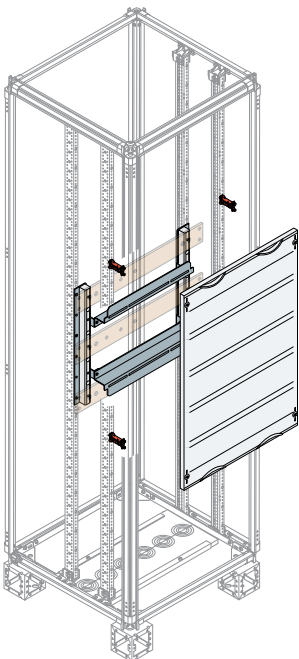
#### Tmax T4/T5/T6 - In 1000 A

Incoming/outgoing module for installation of multiple side by side breakers.

Tmax T4, T5 and T6, 3 poles, front terminals (F) and fixed execution installable.

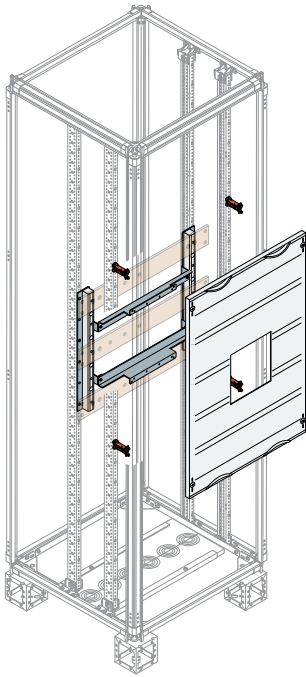
The module includes all the metal parts required, 2 busbar holders and the blind front panel (to be cut by the customer).

	width 2	width 3
	3 poles	3 poles
Tmax T4	4	6
Tmax T5	2	4
Tmax T6	2	3



External dimensions				Delivered in kit		Delivered assembled		Package/ No. pcs	
Kit H (mm)	RE	W (mm)	FB	Order code	ABB code	Order code	ABB code		
750	5	600	2	400	MBA221850	2CPX043007R9999	MA221850	2CPX043002R9999	1/1
		850	3		MBA321850	2CPX043008R9999	MA321850	2CPX043003R9999	1/1





### Tmax T7, Emax E1.2 - In up to 1600A

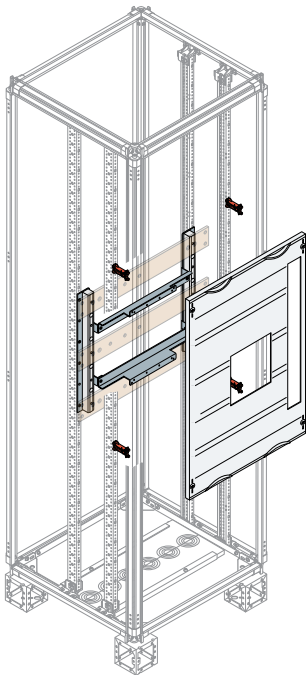
Incoming/outgoing module for installation of single breaker.

Tmax T7 or Emax E1.2, 3 poles, front terminals (F) and fixed execution installable.

The module includes all the metal parts required, 2 busbar holders and the front panel with a proper cut-out (plastic flange of the breaker cannot be fitted).

External dimensions					Delivered in kit		Delivered assembled		Package/ No. pcs
Kit H (mm)	RE	W (mm)	FB	D min. (mm)	Order code	ABB code	Order code	ABB code	
750	5	600	5	400	MBA211751	2CPX043005R9999	MA211751	2CPX043000R9999	1/1

3



### Tmax T7, Emax E1.2 - In up to 1600A with fuse switch disconnecter beside

Incoming/outgoing module for installation of single breaker.

Tmax T7 or Emax E1.2, 3 poles, front terminals (F) and fixed execution installable.

In conjunction with InLine II size 00 fuse switch disconnecter as input fuse for overvoltage protection.

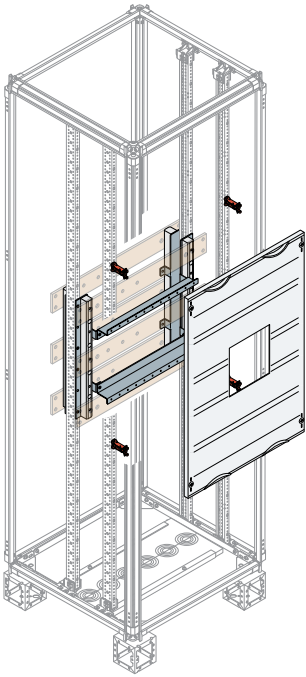
The module includes all the metal parts required, 2 busbar holders and the front panel with a proper cut-out (plastic flange of the breaker cannot be fitted).

External dimensions					Delivered in kit		Delivered assembled		Package/ No. pcs
Kit H (mm)	RE	W (mm)	FB	D min. (mm)	Order code	ABB code	Order code	ABB code	
750	5	600	2	400	MBA211759	2CPX043006R9999	MA211759	2CPX043001R9999	1/1

# System pro E power

## 185 mm Busbar System - Order codes

3



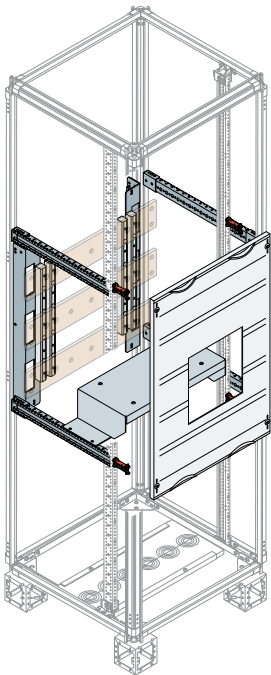
### Tmax T7, Emax E1.2 - In up to 1600A as a coupler

Incoming/outgoing module for installation of single breaker.

Tmax T7 or Emax E1.2, 3 poles, front terminals (F) and fixed execution installable.

The module includes all the metal parts required, 4 busbar holders and the front panel with a proper cut-out (plastic flange of the breaker cannot be fitted).

External dimensions					Delivered in kit		Delivered assembled		Package/ No. pcs
Kit H (mm)	RE	W (mm)	FB	D min. (mm)	Order code	ABB code	Order code	ABB code	
750	5	600	2	400	MBA231751	2CPX043009R9999	MA231751	2CPX043004R9999	1/1



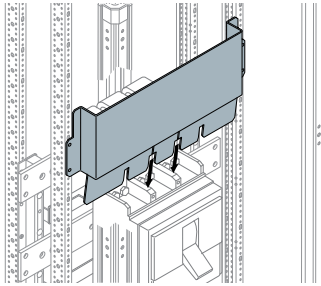
### Emax E2.2 - In up to 2000A

Incoming module for installation of single breaker.

Emax E2.2, 3 poles, rear terminals (HR) and fixed execution installable.

The module includes all the metal parts required, 2 busbar holders and the front panel with a proper cut-out (plastic flange of the breaker to be fitted).

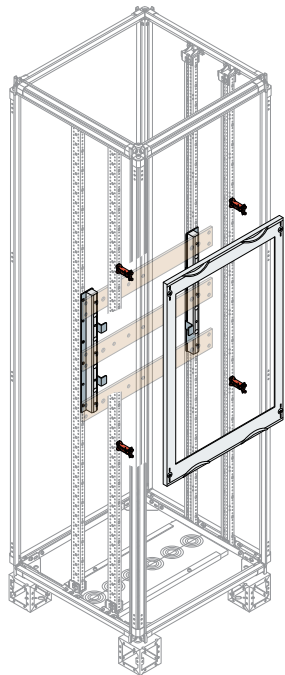
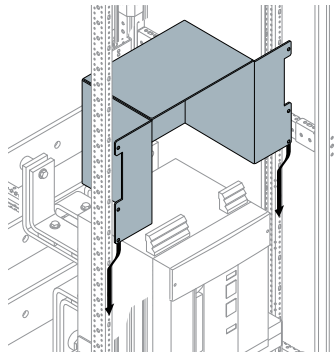
External dimensions					Delivered in kit		Delivered assembled		Package/ No. pcs
Kit H (mm)	RE	W (mm)	FB	D min. (mm)	Order code	ABB code	Order code	ABB code	
750	5	600	2	600	PMBA7550	1STQ005096B0000	PMAS7550	1STQ005097B0000	1/1



### Deviaton panel

To be ordered together with the modules for breaker installation.

Description	Order code	ABB code	Package/ No. pcs
For Emax E2.2 circuit-breakers	PPZX9271	1STQ005098B0000	1/1
For Tmax T7 and Emax E1.2 circuit-breakers	ZX971	2CPX043261R9999	1/1



### Fuse switch-disconnector modules

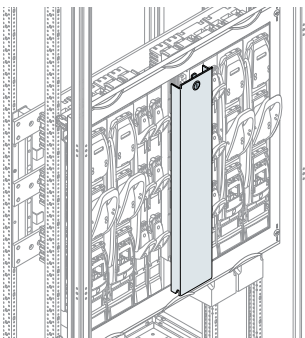
#### InLine II ZHBM 00-1-2-3

Outgoing module for installation of multiple fuse switch disconnector InLine II ZHBM (compatible also with EFEN etc.....). The module includes all the metal parts required, 2 busbar holders and the front panel with a proper cut-out.

External dimensions				Delivered in kit		Delivered assembled		Package/ No. pcs	
Kit H (mm)	RE	W (mm)	Useful FB (mm)	D min. (mm)	Order code	ABB code	Order code	ABB code	
750	5	600	2	450	MBJ24458	2CPX043020R9999	MJ24458	2CPX043018R9999	1/1
		850	3	700					

#### Covers to close reserve slots

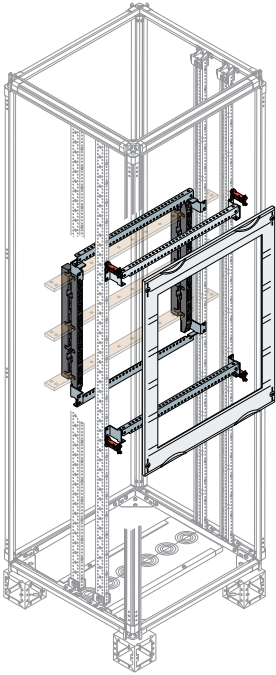
Description	Order code	ABB code	Package/ No. pcs
Width 50 mm for covering NH00 modules	ZX960	2CPX043180R9999	1/1
Width 100 mm for covering NH1-3 modules	ZX961	2CPX043181R9999	1/1



# System pro E power

## 185 mm Busbar System - Order codes

3

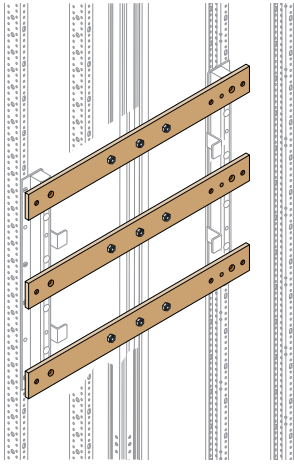


### Switch-disconnector fuse modules.

#### SlimLine XR

Outgoing module for installation of multiple switch disconnector fuse SlimLine XR (compatible also with Jean Muller etc.....). The module includes all the metal parts required, 2 busbar holders according to the dimension of the bar (ZX550, ZX551, ZX555, ZX559) and the front panel with a proper cut-out. No covers for empty slot available.

External dimensions				Delivered in kit				Delivered assembled			
Kit H (mm)	RE	W (mm)	Useful FB (mm)	D min (mm)	In (A)	Order code	ABB code	Order code	ABB code	Package/ No. pcs	
750	5	600	2	400	600	1000	MBJ25406	2CPX043028R9999	MJ25406	2CPX043022R9999	1/1
						1250	MBJ25407	2CPX043029R9999	MJ25407	2CPX043023R9999	1/1
						1600	MBJ25408	2CPX043030R9999	MJ25408	2CPX043024R9999	1/1
						2000	PMBJ5409	1STQ005100B0000	PMJS5409	1STQ005101B0000	1/1
750	5	850	3	650	600	1000	MBJ35656	2CPX043031R9999	MJ35656	2CPX043025R9999	1/1
						1250	MBJ35657	2CPX043032R9999	MJ35657	2CPX043026R9999	1/1
						1600	MBJ35658	2CPX043033R9999	MJ35658	2CPX043027R9999	1/1
						2000	PMBJ5659	1STQ005102B0000	PMJS5659	1STQ005103B0000	1/1



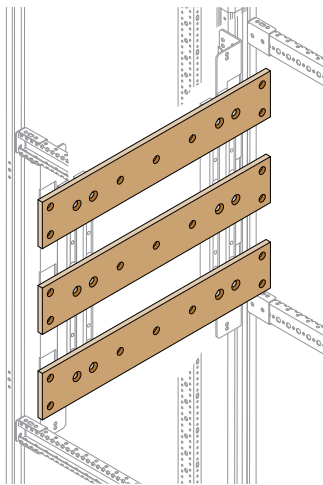
## Main busbar system, 3 poles, Tmax T7 and Emax E1.2

For single breaker installation.

Pre-engineered to fix the connections and the fuse switch disconnecter for surge arrester beside the breaker.  
Installed on the mounting frame.

Dimensions			Delivered in kit		Delivered assembled		Package/ No. pcs	
Length (mm)	FB	Cu busbar (mm)	In (A)	Order code	ABB code	Order code		ABB code
3 x 570	2	50 x 10	1000	ZXHC21763	2CPX043068R9999	ZXMHC21763	2CPX043038R9999	1/3
		60 x 10	1250	ZXHC21773	2CPX043069R9999	ZXMHC21773	2CPX043039R9999	1/3
		80 x 10	1600	ZXHC21783	2CPX043070R9999	ZXMHC21783	2CPX043040R9999	1/3
		100 x 10	2000	PPHC1793	1STQ005106B0000	PPMC1793	1STQ005107B0000	1/3

3



## Main busbar system, 3 poles, Emax E2.2

For single breaker installation.

Pre-engineered to fix the connections.

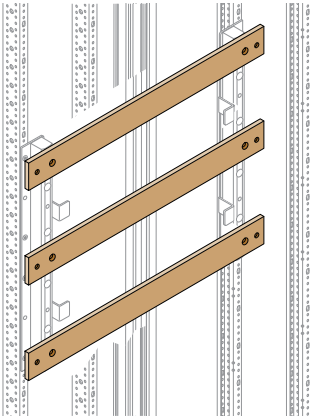
Installed on the back uprights of the structure.

Dimensions			Delivered in kit		Delivered assembled		Package/ No. pcs	
Length (mm)	FB	Cu busbar (mm)	In (A)	Order code	ABB code	Order code		ABB code
3x570	2	100x10	2000	PPHC1020	1STQ005104B0000	PPHC1021	1STQ005105B0000	1/3

# System pro E power

## 185 mm Busbar System - Order codes

3

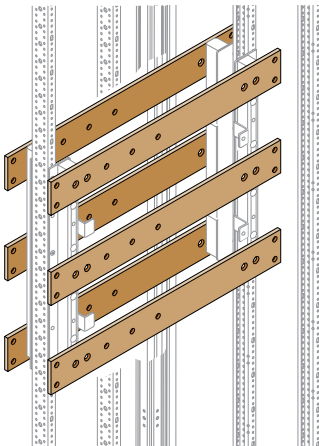


### Main busbar system, 3 poles, universal

For multiple side by side breaker installation.  
The connection holes must be done by the customer according to number and position of the breakers.  
Installed on the mountig frame.

Dimensions			Delivered in kit			Delivered assembled		Package/ No. pcs
Length (mm)	FB	Cu busbar (mm)	In (A)	Order code	ABB code	Order code	ABB code	
3 x 570	2	50 x 10	1000	ZXHC2563	2CPX043086R9999	ZXMHC2563	2CPX043056R9999	1/3
		60 x 10	1250	ZXHC2573	2CPX043087R9999	ZXMHC2573	2CPX043057R9999	1/3
		80 x 10	1600	ZXHC2583	2CPX043088R9999	ZXMHC2583	2CPX043058R9999	1/3
		100 x 10	2000	PPHC2593	1STQ005108B0000	PPMC2593	1STQ005109B0000	1/3
3 x 820	3	3 x 820	1000	ZXHC3563	2CPX043089R9999	ZXMHC3563	2CPX043059R9999	1/3
		3 x 820	1250	ZXHC3573	2CPX043090R9999	ZXMHC3573	2CPX043060R9999	1/3
		3 x 820	1600	ZXHC3583	2CPX043091R9999	ZXMHC3583	2CPX043061R9999	1/3
		3 x 820	2000	PPHC3593	1STQ005110B0000	PPMC3593	1STQ005111B0000	1/3
3 x 1070	4 <sup>(1)</sup>	3 x 1070	1000	ZXHC4563	2CPX043092R9999	ZXMHC4563	2CPX043062R9999	1/3
		3 x 1070	1250	ZXHC4573	2CPX043093R9999	ZXMHC4573	2CPX043063R9999	1/3
		3 x 1070	1600	ZXHC4583	2CPX043094R9999	ZXMHC4583	2CPX043064R9999	1/3
		3 x 1070	2000	PPHC4593	1STQ005112B0000	PPMC4593	1STQ005113B0000	1/3
3 x 1320	5 <sup>(2)</sup>	50 x 10	1000	ZXHC5563	2CPX043095R9999	ZXMHC5563	2CPX043065R9999	1/3
		60 x 10	1250	ZXHC5573	2CPX043096R9999	ZXMHC5573	2CPX043066R9999	1/3
		80 x 10	1600	ZXHC5583	2CPX043097R9999	ZXMHC5583	2CPX043067R9999	1/3
		100 x 10	2000	PPHC5593	1STQ005114B0000	PPMC5593	1STQ005115B0000	1/3

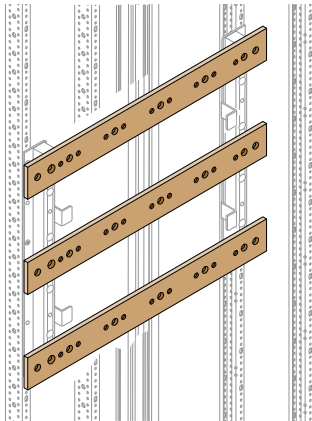
<sup>(1)</sup> 2 FB + 2FB <sup>(2)</sup> 3 FB + 2FB



### Main busbar system, 3 poles, coupler section

Two levels in depth for single breaker installation, T7 and E1.2 as coupler.  
Pre-engineered to fix the connections.  
Installed on the mounting frame.

Dimensions			Delivered in kit			Delivered assembled		Package/ No. pcs
Length (mm)	FB	Cu busbar (mm)	In (A)	Order code	ABB code	Order code	ABB code	
6 x 523	2	50 x 10	1000	ZXHC23763	2CPX043071R9999	ZXMHC23763	2CPX043041R9999	1/3
		60 x 10	1250	ZXHC23773	2CPX043072R9999	ZXMHC23773	2CPX043042R9999	1/3
		80 x 10	1600	ZXHC23783	2CPX043073R9999	ZXMHC23783	2CPX043043R9999	1/3

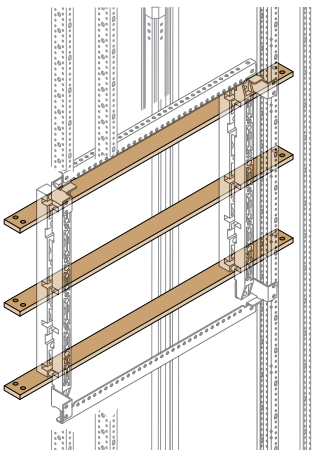


## Main busbar system, 3 poles, InLine II ZHBM

For multiple side by side fuse switch disconnector installation.  
Pre engineered to screw size 00 (M8 bolt) and size 1-2-3 (M12 bolt) devices.

Dimensions			Delivered in kit		Delivered assembled		Package/ No. pcs	
Length (mm)	FB	Cu busbar (mm)	In (A)	Order code	ABB code	Order code		ABB code
3 x 570	2	50 x 10	1000	ZXHC2463	2CPX043074R9999	ZXMHC2463	2CPX043044R9999	1/3
		60 x 10	1250	ZXHC2473	2CPX043075R9999	ZXMHC2473	2CPX043045R9999	1/3
		80 x 10	1600	ZXHC2483	2CPX043076R9999	ZXMHC2483	2CPX043046R9999	1/3
		100 x 10	2000	PPHC2493	1STQ005116B0000	PPMC2493	1STQ005117B0000	1/3
3 x 820	3	3 x 820	1000	ZXHC3463	2CPX043077R9999	ZXMHC3463	2CPX043047R9999	1/3
		3 x 820	1250	ZXHC3473	2CPX043078R9999	ZXMHC3473	2CPX043048R9999	1/3
		3 x 820	1600	ZXHC3483	2CPX043079R9999	ZXMHC3483	2CPX043049R9999	1/3
		3 x 820	2000	PPHC3493	1STQ005118B0000	PPMC3493	1STQ005119B0000	1/3
		3 x 1070	4 <sup>(1)</sup>	3 x 1070	1000	ZXHC4463	2CPX043080R9999	ZXMHC4463
3 x 1070	4 <sup>(1)</sup>	3 x 1070	1250	ZXHC4473	2CPX043081R9999	ZXMHC4473	2CPX043051R9999	1/3
		3 x 1070	1600	ZXHC4483	2CPX043082R9999	ZXMHC4483	2CPX043052R9999	1/3
		3 x 1070	2000	PPHC4493	1STQ005120B0000	PPMC4493	1STQ005121B0000	1/3
		3 x 1320	5 <sup>(2)</sup>	50 x 10	1000	ZXHC5463	2CPX043083R9999	ZXMHC5463
3 x 1320	5 <sup>(2)</sup>	60 x 10	1250	ZXHC5473	2CPX043084R9999	ZXMHC5473	2CPX043054R9999	1/3
		80 x 10	1600	ZXHC5483	2CPX043085R9999	ZXMHC5483	2CPX043055R9999	1/3
		100 x 10	2000	PPHC5493	1STQ005122B0000	PPMC5493	1STQ005123B0000	1/3

<sup>(1)</sup> 2 FB + 2 FB <sup>(2)</sup> 3 FB + 2 FB



## Main busbar system, 3 poles, SlimLine XR

For multiple side by side switch disconnector fuse installation.  
Devices plugged directly on the bars.

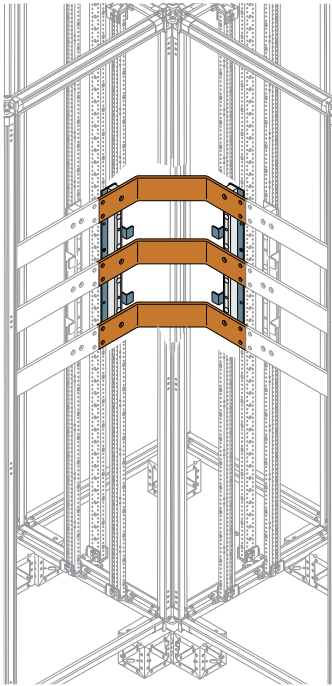
Dimensions			Delivered in kit		Delivered assembled		Package/ No. pcs	
Length (mm)	FB	Cu busbar (mm)	In (A)	Order code	ABB code	Order code		ABB code
3 x 570	2	50 x 10	1000	ZXHC2563	2CPX043086R9999	ZXMHC2563	2CPX043056R9999	1/3
		60 x 10	1250	ZXHC2573	2CPX043087R9999	ZXMHC2573	2CPX043057R9999	1/3
		80 x 10	1600	ZXHC2583	2CPX043088R9999	ZXMHC2583	2CPX043058R9999	1/3
		100 x 10	2000	PPHC2593	1STQ005108B0000	PPMC2593	1STQ005109B0000	1/3
3 x 820	3	3 x 820	1000	ZXHC3563	2CPX043089R9999	ZXMHC3563	2CPX043059R9999	1/3
		3 x 820	1250	ZXHC3573	2CPX043090R9999	ZXMHC3573	2CPX043060R9999	1/3
		3 x 820	1600	ZXHC3583	2CPX043091R9999	ZXMHC3583	2CPX043061R9999	1/3
		3 x 820	2000	PPHC3593	1STQ005110B0000	PPMC3593	1STQ005111B0000	1/3
		3 x 1070	4 <sup>(1)</sup>	3 x 1070	1000	ZXHC4563	2CPX043092R9999	ZXMHC4563
3 x 1070	4 <sup>(1)</sup>	3 x 1070	1250	ZXHC4573	2CPX043093R9999	ZXMHC4573	2CPX043063R9999	1/3
		3 x 1070	1600	ZXHC4583	2CPX043094R9999	ZXMHC4583	2CPX043064R9999	1/3
		3 x 1070	2000	PPHC4593	1STQ005112B0000	PPMC4593	1STQ005113B0000	1/3
		3 x 1320	5 <sup>(2)</sup>	50 x 10	1000	ZXHC5563	2CPX043095R9999	ZXMHC5563
3 x 1320	5 <sup>(2)</sup>	60 x 10	1250	ZXHC5573	2CPX043096R9999	ZXMHC5573	2CPX043066R9999	1/3
		80 x 10	1600	ZXHC5583	2CPX043097R9999	ZXMHC5583	2CPX043067R9999	1/3
		100 x 10	2000	PPHC5593	1STQ005114B0000	PPMC5593	1STQ005115B0000	1/3

<sup>(1)</sup> 2 FB + 2FB <sup>(2)</sup> 3 FB + 2FB

# System pro E power

## 185 mm Busbar System - Order codes

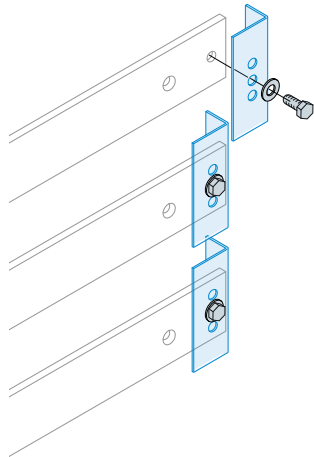
3



### Main busbar system , 3 poles, corner section.

Installed on the mounting frame in the corner section.

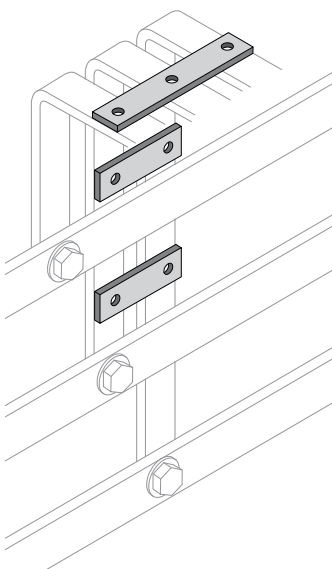
Dimensions			Delivered in kit		Delivered assembled		Package/ No. pcs	
W (mm)	D FB	Cu busbar (mm)	In (A)	Order code	ABB code	Order code		ABB code
600x600	2	50 x 10	1000	PPMB5010	1STQ005136B0000	PPMB5110	1STQ005140B0000	1/3
		60 x 10	1250	PPMB6015	1STQ005137B0000	PPMB6112	1STQ005141B0000	1/3
		80 x 10	1600	PPMB8016	1STQ005138B0000	PPMB8116	1STQ005142B0000	1/3
		100 x 10	2000	PPMB1020	1STQ005139B0000	PPMB1120	1STQ005143B0000	1/3



### Main busbar system, 3 poles, insulation accessory

For maintaining air and creepage distance between the copper busbars of the main busbar system (L1-L3 + N) and side walls, sufficient for left and right installation, including fastening elements.

Description	Order code	ABB code	Package/ No. pcs
Mounting bracket	ZX970P8	2CPX043178R9999	1/8

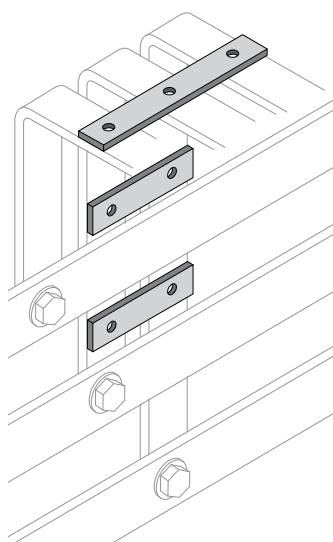


### Supporting set for connection busbar system

Connection of incoming/outgoing module for main busbar system ABB Tmax T5 circuit-breaker, 3 poles, fixed assembly with connection on front side. Connection of incoming/outgoing module for main busbar system. Compatible with ABB Tmax T5 circuit-breaker, 3 poles, fixed assembly with connection on front side. The connection center distance is 46.5 mm. Material: GFK insulation panels.

Dimensions		Delivered in kit		Delivered assembled		Package/ No. pcs
For Cu busbar (mm)	In (A)	Order code	ABB code	Order code	ABB code	
1x30x5 / 1x30x10	400/630	ZXVH13	2CPX043241R9999	ZXMHV13	2CPX043239R9999	1/3





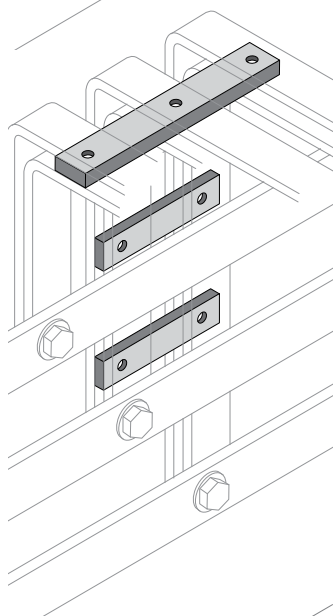
Connection of incoming/outgoing module for main busbar system.

Compatible with ABB Tmax T6 circuit-breaker, 3 poles, fixed assembly with connection on front side.

The connection center distance is 70mm.

Material: GFK insulation panels.

Dimensions		Delivered in kit		Delivered assembled		Package/ No. pcs
For Cu busbar (mm)	In (A)	Order code	ABB code	Order code	ABB code	
1x40x5 / 1x50x10	800/ 1000	ZXVH23	2CPX043242R9999	ZXMHV23	2CPX043240R9999	1/3



Connection of incoming/outgoing module for main busbar system required once.

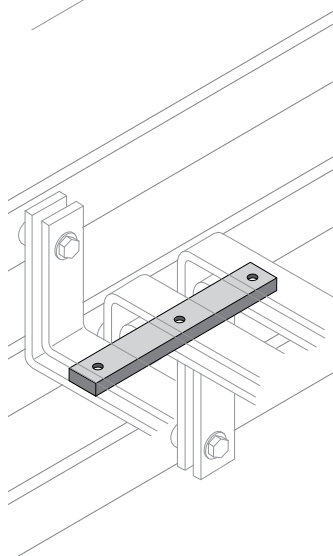
Compatible with ABB Tmax T7, Emax E1.2 circuit-breaker, 3 poles, fixed assembly with connection on front side.

The connection center distance is 70mm.

Material: GFK insulation panels.

Important: 2 of these sets are required for the bus-tie unit.

Dimensions		Delivered in kit		Delivered assembled		Package/ No. pcs
For Cu busbar (mm)	In (A)	Order code	ABB code	Order code	ABB code	
1x50x10 / 2x50x10	1000/1250/1600	ZXVH23	2CPX043242R9999	ZXMHV23	2CPX043240R9999	1/3



Connection of incoming/outgoing module for main busbar system required once.

Compatible with ABB Emax E2.2 circuit-breaker, 3 poles, fixed assembly with connection on rear terminals.

The connection centre distance is 90mm.

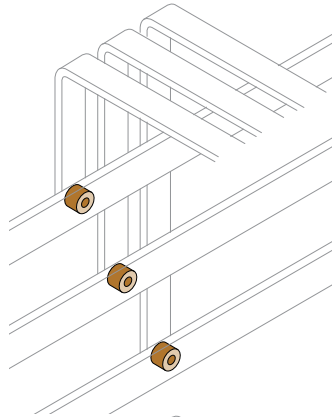
Material: GFK insulation panels.

Dimensions		Delivered in kit		Delivered assembled		Package/ No. pcs
For Cu busbar (mm)	In (A)	Order code	ABB code	Order code	ABB code	
2x60x10	2000	PPVH2024	1STQ005124B0000	PPMH2024	1STQ005125B0000	1/1

# System pro E power

## 185 mm Busbar System - Order codes

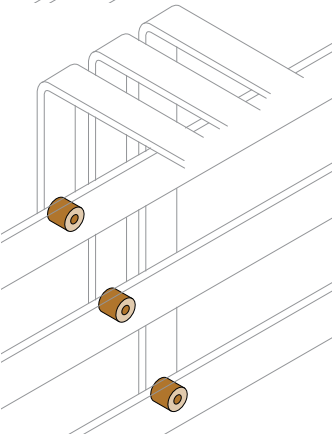
3



### Connection accessory for copper connection set

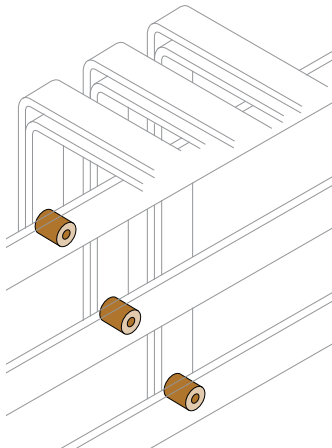
Connection of incoming/outgoing circuit-breaker for main busbar system.  
Compatible with ABB Tmax T5 circuit-breaker, 3 poles, fixed assembly with connections on front side.  
The connection center distance is 46.5 mm.  
Cu spacers included.

Dimensions				Delivered in kit		Delivered assembled		Package/ No. pcs
Ø Cu spacer (mm)	Length Cu spacer (mm)	Cu busbars (mm)	In (A)	Order code	ABB code	Order code	ABB code	
30	40	1x30x5 1x30x10	400/630	ZXVA343	2CPX043151R9999	ZXMVA343	2CPX043149R9999	1/3



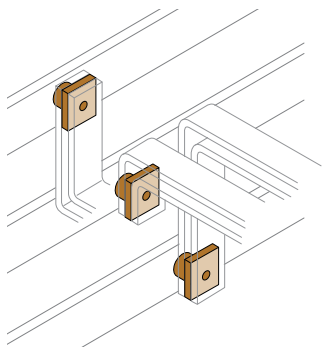
Compatible with ABB Tmax T6 circuit-breaker, 3 poles, fixed assembly with connections on front side.  
The connection center distance is 70mm.  
Cu spacers included.

Dimensions				Delivered in kit		Delivered assembled		Package/ No. pcs
Ø Cu spacer (mm)	Length Cu spacer (mm)	Cu busbars (mm)	In (A)	Order code	ABB code	Order code	ABB code	
30	40	1x40x5 1x50x10	800/1000	ZXVA343	2CPX043151R9999	ZXMVA343	2CPX043149R9999	1/3



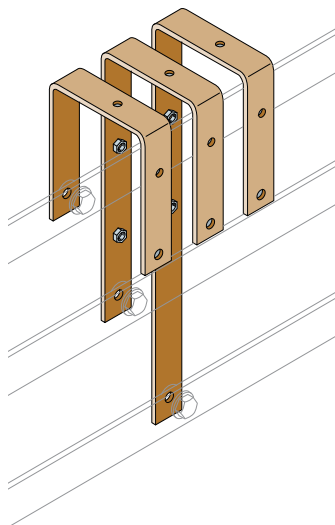
Compatible with ABB Tmax T7, Emax E1.2 circuit-breaker, 3 poles, fixed assembly with connections on front side.  
The connection center distance is 70mm.  
Cu spacers included.  
Important: 2 of these sets are required for the bus-tie unit.

Dimensions				Delivered in kit		Delivered assembled		Package/ No. pcs
Ø Cu spacer (mm)	Length Cu spacer (mm)	Cu busbars (mm)	In (A)	Order code	ABB code	Order code	ABB code	
30	30	1x50x10 2x50x10	800/1000	ZXVA333	2CPX043150R9999	ZXMVA333	2CPX043148R9999	1/3



Compatible with ABB Emax E2.2 circuit-breaker, 3 poles, fixed assembly with connections on front side.  
The connection center distance is 90mm.  
Cu spacers included.

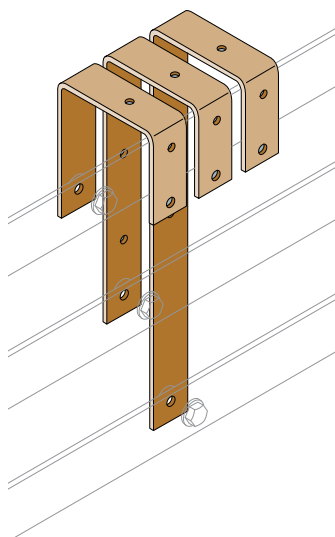
Dimensions				Delivered in kit		Delivered assembled		Package/ No. pcs
Ø Cu spacer (mm)	Length Cu spacer (mm)	Cu busbars (mm)	In (A)	Order code	ABB code	Order code	ABB code	
30	20	2 x 60 x 10	2000	PPVA3033	1STQ005126B0000	PPMA3033	1STQ005127B0000	1/3
	10	2 x 60 x 10	2000	PPVA3133	1STQ005128B0000	PPMA3133	1STQ005129B0000	1/3



### Connection set to main busbar system

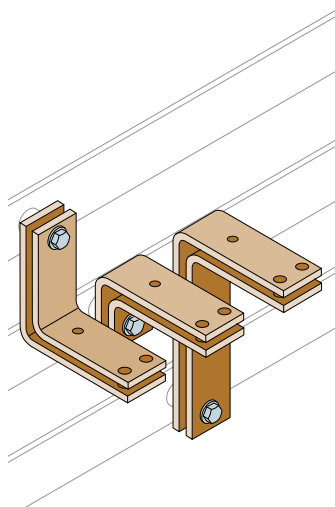
Connection of incoming/outgoing circuit-breaker for main busbar system.  
 Compatible with ABB Tmax T5 circuit-breaker, 3 poles, fixed assembly with connections on front side.  
 The connection center distance is 46.5 mm. 2 per pole possible for transformer assembly.  
 M8 voltage socket per phase including fastening elements.  
 The codes include all fastening screws for connecting the circuit-breaker and supporting set.

Dimensions		Delivered in kit		Delivered assembled		Package/ No. pcs
Cu busbars (mm)	In (A)	Order code	ABB code	Order code	ABB code	
1 x 30 x 5	400	ZXVC1533	2CPX043160R9999	ZXMVC1533	2CPX043152R9999	1/3
1 x 30 x 10	630	ZXVC1543	2CPX043161R9999	ZXMVC1543	2CPX043153R9999	1/3



Connection of incoming/outgoing module for main busbar system.  
 Compatible with ABB Tmax T6 circuit-breaker, 3 poles, fixed assembly with connections on front side.  
 The connection center distance is 70mm.  
 2 per pole possible for transformer assembly.  
 M8 voltage socket per phase including fastening elements. The codes include all fastening screws for connecting the circuit-breaker and supporting set.

Dimensions		Delivered in kit		Delivered assembled		Package/ No. pcs
Cu busbars (mm)	In (A)	Order code	ABB code	Order code	ABB code	
1 x 40 x 10	800	ZXVC1653	2CPX043162R9999	ZXMVC1653	2CPX043154R9999	1/3
1 x 50 x 10	1000	ZXVC1663	2CPX043163R9999	ZXMVC1663	2CPX043155R9999	1/3



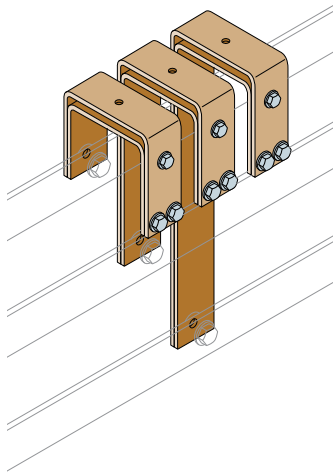
Connection of incoming/outgoing module for main busbar system compatible with ABB Emax E2.2 circuit-breaker, 3 poles, fixed assembly with connections on front side.  
 The connection center distance is 90mm.  
 the codes include all fastening screws for connecting the circuit-breaker and supporting set.

Dimensions		Delivered in kit		Delivered assembled		Package/ No. pcs
Cu busbars (mm)	In (A)	Order code	ABB code	Order code	ABB code	
2 x 60 x 10	2000	PPVC1623	1STQ005130B0000	PPMC1623	1STQ005131B0000	1/3

# System pro E power

## 185 mm Busbar System - Order codes

3



### Connection set to main busbar system

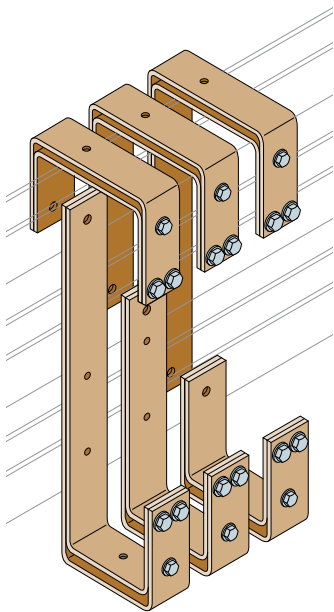
Connection of incoming/outgoing module for main busbar system compatible with ABB Tmax T7, Emax E1.2 circuit-breaker, 3 poles, fixed assembly with connections on front side.

The connection center distance is 70mm.

2 per pole possible for transformer assembly.

M8 voltage socket per phase including fastening elements. The codes include all fastening screws for connecting the circuit-breaker and supporting set.

Dimensions Cu busbars (mm)	In (A)	Delivered in kit		Delivered assembled		Package/ No. pcs
		Order code	ABB code	Order code	ABB code	
1 x 50 x 10	1000	ZXVC1763	2CPX043164R9999	ZXMVC1763	2CPX043156R9999	1/3
2 x 50 x 10	1250 / 1600	ZXVC1783	2CPX043165R9999	ZXMVC1783	2CPX043157R9999	1/3



Connection of connection module for main busbar system compatible with ABB Tmax T7, Emax E1.2 circuit-breaker, 3 poles, fixed assembly with connections on front side.

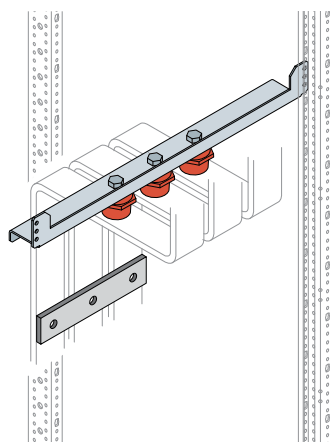
The connection center distance is 70mm.

2 per pole possible for transformer assembly.

M8 voltage socket per phase including fastening elements.

The codes include all fastening screws for connecting the circuit-breaker and supporting set.

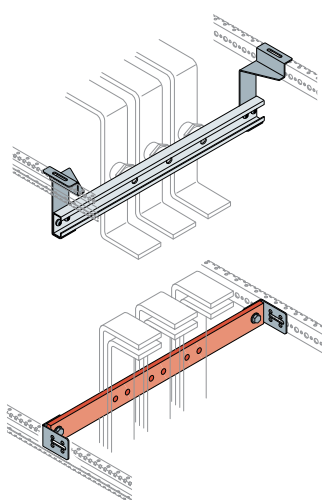
Dimensions Cu busbars (mm)	In (A)	Delivered in kit		Delivered assembled		Package/ No. pcs
		Order code	ABB code	Order code	ABB code	
1 x 50 x 10	1000	ZXVC3763	2CPX043166R9999	ZXMVC3763	2CPX043158R9999	1/3
2 x 50 x 10	1250 / 1600	ZXVC3783	2CPX043167R9999	ZXMVC3783	2CPX043159R9999	1/3



## Supporting set / in copper for busbar system

Supporting set for busbar system  
 Circuit-breaker connection for connection on site  
 Compatible with ABB Tmax T7, Emax E1.2 circuit-breaker, 3 poles, fixed assembly with connections on front side.  
 The connection center distance is 70mm.  
 GFK insulating plates, support insulators and mounting cross member included in fastening elements.

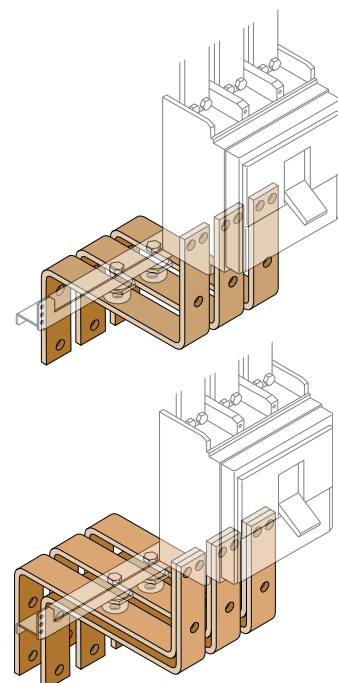
Dimensions			Delivered in kit		Delivered assembled		Package/ No. pcs
Cu busbar (mm)	FB	In (A)	Order code	ABB code	Order code	ABB code	
1 x 50 x 10	2	1000	ZXAH2122	2CPX043234R9999	ZXMAH2122	2CPX043233R9999	1/1
2 x 50 x 10		1250/1600					



## Supporting set / in copper for busbar system

Supporting set for busbar system.  
 Circuit-breaker connection for connection on site.  
 Compatible with ABB Emax E2.2 circuit-breaker, 3 poles, fixed assembly with connections on front side.  
 The connection center distance is 90mm.  
 GFK insulating plates, support insulators and mounting cross member included in fastening elements.  
 In case of incoming from the top, both codes below are required.

Dimensions			Delivered in kit		Delivered assembled		Package/ No. pcs
Cu busbar (mm)	FB	In (A)	Order code	ABB code	Order code	ABB code	
2 x 60 x 10	2	1000	PPAC6020	1STQ005132B0000	PPMC6020	1STQ005133B0000	1/1
2 x 60 x 10		2000 from top	PPAC6021	1STQ005134B0000	PPMC6021	1STQ005135B0000	



## Connection set to cables

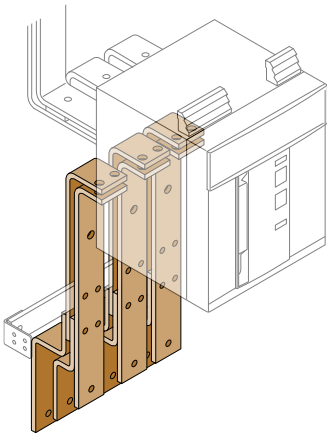
Circuit-breaker connection for connection on site compatible with ABB Tmax T7, Emax E1.2 circuit-breaker, 3 poles, fixed assembly with connections on front side.  
 The connection center distance is 70mm.  
 M8 voltage socket per phase including fastening elements.  
 the codes include all fastening screws for connecting the circuit-breaker and supporting set.  
 It cannot be used in a 400mm deep cabinet.

Dimensions			Connections in cable possible max. size (mm <sup>2</sup> )	Delivered in kit		Delivered assembled		Package/ No. pcs
Cu busbar (mm)	FB	In (A)		Order code	ABB code	Order code	ABB code	
1 x 50 x 10	2	1000	2 x 240 (M10)	ZXAC21763	2CPX043036R9999	ZXMAC21763	2CPX043034R9999	1/1
2 x 50 x 10		1250/1600	4 x 240 (M10)	ZXAC21783	2CPX043037R9999	ZXMAC21783	2CPX043035R9999	

# System pro E power

## 185 mm Busbar System - Order codes

3



### Connection set to cables

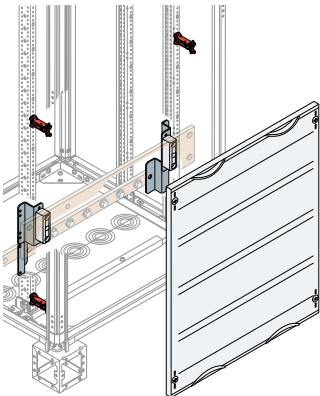
Copper busbar system.

Circuit-breaker connection for connection on site compatible with ABB Emax E2.2 circuit-breaker, 3 poles, fixed assembly with connections on rear terminals.

The connection center distance is 90mm.

The codes include all fastening screws for connecting the circuit-breaker and supporting set.

Dimensions			Connections in cable possible max. size (mm <sup>2</sup> )	Delivered in kit		Delivered assembled		Package/No. pcs
Cu busbar (mm)	FB	In (A)		Order code	ABB code	Order code	ABB code	
2 x 60 x 10	2	2000	6 x 240 (M10)	PPAC1220	1STQ005144B0000	PPMC1220	1STQ005145B0000	1/1



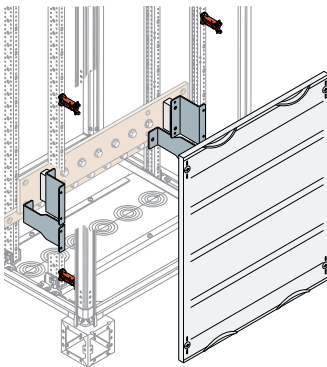
### N/PE horizontal busbars

Horizontal N/PE busbar module with all cross profiles required and busbar holder support ZX563.

The panels are without cut-out.

The mounting frame must be ordered separately.

External dimensions					Delivered in kit		Delivered assembled		Package/No. pcs
Kit H (mm)	RE	W (mm)	FB	D (mm)	Order code	ABB code	Order code	ABB code	
450	2	600	2	400	MBNH23	2CPX043010R9999	MNH23	2CPX043014R9999	1/1
	3	850	3	400	MBNH33	2CPX043011R9999	MNH33	2CPX043015R9999	1/1
600	2	600	2	400	MBNH24	2CPX043012R9999	MNH24	2CPX043016R9999	1/1
	3	850	3	400	MBNH34	2CPX043013R9999	MNH34	2CPX043017R9999	1/1



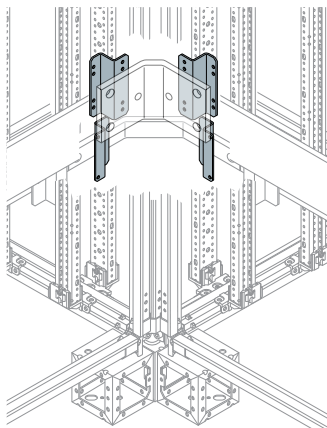
### N/PE horizontal horizontal 2000A section

Horizontal N/PE busbar module with all cross profiles required and busbar holder support ZX563.

The panels are without cut-out.

The mounting frame must be ordered separately.

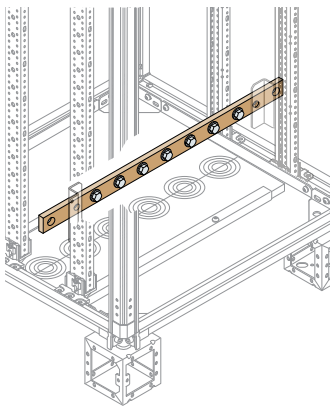
External dimensions					Delivered in kit		Delivered assembled		Package/No. pcs
H (mm)	RE	W (mm)	FB	D (mm)	Order code	ABB code	Order code	ABB code	
450	3	600	2	600	PPNH5043	1STQ005146B0000	PPNH5143	1STQ005147B0000	1/1
600	3	600	3	600	PPNH5053	1STQ005148B0000	PPNH5153	1STQ005149B0000	1/1



### N/PE horizontal corner section

Brackets and busbar holder support to fix N and PE bars in the corner section. It is installed on the mounting frame.

External dimensions				Delivered in kit		Delivered assembled		Package/No. pcs
H (mm)	W (mm)	D (mm)	Order code	ABB code	Order code	ABB code		
450/600	600	600		1STQ005411B0000		1STQ001309M0000	1/1	

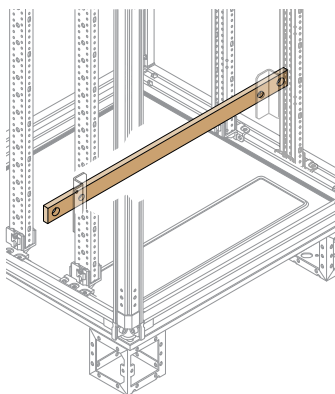


## Horizontal N busbar system

For horizontal cable compartment and for incoming/outgoing modules.  
Copper busbars included in fastening elements and fastening screws.  
100% current carrying capacity of main busbar system phases.

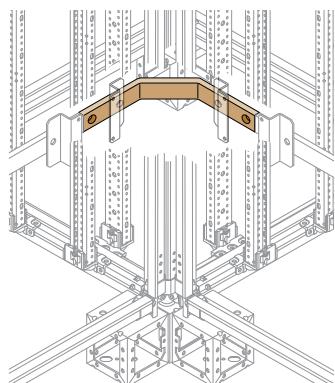
Dimensions			In (A)	Connections in cable possible max. size (mm <sup>2</sup> )	Delivered in kit		Delivered assembled		Package/ No. pcs
Length (mm)	FB	Cu busbar (mm)			Order code	ABB code	Order code	ABB code	
578	2	50 x 10	1000	7x240 (M10)	ZXNHC216	2CPX043113R9999	ZXMNHC216	2CPX043098R9999	1/1
828	3	50 x 10	1000	12x240 (M10)	ZXNHC316	2CPX043116R9999	ZXMNHC316	2CPX043101R9999	1/1
1078	4 <sup>(1)</sup>	50 x 10	1000	14x240 (M10)	ZXNHC416	2CPX043119R9999	ZXMNHC416	2CPX043104R9999	1/1
1328	5 <sup>(2)</sup>	50 x 10	1000	19x240 (M10)	ZXNHC516	2CPX043122R9999	ZXMNHC516	2CPX043107R9999	1/1
578	2	60 x 10	1250	7x240 (M10)	ZXNHC217	2CPX043114R9999	ZXMNHC217	2CPX043099R9999	1/1
828	3	60 x 10	1250	12x240 (M10)	ZXNHC317	2CPX043117R9999	ZXMNHC317	2CPX043102R9999	1/1
1078	4 <sup>(1)</sup>	60 x 10	1250	14x240 (M10)	ZXNHC417	2CPX043120R9999	ZXMNHC417	2CPX043105R9999	1/1
1328	5 <sup>(2)</sup>	60 x 10	1250	19x240 (M10)	ZXNHC517	2CPX043123R9999	ZXMNHC517	2CPX043108R9999	1/1
578	2	80 x 10	1600	7x240 (M10)	ZXNHC218	2CPX043115R9999	ZXMNHC218	2CPX043100R9999	1/1
828	3	80 x 10	1600	12x240 (M10)	ZXNHC318	2CPX043118R9999	ZXMNHC318	2CPX043103R9999	1/1
1078	4 <sup>(1)</sup>	80 x 10	1600	14x240 (M10)	ZXNHC418	2CPX043121R9999	ZXMNHC418	2CPX043106R9999	1/1
1328	5 <sup>(2)</sup>	80 x 10	1600	19x240 (M10)	ZXNHC518	2CPX043124R9999	ZXMNHC518	2CPX043109R9999	1/1
578	2	100 x 10	2000	7x240 (M10)	PPHC2119	1STQ005150B0000	PPMC2119	1STQ005154B0000	1/1
828	3	100 x 10	2000	12x240 (M10)	PPHC3119	1STQ005151B0000	PPMC3119	1STQ005155B0000	1/1
1078	4 <sup>(1)</sup>	100 x 10	2000	14x240 (M10)	PPHC4119	1STQ005152B0000	PPMC4119	1STQ005156B0000	1/1
1328	5 <sup>(2)</sup>	100 x 10	2000	19x240 (M10)	PPHC5119	1STQ005153B0000	PPMC5119	1STQ005157B0000	1/1

<sup>(1)</sup> 2 FB + 2FB <sup>(2)</sup> 3 FB + 2FB



For horizontal cable compartment and for coupler section.  
Passing copper busbars included in fastening elements.  
100% current carrying capacity of main busbar system phases.

Dimensions			In (A)	Delivered in kit		Delivered assembled		Package/ No. pcs
Length (mm)	FB	Cu busbar (mm)		Order code	ABB code	Order code	ABB code	
578	2	50 x 10	1000	ZXNHC236	2CPX043125R9999	ZXMNHC236	2CPX043110R9999	1/1
		60 x 10	1250	ZXNHC237	2CPX043126R9999	ZXMNHC237	2CPX043111R9999	1/1
		80 x 10	1600	ZXNHC238	2CPX043127R9999	ZXMNHC238	2CPX043112R9999	1/1
		100 x 10	2000	PPHC2239	1STQ005158B0000	PPMC2239	1STQ005159B0000	1/1



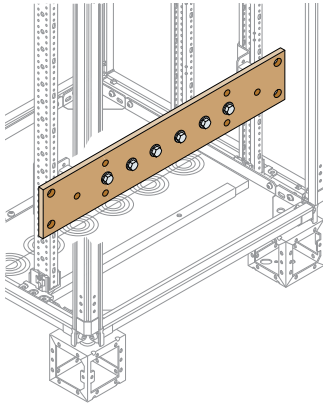
For corner section.  
Passing copper busbars included in fastening elements.  
100% current carrying capacity of main busbar system phases.

Dimensions			In (A)	Delivered in kit		Delivered assembled		Package/ No. pcs
Length (mm)	FB	Cu busbar (mm)		Order code	ABB code	Order code	ABB code	
578	2	50 x 10	1000	PPHN5010	1STQ005160B0000	PPMN5010	1STQ005164B0000	1/1
		60 x 10	1250	PPHN6012	1STQ005161B0000	PPMN6012	1STQ005165B0000	1/1
		80 x 10	1600	PPHN8016	1STQ005162B0000	PPMN8016	1STQ005166B0000	1/1
		100 x 10	2000	PPHN1020	1STQ005163B0000	PPMN1020	1STQ005167B0000	1/1

# System pro E power

## 185 mm Busbar System - Order codes

3

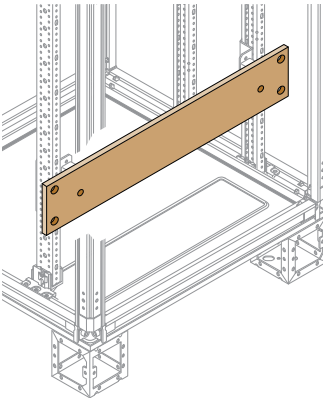


### Horizontal PE busbar system

For horizontal cable compartment and for incoming/outgoing modules.  
Copper busbars included in fastening elements and fastening screws.

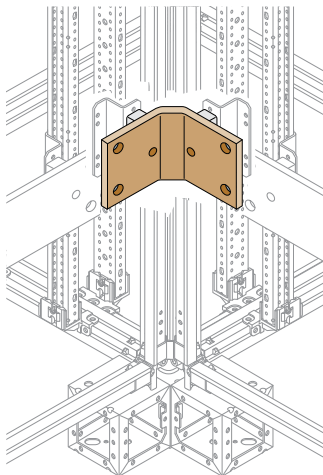
Dimensions			In (A)	Connections in cable possible max. size (mm <sup>2</sup> )	Delivered in kit		Delivered assembled		Package/ No. pcs
Length (mm)	FB	Cu busbar (mm)			Order code	ABB code	Order code	ABB code	
578	2	30 x 10	1000/1250	8x240 (M10)	ZXPHC217	2CPX043138R9999	ZXMPHC217	2CPX043128R9999	1/1
828	3	30 x 10	1000/1250	13x240 (M10)	ZXPHC317	2CPX043140R9999	ZXMPHC317	2CPX043130R9999	1/1
1078	4 <sup>(1)</sup>	30 x 10	1000/1250	16x240 (M10)	ZXPHC417	2CPX043142R9999	ZXMPHC417	2CPX043132R9999	1/1
1328	5 <sup>(2)</sup>	30 x 10	1000/1250	21x240 (M10)	ZXPHC517	2CPX043144R9999	ZXMPHC517	2CPX043134R9999	1/1
578	2	40 x 10	1600/2000	8x240 (M10)	ZXPHC218	2CPX043139R9999	ZXMPHC218	2CPX043129R9999	1/1
828	3	40 x 10	1600/2000	13x240 (M10)	ZXPHC318	2CPX043141R9999	ZXMPHC318	2CPX043131R9999	1/1
1078	4 <sup>(1)</sup>	40 x 10	1600/2000	16x240 (M10)	ZXPHC418	2CPX043143R9999	ZXMPHC418	2CPX043133R9999	1/1
1328	5 <sup>(2)</sup>	40 x 10	1600/2000	21x240 (M10)	ZXPHC518	2CPX043145R9999	ZXMPHC518	2CPX043135R9999	1/1

<sup>(1)</sup> 2 FB + 2 FB    <sup>(2)</sup> 3 FB + 2FB



For horizontal cable compartment and for coupler section.  
Passing copper busbars included in fastening elements.  
50% current carrying capacity of conductors outside main busbar system.

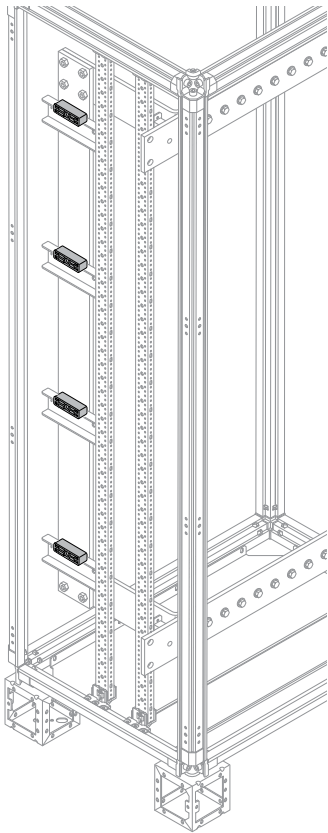
Dimensions			In (A)	Delivered in kit		Delivered assembled		Package/ No. pcs
Length (mm)	FB	Cu busbar (mm)		Order code	ABB code	Order code	ABB code	
570	2	30 x 10	1000/1250	ZXPHC237	2CPX043146R9999	ZXMPHC237	2CPX043136R9999	1/1
		40x 10	1600/2000	ZXPHC238	2CPX043147R9999	ZXMPHC238	2CPX043137R9999	1/1



For corner section and for connection module.  
Passing copper busbars included in fastening elements.  
50% current carrying capacity of conductors outside main busbar system.

Dimensions			In (A)	Delivered in kit		Delivered assembled		Package/ No. pcs
Length (mm)	FB	Cu busbar (mm)		Order code	ABB code	Order code	ABB code	
570	2	30 x 10	1000/1250	PPHC3039	1STQ005168B0000	PPMC3039	1STQ005170B0000	1/1
		40x 10	1600/2000	PPHC4039	1STQ005169B0000	PPMC4039	1STQ005171B0000	1/1



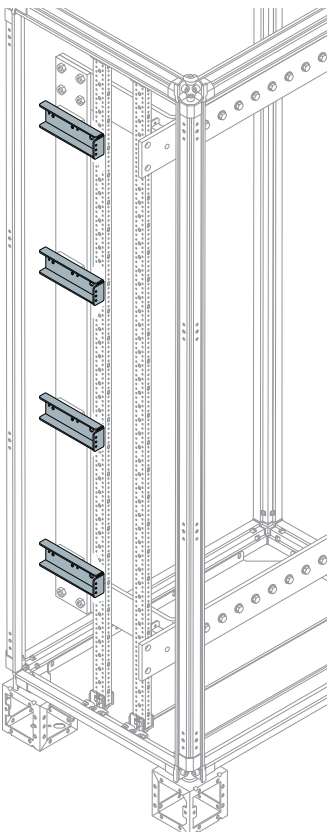


## Vertical N/PE supporting set

Vertical N busbar system supporting set for N connection of top / bottom connection compartment.  
Mounting bracket for ZX563 busbar support included in fastening elements.  
It can be installed only in the fuse switch disconnecter section.

Dimensions			Delivered in kit		Delivered assembled		Package/ No. pcs
Cu busbar (mm)	In (A)	D cabinet (mm)	Order code	ABB code	Order code	ABB code	
Up to 100x10	up to 2000	600	ZXNVH4	2CPX043237R9999	ZXMPVH4	2CPX043235R9999	1/4

3



Vertical PE busbar system supporting set for PE connection of top / bottom connection compartment.  
Mounting bracket included in fastening elements.  
It can be installed only in the fuse switch disconnecter section.

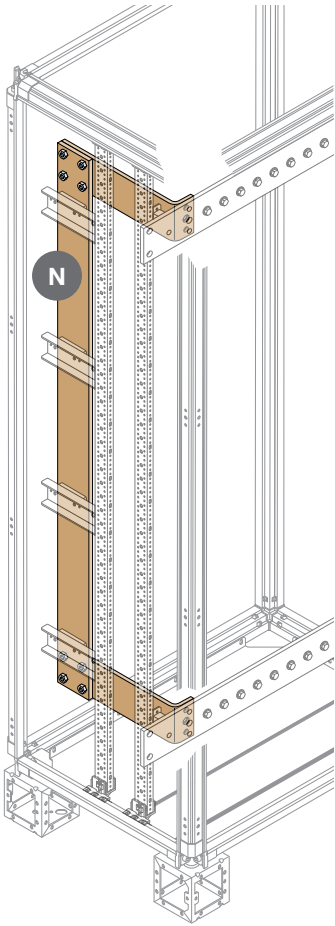
Dimensions			Delivered in kit		Delivered assembled		Package/ No. pcs
Cu busbar (mm)	In (A)	D cabinet (mm)	Order code	ABB code	Order code	ABB code	
Up to 40x10	up to 2000	600	ZXPVH4	2CPX043238R9999	ZXMPVH4	2CPX043236R9999	1/4

# System pro E power

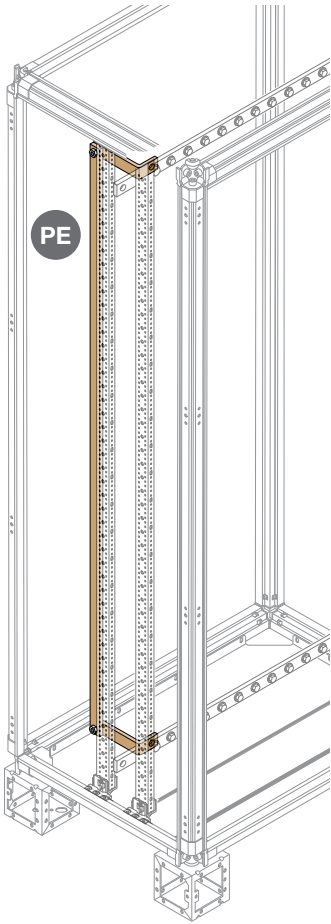
## 185 mm Busbar System - Order codes

### Vertical N/PE busbar system

For N connection of top / bottom connection compartment.  
 Passing copper busbars included in fastening elements.  
 100% current carrying capacity of main busbar system phases.



Dimensions				Delivered in kit		Delivered assembled		Package/ No. pcs
Cu busbar (mm)	In (A)	Unit RE	D cabinet (mm)	Order code	ABB code	Order code	ABB code	
50 x 10	1000	12	600	ZXNVC2126	2CPX043199R9999	ZXMNVC2126	2CPX043189R9999	1/1
60 x 10	1250	12	600	ZXNVC2127	2CPX043200R9999	ZXMNVC2127	2CPX043190R9999	1/1
80 x 10	1600	12	600	ZXNVC2128	2CPX043201R9999	ZXMNVC2128	2CPX043191R9999	1/1
100 x 10	2000	12	600	PNVC2129	1STQ005172B0000	PNNC2129	1STQ005173B0000	1/1
50 x 10	1000	14	600	ZXNVC2146	2CPX043202R9999	ZXMNVC2146	2CPX043192R9999	1/1
60 x 10	1250	14	600	ZXNVC2147	2CPX043203R9999	ZXMNVC2147	2CPX043193R9999	1/1
80 x 10	1600	14	600	ZXNVC2148	2CPX043204R9999	ZXMNVC2148	2CPX043194R9999	1/1
100 x 10	2000	14	600	PNVC2149	1STQ005174B0000	PNNC2149	1STQ005175B0000	1/1



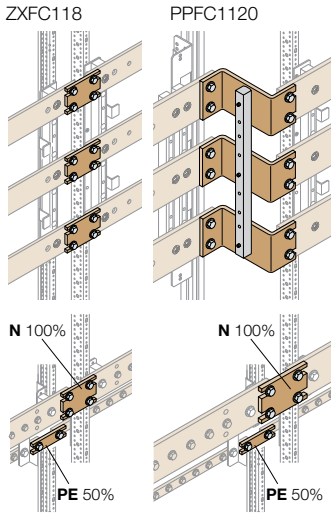
For PE connection of top / bottom connection compartment.  
 Copper busbars included in fastening elements and fastening screws.  
 50% current carrying capacity of conductors outside main busbar system.

Dimensions			Delivered in kit		Delivered assembled		Package/ No. pcs	
Cu busbar (mm)	In (A)	Unit RE	D cabinet (mm)	Order code	ABB code	Order code		ABB code
30 x 10	1000/1250	12	600	ZXPVC2127	2CPX043205R9999	ZXMPVC2127	2CPX043195R9999	1/1
40 x 10	1600/2000	12	600	ZXPVC2128	2CPX043206R9999	ZXMPVC2128	2CPX043196R9999	1/1
30 x 10	1000/1250	14	600	ZXPVC2147	2CPX043207R9999	ZXMPVC2147	2CPX043197R9999	1/1
40 x 10	1600/2000	14	600	ZXPVC2148	2CPX043208R9999	ZXMPVC2148	2CPX043198R9999	1/1

# System pro E power

## 185 mm Busbar System - Order codes

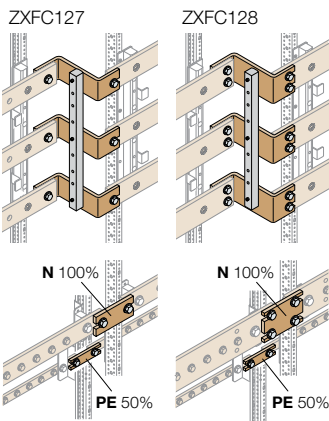
3



### Copper section to section connection

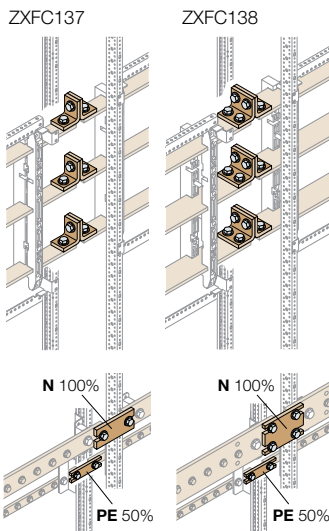
For vertical copper busbars on the same level.  
PPFC1120 to be used for E2.2 section.  
L1, L2, L3, N 100% and PE 50%.

Dimensions		Delivered in kit		Delivered assembled		Package/ No. pcs
Cu busbar (mm)	In (A)	Order code	ABB code	Order code	ABB code	
50 x 10	1000	ZXFC116	2CPX043243R9999	-	-	1/1
60 x 10	1250	ZXFC117	2CPX043244R9999	-	-	1/1
80 x 10	1600	ZXFC118	2CPX043245R9999	-	-	1/1
100 x 10 flat	2000	PPFC1119	1STQ005176B0000	-	-	1/1
100 x 10 shaped	2000	PPFC1120	1STQ005177B0000	-	-	1/1



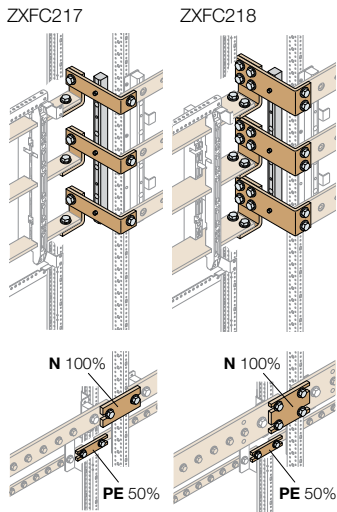
For vertical copper busbars - back row to front row.  
L1, L2, L3, N 100% and PE 50%.

Dimensions		Delivered in kit		Delivered assembled		Package/ No. pcs
Cu busbar (mm)	In (A)	Order code	ABB code	Order code	ABB code	
50 x 10	1000	ZXFC126	2CPX043249R9999	-	-	1/1
60 x 10	1250	ZXFC127	2CPX043250R9999	-	-	1/1
80 x 10	1600	ZXFC128	2CPX043251R9999	-	-	1/1



Copper panel-panel connector for copper busbars, horizontal on horizontal (for switch disconnecter fuse).  
L1, L2, L3, N 100% and PE 50%.

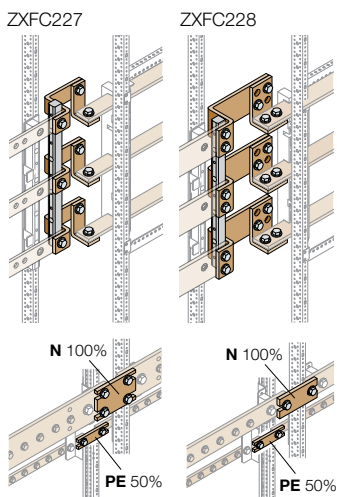
Dimensions		Delivered in kit		Delivered assembled		Package/ No. pcs
Cu busbar (mm)	In (A)	Order code	ABB code	Order code	ABB code	
50 x 10	1000	ZXFC136	2CPX043258R9999	-	-	1/1
60 x 10	1250	ZXFC137	2CPX043259R9999	-	-	1/1
80 x 10	1600	ZXFC138	2CPX043260R9999	-	-	1/1
100 x 10	2000	PPFC1139	1STQ005180B0000	-	-	1/1



### Copper section to section connection

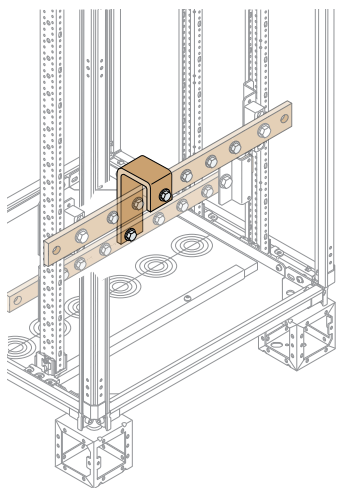
For vertical copper busbars - front row to horizontal position.  
 PPFC2220 to be used for E2.2 section.  
 L1, L2, L3, N 100% and PE 50%.

Dimensions		Delivered in kit		Delivered assembled		Package/ No. pcs
Cu busbar (mm)	In (A)	Order code	ABB code	Order code	ABB code	
50 x 10	1000	ZXFC216	2CPX043246R9999	-	-	1/1
60 x 10	1250	ZXFC217	2CPX043247R9999	-	-	1/1
80 x 10	1600	ZXFC218	2CPX043248R9999	-	-	1/1
100 x 10 flat	2000	PPFC2219	1STQ005182B0000	-	-	1/1
100 x 10 shaped	2000	PPFC2220	1STQ005183B0000	-	-	1/1



Copper panel-panel connector for vertical copper busbars - back row to horizontal position.  
 L1, L2, L3, N 100% and PE 50%.

Dimensions		Delivered in kit		Delivered assembled		Package/ No. pcs
Cu busbar (mm)	In (A)	Order code	ABB code	Order code	ABB code	
50 x 10	1000	ZXFC226	2CPX043252R9999	-	-	1/1
60 x 10	1250	ZXFC227	2CPX043253R9999	-	-	1/1
80 x 10	1600	ZXFC228	2CPX043254R9999	-	-	1/1



### Central earthing point

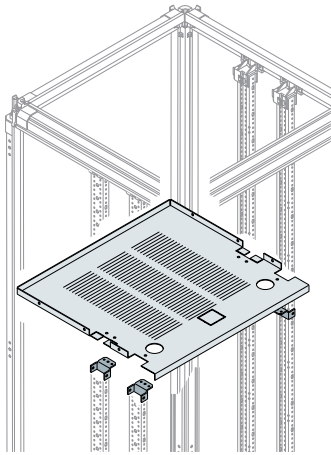
Connection between busbar PEN-/ N for busbar PE.  
 50% current carrying capacity of conductors outside main busbar system.

Dimensions		Delivered in kit		Delivered assembled		Package/ No. pcs
Cu busbar (mm)	In (A)	Order code	ABB code	Order code	ABB code	
50 x 10	1000/1250/1600	ZXZC8	2CPX043232R9999	ZXMZC8	2CPX043230R9999	1/1
50 x 10	2000		1STQ005410B0000		1STQ001308M0000	1/1

# System pro E power

## 185 mm Busbar System - Order codes

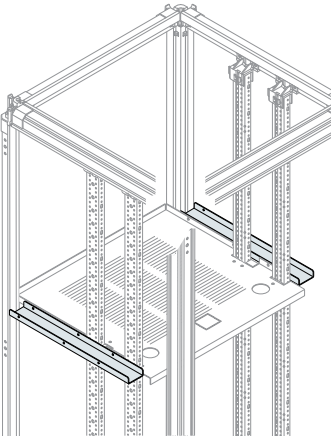
3



### Horizontal / vertical partitions

Horizontal partition in sheet steel for use of side components, type of protection IPXXB. Including M40 cable gland on right and left and fastening elements. WR mounting frame fastening position in front, position 6.

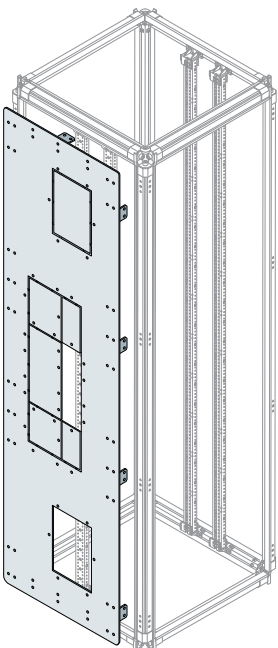
External dimensions			Delivered in kit		Delivered assembled		Package/ No. pcs
W (mm)	FB	D (mm)	Order code	ABB code	Order code	ABB code	
600	2	400	ZXTH24	2CPX043215R9999	ZXMTH24	2CPX043209R9999	1/2
850	3	400	ZXTH34	2CPX043216R9999	ZXMTH34	2CPX043210R9999	1/2
600	2	600	ZXTH26	2CPX043217R9999	ZXMTH26	2CPX043211R9999	1/2
850	3	600	ZXTH36	2CPX043218R9999	ZXMTH36	2CPX043212R9999	1/2
<b>For Emax 2.2 section</b>							
600	2	600	PPTH5050	1STQ005186B0000	PPTH5051	1STQ005187B0000	1/2



### Horizontal / vertical partitions

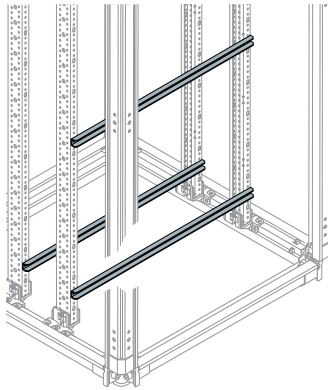
Horizontal partition wall side components (right and left), fastening elements included.

External dimensions		Delivered in kit		Delivered assembled		Package/ No. pcs
W (mm)	D (mm)	Order code	ABB code	Order code	ABB code	
	400	ZXSH4	2CPX043219R9999	ZXMSH4	2CPX043213R9999	1/1
	600	ZXSH6	2CPX043220R9999	ZXMSH6	2CPX043214R9999	1/1
<b>For Emax 2.2 section</b>						
600	600	PPSH2250	1STQ005188B0000	PPSH2251	1STQ005189B0000	1/1



Vertical partitions in steel sheet, pre-engineered for passage of busbars, fastening elements included. Compatible with PSBS0065 page 2/24.

External dimensions			Delivered in kit		Delivered assembled		Package/ No. pcs
H (mm)	RE	D (mm)	Order code	ABB code	Order code	ABB code	
2200	12	400	ZXTV412	2CPX043225R9999	ZXMTV412	2CPX043221R9999	1/1
	14	400	ZXTV414	2CPX043226R9999	ZXMTV414	2CPX043222R9999	1/1
1900	12	600	ZXTV612	2CPX043227R9999	ZXMTV612	2CPX043223R9999	1/1
2200	14	600	ZXTV614	2CPX043228R9999	ZXMTV614	2CPX043224R9999	1/1

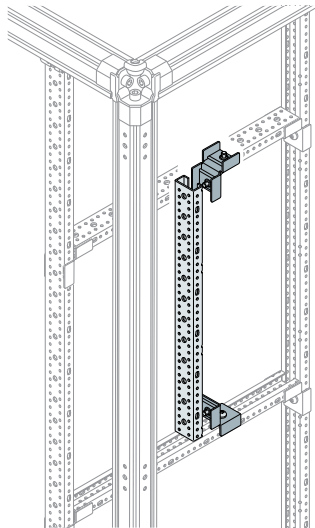


### Horizontal cross profile to divide the unit

Including fastening screws. Two cross profiles are required to divide the unit at the top and bottom.

External dimensions		Delivered in kit		Delivered assembled		Package/ No. pcs
W (mm)	FB	Order code	ABB code	Order code	ABB code	
600	2	ZW165	2CPX041862R9999	ZWM165	2CPX041444R9999	1/1
		ZW165P10	2CPX062711R9999	-	-	1/10
850	3	ZW166	2CPX041863R9999	ZWM166	2CPX041445R9999	1/1
		ZW166P10	2CPX062712R9999	-	-	1/10

3



### WR mounting frame components

#### Vertical WR profile rail

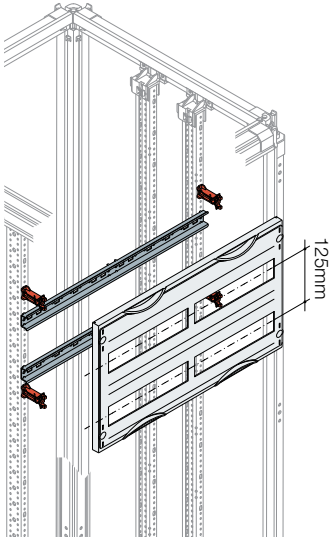
Two vertical WR profile rails are required to divide the unit lengthwise.

External dimensions		Delivered in kit		Delivered assembled		Package/ No. pcs
H (mm)	RE	Order code	ABB code	Order code	ABB code	
150	1	ZW367	2CPX041850R9999	ZWM367	2CPX041432R9999	1/1
300	2	ZW368	2CPX041851R9999	ZWM368	2CPX041433R9999	1/1
450	3	ZW369	2CPX041852R9999	ZWM369	2CPX041434R9999	1/1
600	4	ZW370	2CPX041853R9999	ZWM370	2CPX041435R9999	1/1
750	5	ZW371	2CPX041854R9999	ZWM371	2CPX041436R9999	1/1
900	6	ZW372	2CPX041855R9999	ZWM372	2CPX041437R9999	1/1

# System pro E power

## 185 mm Busbar System - Order codes

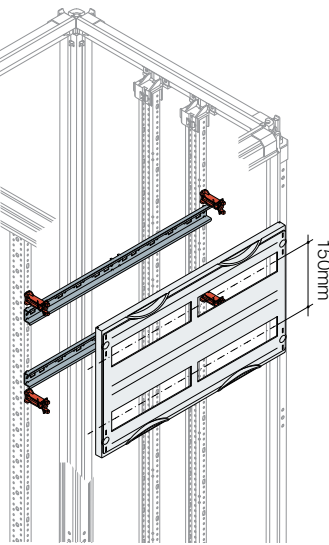
3



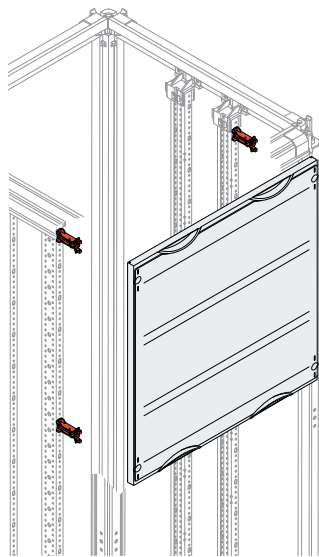
### Devices mounted in series row distance 125 mm / 150 mm

Expansion with omega busbars 35x15 : omega busbars starting from width 3 with a further stabilizing busbar.  
For devices mounted according to standard DIN 43880.  
The mounting frame must be ordered separately.

External dimensions				Delivered in kit		Delivered assembled		Package/ No. pcs	
H kit (mm)	W (mm)	D kit (mm)	RE	FB	Order code	ABB code	Order code		ABB code
<b>Row distance 125 mm</b>									
150	1	300	1	120	MBG101	2CPX041650R9999	MG101	2CPX041200R9999	1/1
		600	2	120	MBG201	2CPX041651R9999	MG201	2CPX041201R9999	1/1
		850	3	120	MBG301	2CPX041652R9999	MG301	2CPX041202R9999	1/1
300	2	300	1	120	MBG102	2CPX041653R9999	MG102	2CPX041203R9999	1/1
		600	2	120	MBG202	2CPX041655R9999	MG202	2CPX041205R9999	1/1
		850	3	120	MBG302	2CPX041657R9999	MG302	2CPX041207R9999	1/1
450	3	300	1	120	MBG103	2CPX041659R9999	MG103	2CPX041209R9999	1/1
		600	2	120	MBG203	2CPX041661R9999	MG203	2CPX041211R9999	1/1
		850	3	120	MBG303	2CPX041663R9999	MG303	2CPX041213R9999	1/1
600	4	300	1	120	MBG104	2CPX041665R9999	MG104	2CPX041215R9999	1/1
		600	2	120	MBG204	2CPX041667R9999	MG204	2CPX041217R9999	1/1
		850	3	120	MBG304	2CPX041669R9999	MG304	2CPX041219R9999	1/1
750	5	300	1	120	MBG105	2CPX041671R9999	MG105	2CPX041221R9999	1/1
		600	2	120	MBG205	2CPX041673R9999	MG205	2CPX041223R9999	1/1
		850	3	120	MBG305	2CPX041675R9999	MG305	2CPX041225R9999	1/1
<b>Row distance 150 mm</b>									
150	1	300	1	120	MBG101	2CPX041650R9999	MG101	2CPX041200R9999	1/1
		600	2	120	MBG201	2CPX041651R9999	MG201	2CPX041201R9999	1/1
		850	3	120	MBG301	2CPX041652R9999	MG301	2CPX041202R9999	1/1
300	2	300	1	120	MBG412	2CPX041654R9999	MG412	2CPX041204R9999	1/1
		600	2	120	MBG422	2CPX041656R9999	MG422	2CPX041206R9999	1/1
		850	3	120	MBG432	2CPX041658R9999	MG432	2CPX041208R9999	1/1
450	3	300	1	120	MBG413	2CPX041660R9999	MG413	2CPX041210R9999	1/1
		600	2	120	MBG423	2CPX041662R9999	MG423	2CPX041212R9999	1/1
		850	3	120	MBG433	2CPX041664R9999	MG433	2CPX041214R9999	1/1
600	4	300	1	120	MBG414	2CPX041666R9999	MG414	2CPX041216R9999	1/1
		600	2	120	MBG424	2CPX041668R9999	MG424	2CPX041218R9999	1/1
		850	3	120	MBG434	2CPX041670R9999	MG434	2CPX041220R9999	1/1
750	5	300	1	120	MBG415	2CPX041672R9999	MG415	2CPX041222R9999	1/1
		600	2	120	MBG425	2CPX041674R9999	MG425	2CPX041224R9999	1/1
		850	3	120	MBG435	2CPX041676R9999	MG435	2CPX041226R9999	1/1







## Protection against discharge

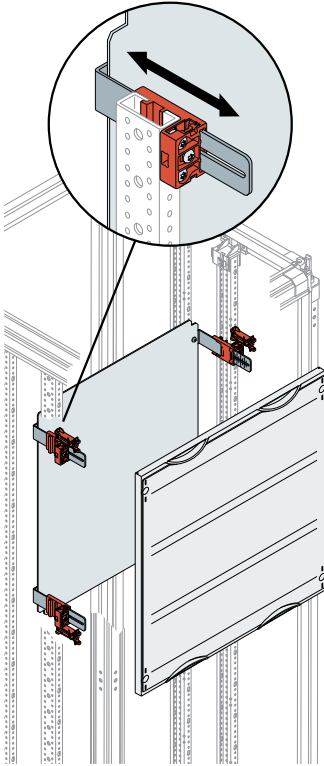
Module for use as protection against discharge or for expansion using components of the system. The mounting frame must be ordered separately.

External dimensions				Delivered in kit		Delivered assembled		Package/ No. pcs	
H kit (mm)	RE	W (mm)	FB	D kit (mm)	Order code	ABB code	Order code		ABB code
150	1	300	1	120	MBB116	2CPX041722R9999	MB116	2CPX041257R9999	1/1
		600	2	120	MBB216	2CPX041723R9999	MB216	2CPX041258R9999	1/1
		850	3	120	MBB316	2CPX041724R9999	MB316	2CPX041259R9999	1/1
300	2	300	1	120	MBB117	2CPX041725R9999	MB117	2CPX041260R9999	1/1
		600	2	120	MBB217	2CPX041726R9999	MB217	2CPX041261R9999	1/1
		850	3	120	MBB317	2CPX041727R9999	MB317	2CPX041262R9999	1/1
450	3	300	1	120	MBB118	2CPX041728R9999	MB118	2CPX041263R9999	1/1
		600	2	120	MBB218	2CPX041729R9999	MB218	2CPX041264R9999	1/1
		850	3	120	MBB318	2CPX041730R9999	MB318	2CPX041265R9999	1/1
600	4	300	1	120	MBB119	2CPX041731R9999	MB119	2CPX041266R9999	1/1
		600	2	120	MBB219	2CPX041732R9999	MB219	2CPX041267R9999	1/1
		850	3	120	MBB319	2CPX041733R9999	MB319	2CPX041268R9999	1/1
750	5	300	1	120	MBB120	2CPX041734R9999	MB120	2CPX041269R9999	1/1
		600	2	120	MBB220	2CPX041735R9999	MB220	2CPX041270R9999	1/1
		850	3	120	MBB320	2CPX041736R9999	MB320	2CPX041271R9999	1/1

# System pro E power

## 185 mm Busbar System - Order codes

3



### Mounting plates

2 mm sheet steel mounting plates.

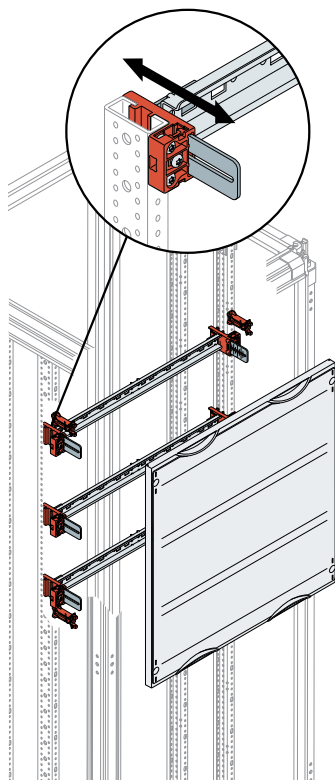
The mounting plates can be directly adjusted on deep-mounting bracket ZW59P2.

Useful depth from 103 mm to 158 mm.

Useful width for installation: width 1188 mm, width 2438 mm, width 3688 mm.

The mounting frame must be ordered separately.

External dimensions				Delivered in kit		Delivered assembled		Package/ No. pcs	
H kit (mm)	RE	W (mm)	FB	D kit (mm)	Order code	ABB code	Order code		ABB code
150	1	300	1	200	MBM111	2CPX041707R9999	MM111	2CPX041242R9999	1/1
		600	2	200	MBM211	2CPX041708R9999	MM211	2CPX041243R9999	1/1
		850	3	200	MBM311	2CPX041709R9999	MM311	2CPX041244R9999	1/1
300	2	300	1	200	MBM112	2CPX041710R9999	MM112	2CPX041245R9999	1/1
		600	2	200	MBM212	2CPX041711R9999	MM212	2CPX041246R9999	1/1
		850	3	200	MBM312	2CPX041712R9999	MM312	2CPX041247R9999	1/1
450	3	300	1	200	MBM113	2CPX041713R9999	MM113	2CPX041248R9999	1/1
		600	2	200	MBM213	2CPX041714R9999	MM213	2CPX041249R9999	1/1
		850	3	200	MBM313	2CPX041715R9999	MM313	2CPX041250R9999	1/1
600	4	300	1	200	MBM114	2CPX041716R9999	MM114	2CPX041251R9999	1/1
		600	2	200	MBM214	2CPX041717R9999	MM214	2CPX041252R9999	1/1
		850	3	200	MBM314	2CPX041718R9999	MM314	2CPX041253R9999	1/1
750	5	300	1	200	MBM115	2CPX041719R9999	MM115	2CPX041254R9999	1/1
		600	2	200	MBM215	2CPX041720R9999	MM215	2CPX041255R9999	1/1
		850	3	200	MBM315	2CPX041721R9999	MM315	2CPX041256R9999	1/1



## Horizontal terminals in series

For insulated, protected and earthed frame.

With omega busbars installed horizontally 35 x 15 mm (omega busbars directly adjustable in depth).

Useful depth for ZW39P2 from 68 mm to 115 mm and useful depth for ZW59P2 from 90 mm to 145 mm.

Useful width for terminals in series: width 1 188 mm, width 2 438 mm, width 3 688 mm.

Row distance 150 mm (can be moved if necessary).

Note: The upper omega busbar must be fixed with at least one short deep-mounting bracket (ZW39P2).

### – Module structure:

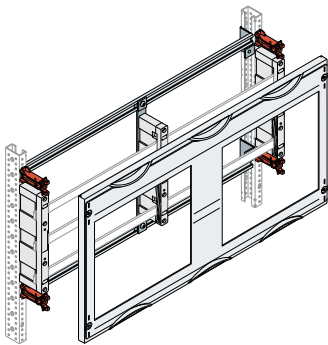
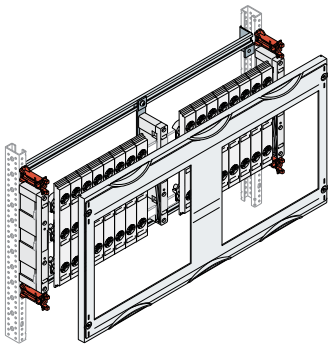
- 1 row: 1 of ZW39P2
- 2 rows: 1 of ZW39P2, 1 of ZW59P2
- 3 rows: 2 of ZW39P2, 1 of ZW59P2
- 4 rows: 2 of ZW39P2, 2 of ZW59P2
- 5 rows: 2 of ZW39P2, 3 of ZW59P2

External dimensions				Delivered in kit		Delivered assembled		Package/ No. pcs	
H kit (mm)	RE	W (mm)	FB	D kit (mm)	Order code	ABB code	Order code		ABB code
150	1	300	1	200	MBK106	2CPX041677R9999	MK106	2CPX041227R9999	1/1
		600	2	200	MBK206	2CPX041679R9999	MK206	2CPX041228R9999	1/1
		850	3	200	MBK306	2CPX041681R9999	MK306	2CPX041229R9999	1/1
300	2	300	1	200	MBK107	2CPX041683R9999	MK107	2CPX041230R9999	1/1
		600	2	200	MBK207	2CPX041685R9999	MK207	2CPX041231R9999	1/1
		850	3	200	MBK307	2CPX041687R9999	MK307	2CPX041232R9999	1/1
450	3	300	1	200	MBK108	2CPX041689R9999	MK108	2CPX041233R9999	1/1
		600	2	200	MBK208	2CPX041691R9999	MK208	2CPX041234R9999	1/1
		850	3	200	MBK308	2CPX041693R9999	MK308	2CPX041235R9999	1/1
600	4	300	1	200	MBK109	2CPX041695R9999	MK109	2CPX041236R9999	1/1
		600	2	200	MBK209	2CPX041697R9999	MK209	2CPX041237R9999	1/1
		850	3	200	MBK309	2CPX041699R9999	MK309	2CPX041238R9999	1/1
750	5	300	1	200	MBK110	2CPX041701R9999	MK110	2CPX041239R9999	1/1
		600	2	200	MBK210	2CPX041703R9999	MK210	2CPX041240R9999	1/1
		850	3	200	MBK310	2CPX041705R9999	MK310	2CPX041241R9999	1/1

# System pro E power

## 185 mm Busbar System - Order codes

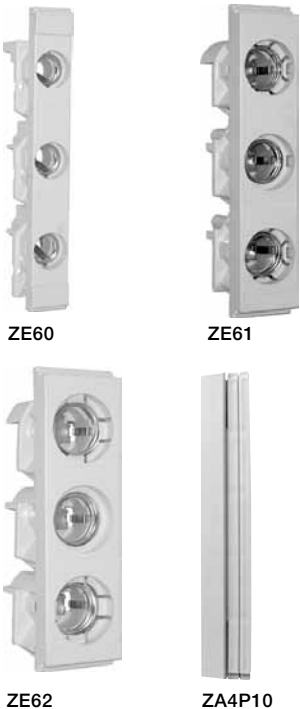
3



### Horizontal 60 mm busbar system, M(B)R...02(B)

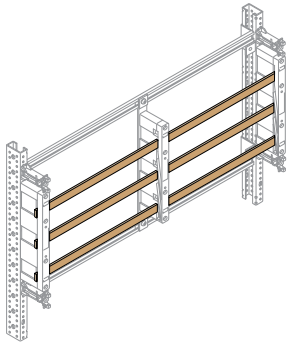
For 3-pole busbars  
 The distance from center of busbars is 60 mm and 32 mm between Cu busbars and cover.  
 With busbar holder support type ZX146 and with end cover ZX172.  
 Starting from width 3 with fastening in center.  
 Rated current (I<sub>n</sub>) max. 440 A.  
 With clip fuse-holder, see below.  
 Important: comply with the available module combinations if TwinLine panels in rows are installed.  
 The mounting frame must be ordered separately.  
 Not suitable for fire protection cabinets.

External dimensions				Delivered in kit		Delivered assembled		Package/ No. pcs	
H kit (mm)	W (mm)	D kit (mm)	Order code	ABB code	Order code	ABB code			
<b>Module mounted for systems with vertically-installed 3-pole clip fuse-holders, In up to max. 250 A</b>									
300	2	300	1	120	-	-	MR102B	2CPX041409R9999	1/1
		600	2	200	-	-	MR202B	2CPX041410R9999	1/1
		850	3	225	-	-	MR302B	2CPX041411R9999	1/1
<b>Module not mounted for installation, for vertical assembly of clip fuse-holders, fuse switch-disconnector D0, or fuse switch-disconnector NH00 In up to max. 440 A</b>									
300	2	300	1	120	-	-	MR102	2CPX041406R9999	1/1
		600	2	200	-	-	MR202	2CPX041407R9999	1/1
		850	3	225	-	-	MR302	2CPX041408R9999	1/1



### Clip fuse-holders

Description	Order code	ABB code	Package/ No. pcs
<b>Neozed E18 clip fuse-holders, width 26 mm</b>			
For calibrated ring inserts, 3 poles, with covers and descriptive name-plates, with E18 threads, max. 63 A fuses	ZE60	2CPX061045R9999	1/1
	ZE60P10	2CPX062400R9999	1/10
<b>Diazed E27 clip fuse-holders, width 42 mm</b>			
For calibrated ring inserts, 3 poles, with covers and descriptive name-plates, with E27 threads, max. 25 A fuses	ZE61	2CPX061046R9999	1/1
<b>Diazed E33 clip fuse-holders, width 56 mm</b>			
For calibrated ring inserts, 3 poles, with covers and descriptive name-plates, with E33 threads, max. 63 A fuses	ZE62	2CPX061047R9999	1/1
<b>Partitions instead of clip fuse-holders</b>			
Colour similar to RAL 7035 to comply with discharge protection Useful width from 16 mm to 34 mm	ZA4P10	2CPX062374R9999	1/10



## Horizontal 60 mm busbar system, M(B)R...02(B)

Busbars for installation in single cabinet.

Combinations of modules of different sizes can be created inside the cabinet with busbars passing through. Three Cu busbars are required for each module.

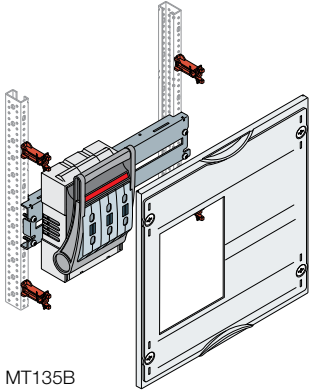
Dimensions				Delivered in kit		Delivered assembled		Package/ No. pcs
Cu busbar (mm)	W (mm)	FB	In (A)	Order code	ABB code	Order code	ABB code	
12x5	246	1	(100)*	ZX1001	2CPX041870R9999	ZXM1001	2CPX041480R9999	1/1
	496	2	250	ZX1002	2CPX041871R9999	ZXM1002	2CPX041481R9999	1/1
	746	3		ZX1003	2CPX041872R9999	ZXM1003	2CPX041482R9999	1/1
	996	4		ZX1004	2CPX041873R9999	ZXM1004	2CPX041483R9999	1/1
	1246	5		ZX1005	2CPX041874R9999	ZXM1005	2CPX041484R9999	1/1
	1496	6		ZX1006	2CPX042800R9999	ZXM1006	2CPX042822R9999	1/1
20 x 5	246	1	(250)*	ZX1013	2CPX041882R9999	ZXM1013	2CPX041492R9999	1/1
	496	2	320	ZX1014	2CPX041883R9999	ZXM1014	2CPX041493R9999	1/1
	746	3		ZX1015	2CPX041884R9999	ZXM1015	2CPX041494R9999	1/1
	996	4		ZX1016	2CPX041885R9999	ZXM1016	2CPX041495R9999	1/1
	1246	5		ZX1017	2CPX041886R9999	ZXM1017	2CPX041496R9999	1/1
	1496	6		ZX1018	2CPX042801R9999	ZXM1018	2CPX042823R9999	1/1
30 x 5	246	1	440	ZX1019	2CPX041888R9999	ZXM1019	2CPX041498R9999	1/1
	496	2		ZX1020	2CPX041889R9999	ZXM1020	2CPX041499R9999	1/1
	746	3		ZX1021	2CPX041890R9999	ZXM1021	2CPX041500R9999	1/1
	996	4		ZX1022	2CPX041891R9999	ZXM1022	2CPX041501R9999	1/1
	1246	5		ZX1023	2CPX041892R9999	ZXM1023	2CPX041502R9999	1/1
	1496	6		ZX1024	2CPX042802R9999	ZXM1024	2CPX042824R9999	1/1

\* In the case of expansion using clip fuse-holders

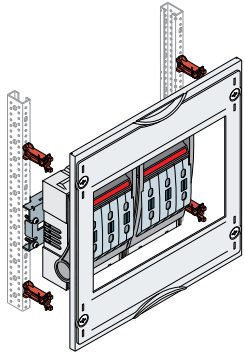
# System pro E power

## 185 mm Busbar System - Order codes

3



MT135B

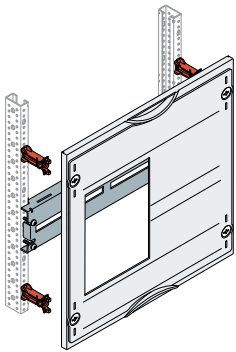


MT136B

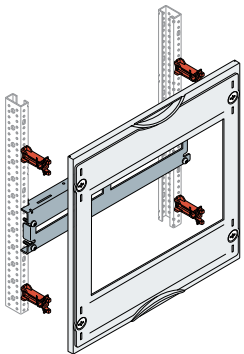
### NH00 fuse switch-disconnector module

Assembled with NH00 160 A type ZH411 fuse switch-disconnector, with partitions.  
 With 320 A, 3 pole busbar system, M8 connection screws.  
 Rated current (In) max. 320 A.

Dimensions				With Disconnector	Delivered in kit		Delivered assembled		Package/ No. pcs	
Kit H (mm)	RE	W (mm)	D (mm)	NH00	Order code	ABB code	Order code	ABB code		
300	2	250	1	200	1	-	-	MT135B	2CPX042451R9999	1/1
		250	1	200	2	-	-	MT136B	2CPX041293R9999	1/1



MBT135



MBT136

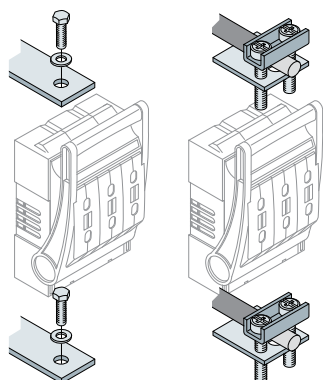
Not mounted for fuse switch-disconnector-module NH00 160 A Products: ABB (ZH411, ZH412), without partitions.  
 For 320 A 3-pole busbar system.  
 Rated current (In) max. 320 A.

Dimensions				With Disconnector	Delivered in kit		Delivered assembled		Package/ No. pcs	
Kit H (mm)	RE	W (mm)	D (mm)	NH00	Order code	ABB code	Order code	ABB code		
300	2	250	1	200	1	MBT135	2CPX042452R9999	MT135	2CPX042450R9999	1/1
		250	1	200	2	MBT136	2CPX041770R9999	MT136	2CPX041299R9999	1/1

## Accessories for fuse switch-disconnector-module NH00

### Fuse switch-disconnector NH00

Rated current (In) max. 160 A, without partitions.



ZH411

ZH412

Description	Suitable for module	Order code	ABB code	Package/No. pcs
With M8 connection screws	M(B)T135 - M(B)T136	ZH411	2CPX062947R9999	1/1
With bracket clamps up to 50 mm <sup>2</sup>	M(B)T135 - M(B)T136	ZH412	2CPX062948R9999	1/1

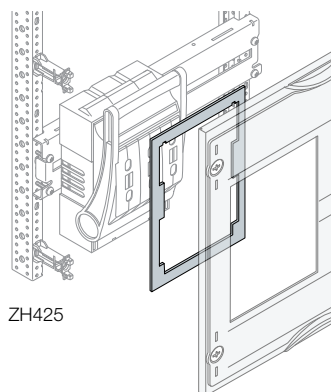
ZH214



### NH00 busbar system

Cu busbars 20 x 5 mm, 3 poles. Rated current (In) 320 A. A on one single level with M8 connection screws M8.

Description	Suitable for module	Order code	ABB code	Package/No. pcs
NH00 busbar system	M(B)T136	ZH214	2CPX060443R9999	1/1



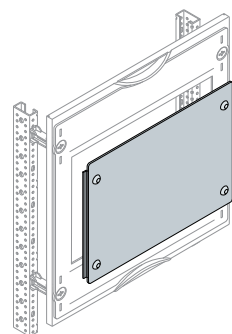
ZH425

### Partitions

For NH fuse switch-disconnector. Colour similar to RAL 7035 to comply with discharge protection.

Description	Suitable for module	Order code	ABB code	Package/No. pcs
Single trim cover	1 x M(B)T135 *	ZH425	2CPX062952R9999	1/1
Double trim cover	1 x M(B)T136 *	ZH426	2CPX062953R9999	1/1

\* Number of pieces per module for complete assembly



### Partitions, closed

Instead of NH fuse switch-disconnector. Colour similar to RAL 7035 to comply with discharge protection.

Description	Suitable for module	Order code	ABB code	Package/No. pcs
Partitions, closed	M(B)T135 - M(B)T136	ZH428	2CPX062955R9999	1/1



### Insulating plate

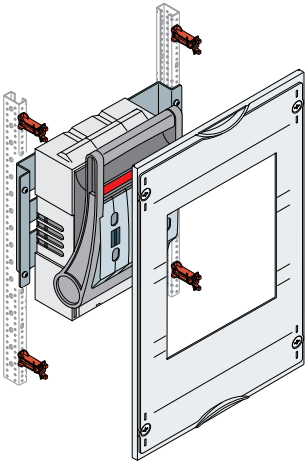
For unoccupied busbar ends. For NH00 fuse switch-disconnector.

Description	Suitable for module	Order code	ABB code	Package/No. pcs
Insulating plate	M(B)T135 - M(B)T136	ZX148	2CPX044018R9999	1/1

# System pro E power

## 185 mm Busbar System - Order codes

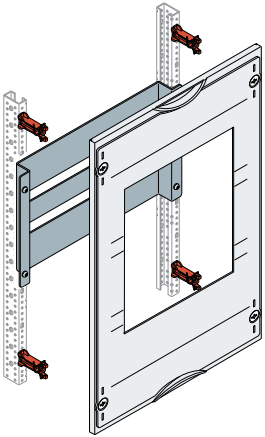
3



### NH1 fuse switch-disconnector module

Assembled with NH01 250 A type ZH411 fuse switch-disconnector, with partitions.  
M10 connection screws included.

Dimensions			With Disconnector	Delivered in kit		Delivered assembled		Package/ No. pcs		
Kit H (mm)	RE (mm)	W (mm)	FB (mm)	D (mm)	NH1	Order code	ABB code		Order code	ABB code
450	3	250	1	200	1	-	-	MT142B	2CPX041305R9999	1/1



Not mounted for fuse switch-disconnector NH00 250 A Products: ABB (ZH431), without partitions.

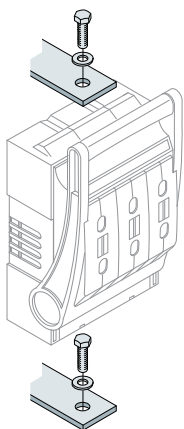
Dimensions			For Disconnector	Delivered in kit		Delivered assembled		Package/ No. pcs		
Kit H (mm)	RE (mm)	W (mm)	FB (mm)	D (mm)	NH1	Order code	ABB code		Order code	ABB code
450	3	250	1	200	1	MBT142	2CPX041776R9999	MT142	2CPX041311R9999	1/1



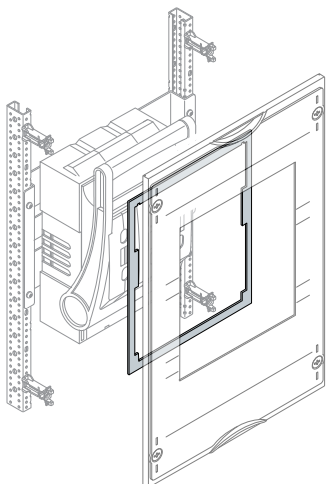
## Accessories for fuse switch-disconnector-module NH1

### Fuse switch-disconnector NH1

Rated current (In) max. 250 A, without partitions, with M10 connection screws.



Description	Suitable for module	Order code	ABB code	Package/No. pcs
Fuse switch-disconnector NH1	M(B)T142	ZH431	2CPX062958R9999	1/1

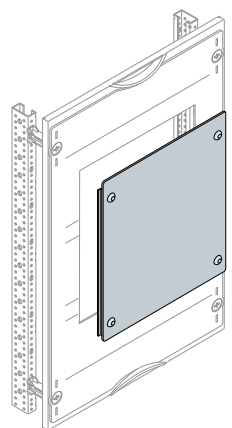


### Partitions

Single trim cover for fuse switch-disconnector NH. Colour similar to RAL 7035 to comply with discharge protection.

Description	Suitable for module	Order code	ABB code	Package/No. pcs
Partitions	1 x M(B)T142 *	ZH438	2CPX062961R9999	1/1

\* Number of pieces per module for complete assembly



### Partition, closed

Single trim cover instead of NH fuse switch-disconnector, colour similar to RAL 7035, to comply with discharge protection.

Description	Suitable for module	Order code	ABB code	Package/No. pcs
Partition, closed	M(B)T142	ZH440	2CPX062963R9999	1/1



### Insulating plate

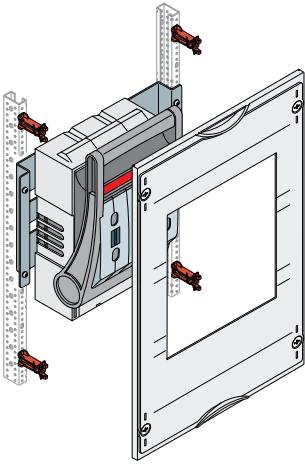
For unoccupied busbar ends for fuse switch-disconnector NH1.

Description	Suitable for module	Order code	ABB code	Package/No. pcs
Insulating plate	M(B)T142	ZX128	2CPX039128R9999	1/1

# System pro E power

## 185 mm Busbar System - Order codes

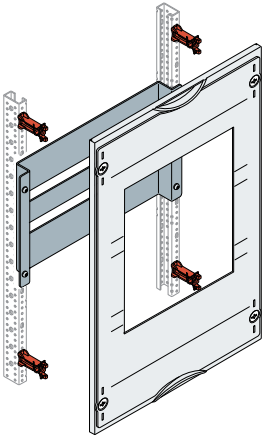
3



### NH2 fuse switch-disconnector module

Assembled with NH02 400 A type ZH411 fuse switch-disconnector, with partitions  
 With M10 connection screws.  
 The mounting frame must be ordered separately.

Dimensions			With Disconnecter	Delivered in kit		Delivered assembled		Package/ No. pcs		
Kit H (mm)	RE	W (mm)	FB (mm)	D (mm)	NH2	Order code	ABB code		Order code	ABB code
450	3	250	1	215	1	-	-	MT144B	2CPX041317R9999	1/1



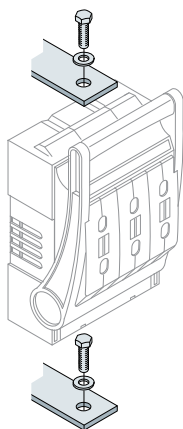
Not mounted for fuse switch-disconnector NH2 400 A Products: ABB (ZH441), without partitions.  
 The mounting frame must be ordered separately.

Dimensions			With Disconnecter	Delivered in kit		Delivered assembled		Package/ No. pcs		
Kit H (mm)	RE	W (mm)	FB (mm)	D (mm)	NH2	Order code	ABB code		Order code	ABB code
450	3	250	1	215	1	MBT144	2CPX041782R9999	MT144	2CPX041323R9999	1/1

## Accessories for fuse switch-disconnector-module NH2

### Fuse switch-disconnector NH2

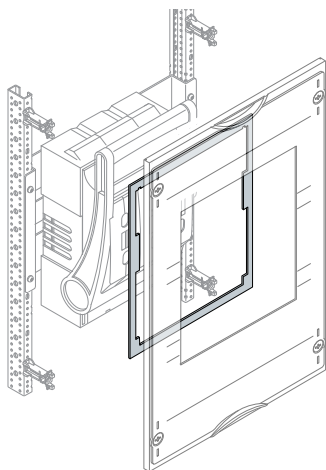
Rated current (In) max. 400 A, without partitions, With M12 connection screws.



Description	Suitable for module	Order code	ABB code	Package/No. pcs
Fuse switch-disconnector NH2	M(B)T144	ZH441	2CPX062964R9999	1/1

### Partitions

For NH fuse switch-disconnector, colour similar to RAL 7035 to comply with discharge protection.

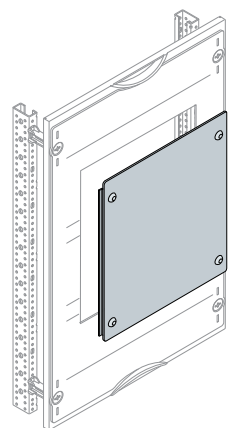


Description	Suitable for module	Order code	ABB code	Package/No. pcs
Partitions	1 x M(B)T144 *	ZH447	2CPX039842R9999	1/1

\* Number of pieces per module for complete assembly

### Partition, closed

Single trim cover instead of NH fuse switch-disconnector, colour similar to RAL 7035, to comply with discharge protection.



Description	Suitable for module	Order code	ABB code	Package/No. pcs
Partition, closed	M(B)T144	ZH442	2CPX062939R9999	1/1

### Insulating plate

For unoccupied busbar ends for fuse switch-disconnector NH2.

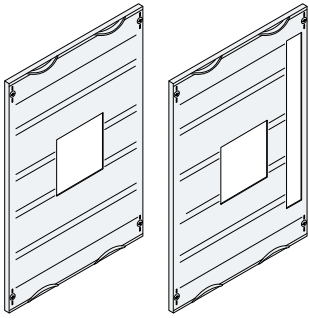


Description	Suitable for module	Order code	ABB code	Package/No. pcs
Insulating plate	M(B)T144	ZX129	2CPX039129R9999	1/1

# System pro E power

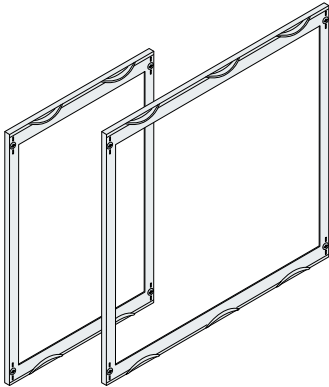
## 185 mm Busbar System - Order codes

3



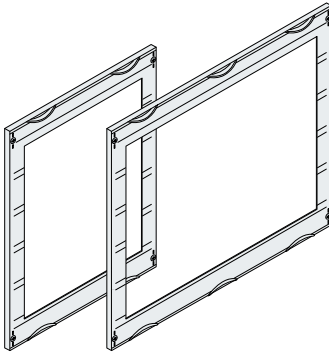
AG2502

AG2504



AG2520

AG3520



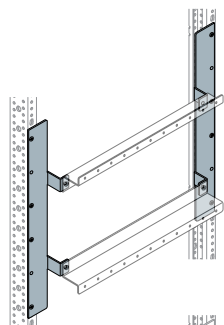
AG2530

AG3530

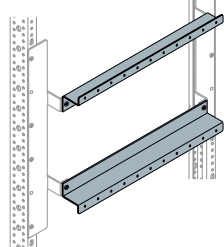
### Covers with cut-out with press-in plug-screw 90°

Description	External dimensions				Used for ...	Delivered in kit		Package/ No. pcs
	Kit H (mm)	RE	W (mm)	FB		Order code	ABB code	
For Tmax T7, Emax E1.2 circuit-breakers	750	5	600	2	M(B)A211751 M(B)A231751	AG2502	2CPX043182R9999	1/1
For Emax E2.2 circuit-breaker	750	5	600	2		PPAG2503	1STQ005190B0000	1/1
For Tmax T7, Emax E1.2 circuit-breakers, E fuse switch-disconnector module InLine II Width 50 mm	750	5	600	2	M(B)A211759	AG2504	2CPX043183R9999	1/1
For InLine II fuse switch-disconnector modules. Make: ABB InLine II, EFEN E <sup>3</sup> , Jean Müller SL, Wöhner Quadron	750	5	600	2	M(B)J24458	AG2520	2CPX043184R9999	1/1
For InLine II fuse switch-disconnector modules. Make: ABB InLine II, EFEN E <sup>3</sup> , Jean Müller SL, Wöhner Quadron	750	5	850	3	M(B)J34708	AG3520	2CPX043185R9999	1/1
For NH XR fuse switch-disconnector modules. Make: ABB SlimLine XR, Jean Müller SASIL Plus S	750	5	600	2	M(B)J25406 M(B)J25407 M(B)J25408	AG2530	2CPX043186R9999	1/1
For InLine II fuse switch-disconnector modules. Make: ABB InLine II, EFEN E <sup>3</sup> , Jean Müller SL, Wöhner Quadron	750	5	850	3	M(B)M(B)J35656 M(B)J35657 M(B)J35658	AG3530	2CPX043187R9999	1/1

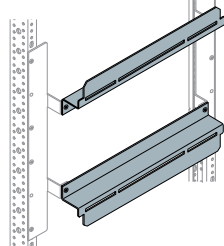
## Mounting cross members and brackets



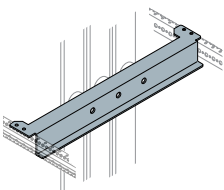
ZX921P10



ZX932P10



ZX933P10



ZX936

Description	Used for ...	Delivered in kit		Package/ No. pcs
		Order code	ABB code	
ZX522 mounting cross members for busbar holder support Two pieces are required per module	M(B)A... / M(B)J...	ZX921P10	2CPX043168R9999	1/10
ZX522 mounting cross members for busbar holder E2.2 section		PPZX9222	1STQ005191B0000	1/10

### Mounting cross members for circuit-breakers Two pieces are required per module

For circuit-breaker module width 2 For Tmax T7, Emax E1.2 circuit-breakers	M(B)A211751 M(B)A211759 M(B)A231751	ZX932P10	2CPX043169R9999	1/10
For multiple circuit-breaker module width 2 For Tmax T4, T5, T6 circuit-breakers With cage nuts	M(B)A221850	ZX933P10	2CPX043170R9999	1/10
For multiple circuit-breaker module width 3 For Tmax T4, T5, T6 circuit-breakers With cage nuts	M(B)A321850	ZX935P10	2CPX043171R9999	1/10
Mounting shelf for E2.2		PPZX9336	1STQ005192B0000	1/5
Mounting cross members for busbar system		PPZX9336	1STQ005192B0000	1/2
Graduated for connection system width 2	ZX(M)AH2122	ZX936	2CPX043172R9999	1/1

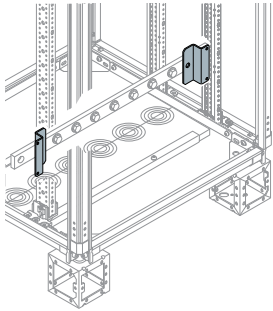
### Mounting cross members for NH fuse switch-disconnector

for NH fuses. Make: ABB SlimLine XR, Jean Müller SASIL Plus S width 2	M(B)J25406	ZX941	2CPX043173R9999	1/1
for NH fuses. Make: ABB SlimLine XR, Jean Müller SASIL Plus S width 3	M(B)J35406	ZX942	2CPX043174R9999	1/1

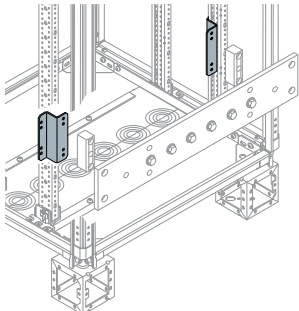
# System pro E power

## 185 mm Busbar System - Order codes

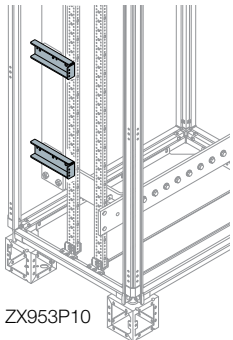
3



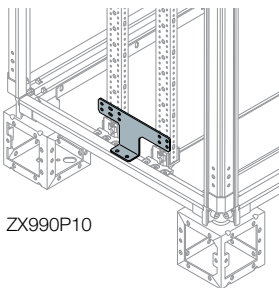
ZX951P10



ZX952P10



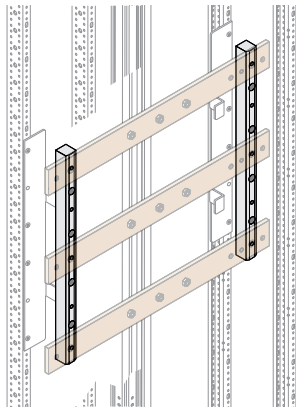
ZX953P10



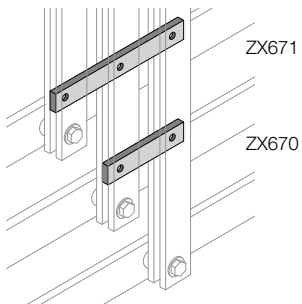
ZX990P10

### Mounting cross members and brackets

Description	Used for ...	Delivered in kit		Package/ No. pcs
		Order code	ABB code	
<b>Mounting bracket for horizontal N/PE busbar system</b>				
Horizontal N mounting bracket. For ZX563 busbar holder support. For Cu busbars up to 100 x 10 mm	M(B)NH....	ZX951P10	2CPX043175R9999	1/10
Horizontal PE mounting bracket For Cu busbars up to 40 x 10 mm	M(B)PH....	ZX952P10	2CPX043176R9999	1/10
N mounting bracket for E2.2 section		PPZX9553	1STQ005193B0000	1/2
PE mounting bracket for E2.2 section		PPZX9554	1STQ005194B0000	1/2
<b>Mounting bracket for vertical N/PE busbar system. For ZX563 busbar support</b>				
For Cu busbars up to 100 x 10 mm	ZX(M)NVH4	ZX980P10	2CPX043177R9999	1/10
For PE Cu busbars up to 40 x 10 mm	ZX(M)PVH4			
<b>Surge arrester mounting unit</b>				
Mounting bracket for omega busbar			2CPX043179R9999	1/10
<b>Protection conductor connection</b>				
For routing the connection of the protection conductor of the PE busbar to mounting frame WR and the System pro E power mounting frame. Material: sheet steel including fastening elements			1STQ005409B0000	1/1
<b>Screws for Linsen sheet hexalobular socket type</b>				
4.8 x 11.5 mm		ZB27P20	2CPX062588R9999	1/20
		ZB27P500	2CPX062689R9999	1/500
4.8 x 22 mm		ZB75P20	2CPX043256R9999	1/20
		ZB75P500	2CPX043257R9999	1/500

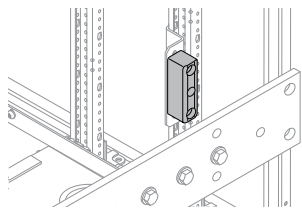


ZX522

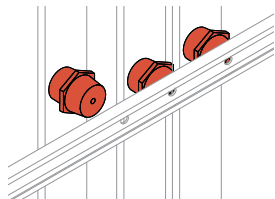


ZX671

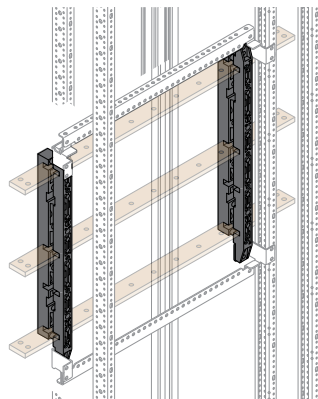
ZX670



ZX563



ZX52



ZX550

## Busbar supports and accessories

Description	Used for ...	Delivered in kit		Package/ No. pcs	
		Order code	ABB code		
<b>3-pole busbar support</b>					
Busbar centre distance 100 mm / 185 mm For 30 x 10 mm to 80 x 10 mm Cu busbars	M(B)NH...	ZX522	2CPX067909R9999	1/1	
	M(B)PH...	ZX522P10	2CPX062553R9999	1/10	
<b>N/PR busbar support</b>					
For 30 x 10 mm to 60 x 10 mm Cu busbars	M(B)NH...	ZX563	2CPX068735R9999	1/1	
		ZX563P10	2CPX068736R9999	1/10	
<b>Intermediate busbar piece GFK. Material 50 mm x 10 mm</b>					
Length 120 mm	ZX(M)VH23	ZX670	2CPX046976R9999	1/1	
Length 190 mm	ZX(M)VH23	ZX671	2CPX046977R9999	1/1	
	ZX(M)AH2122				
<b>Support insulators with spanner flats</b>					
40 x 40 mm, threads on both sides: M10 Width across flats: 40 mm	ZX(M)AH2122	ZX52	2CPX039052R9999	1/1	
		ZX52P20	2CPX062560R9999	1/20	
<b>VSS busbar support. Distance from centre of busbars 185 mm. For Cu busbars</b>					
1 x 50 x 10 mm	VSS 1000 A	M(B)J..5..6	ZX550	2CPX043188R9999	1/20
1 x 60 x 10 mm	VSS 1250 A	M(B)J..5..7	ZX551	2CPX068515R9999	1/500
1 x 80 x 10 mm	VSS 1600 A	M(B)J..5..8	ZX555	2CPX068676R9999	1/20
1 x 100 x 10 mm	VSS 2000 A		ZX559	2CPX068737R9999	1/500





# System pro *E* power

## Technical details and certifications

Mechanical and electrical characteristics	4/2
Declaration of conformity	4/4
Power dissipated	4/5
Handling	4/6
Electrical continuity	4/8
Calculation of protection conductor PE	4/8
Effective current	4/9
Number busbar holders ZX522 (InLine)	4/9
Number of SlimLine busbar holders	4/9
Equipotential conductors	4/10
Mechanical shock resistance IK	4/11
Protection classes	4/12

# System pro E power

## Technical details and certifications

### Mechanical and electrical characteristics

#### Conformity to Standard IEC 61439-1-2

System pro E power switchboards are subjected in the ABB laboratories, to the type tests established by Standard IEC 61439-1-2. The results of these tests guarantee the performance of System pro E power switchboards and when ABB SACE structures, air circuit-breakers, moulded-case and modular circuit-breakers are used, relieve the end manufacturer of the switchboard from having to perform further type tests so long as he/it complies with the selection criteria and assembly instructions for the various different components. Reference can be made to these results, described below, when drawing up the declaration of conformity of the switchboard.

#### Overtemperature (Ref. sect. 9.2. of the Standard)

Values from the type tests performed referring to all System pro E - Power switchboard sizes and to the type of installation are given in the tables. The dissipated power data (in Watts) depend on the allowable overtemperature inside the upper part of the switchboard and should be compared with the sum of the powers dissipated by all the components installed in the switchboard (also taking the coincidence factor into due account).

#### Dielectric properties (Ref. sect. 10.9. of the Standard)

Rated service voltage	up to 1000V AC / 1500V DC
Rated insulation voltage	up to 1000V AC / 1500V DC
Rated impulse withstand voltage	8kV / 12kV

#### Short-circuit withstand capacity (Ref. sect. 10.11. of the Standard)

Rated short-time short-circuit current:	line-to-line	120kA (1s) 50kA (3s)
	line-to-neutral	72kA (1s)
Rated max. peak short-circuit current		264kA

#### Protection against the circuit and short-circuit withstand (Ref. sect. 9.3. of the Standard)

Rated admissible short-time withstand current Icw for the protection circuit	72kA (1s)
--	-----------

#### Insulation clearances (Ref. sect. 10.4. of the Standard)

Insulation clearances are guaranteed when the assembly instructions provided with the ABB SACE structures and circuit-breakers are complied with.

#### Mechanical operation (Ref. sect. 10.13. of the Standard)

When the assembly instructions of the ABB SACE structures are circuit-breakers are complied with, mechanical operation can be considered as verified.

#### Protection class (Ref. sect. 10.3 of the Standard)

Protection class obtained with respect to the type of panelling	Front sealing profiles	Door	Rear	Side panels	Top	Bottom	Top profile
<b>Blind</b>							
IP30	● *	-	● *	● *	● *	● *	-
IP31	● *	-	● *	● *	● *	● *	● *
IP40	-	● *	● *	● *	● *	● *	-
IP41	-	● *	● *	● *	● *	● *	● *
IP55	-	●	●	●	●	●	-
<b>Vented</b>							
IP30	● *	-	● **	● **	● *	● *	-
IP31	● *	-	● **	● **	● *	● *	● *
IP40	-	● *	● ***	● ***	● *	● *	-
IP41	-	● *	● ***	● ***	● *	● *	● *

\* Codes in the catalogue allowing IP30-IP31 protection class to be obtained for structures without doors, IP40-IP41 for structures with doors. The structures change from IP30 to IP31 if the top sealing kits are used in addition to the front sealing profiles. The structures change from IP40 to IP41 if the top sealing kits are used in addition to the doors.

\*\* Codes in the catalogue for vented panels allowing IP30-31 protection class to be obtained for structures without doors. The structures change from IP30 to IP31 if the top sealing kits are used in addition to the front sealing profiles.

\*\*\* Codes in the catalogue for vented panels allowing IP30-31 protection class to be obtained for structures without doors. The structures change from IP30 to IP40 adding the door and the grates for vented panel. The structures change from IP30 to IP31 if the top sealing kits are used in addition to the front sealing profiles. The structures change from IP40 to IP41 if the top sealing kits are used in addition to the doors.

## Mechanical specifications

<b>Material</b>	
Uprights and cross-pieces	12/10mm hot-dip galvanized sheet steel 12/10mm AISI 304 stainless steel
Plinth angle pieces	25/10mm hot-dip galvanized sheet steel
Plinth flanges	15/10mm hot-dip galvanized sheet steel
External panels	pickled steel sheet thickness 8/10mm for IP30/40 and 15/10 for IP55
Doors	15/10mm thick pickled sheet steel. 4mm thick toughened glass glued from the inside
Plates	15/10mm hot-dip galvanized sheet steel
Panels	12/10mm pickled steel sheet
Partitions	plastic components: thermoplastic vulcanizate metal components: 15/10mm pickled steel sheet
<b>Paint coating</b>	
Structure colour	RAL 7035 grey orange peel finish
Plinth colour	RAL 7012 grey orange peel finish
Standard cycle	The sheet metal is cleaned Phosphating, based on iron salts Drying in a tunnel at 100°C External and internal coating with electrostatic application of thermosetting powder coating with epoxy-polyester binders, RAL 7035 colour orange peel finish, total thickness 60/70 microns. Curing in an oven 180°C
Coating characteristics	Binder: epoxy-polyester Specific gravity: 1.61g/cm <sup>3</sup> Theoretic yield: 10.4m <sup>2</sup> /kg with film an average 60 microns thick Melting point: 85-95 °C (Kofler bench method) Particle size: standard distribution between 5 and 100 microns with 30 to 40 micron average particle size. Setting: 12 min x 190 °C (temperature of object). Hardness: 1H - 2H DIN 53152 bending elasticity: unaltered on 1/4" mandrel DIN 53151 cross-hatch adhesion: GT 0 (100%) Erichem elasticity: SEN DIN 53156: > 6mm Gardner impact resistance: 25 kg x cm.
Tests performed on degreased and phosphatized metal plates with 60/70 micron film thickness. The paint coating passed the saline mist resistance tests (193 hours).	
<b>Environmental characteristics</b>	
Type of installation	indoor
Installation conditions	on floor
Climatic conditions (t°/Rh%)	constant 23°C/83% - 40°C/93% variable 23°C/98% - 40°C/98%
Ambient temperature limits	for operation -5°C +40°C Normal usage conditions (Ref. sect. 7.1 of the Standard IEC 61439-1-2) for storage -25°C +55°C

# System pro E power

## Technical details and certifications

### ABB SACE Declaration of conformity

#### System pro E power switchboards with rated characteristics:

Rated service voltage Ue	up to 1000V AC / 1500V DC
Rated insulation voltage Ui	up to 1000V AC / 1500V DC
Rated current / Icw	up to 6300A / fino a 120kA
IP protection class	IP30, IP31, IP40, IP41, IP55

If the components have been chosen and assembled correctly, as described in the catalogue and instruction manual, the resulting switchboards will conform to Standard IEC 61439-1-2, in accordance with the provisions established by the Low Voltage Directive adopted by the European Union 2007/95/EC (formerly Directive 73/23/EEC, Law 791/1977).

4

The above is valid if the switchboard has been designed and built:

- having chosen the materials on the basis of the performance values indicated in the ABB catalogues;
- having sized the conductors in accordance with the provisions established by Standards EN 61439-1 and CEI 64-8;
- having performed the individual tests established by Standard IEC 61439-1-2 and obtained positive results.

#### Technical details

##### Information about disposal at the end of the lifecycle of the products








ABB SACE has conducted research into the end of the lifecycle of the product. The assessments were made by applying the LCA (Life Cycle Assessment) method as established by ISO 14040 - 1997 and in accordance with the requirements established by SEMC in the ISO TR 14025 TYPE III Environmental declarations (MSR 1999:2 – “Guidelines Environmental Product Declarations”) document.

The research was conducted considering the disposal and recycling processes of the main materials forming a typical switchboard.

Using the bill of materials as a starting point, the researchers considered the ease with which each part can be disassembled and separated as well as the ability to recycle the materials. They found that the product is almost entirely recyclable.

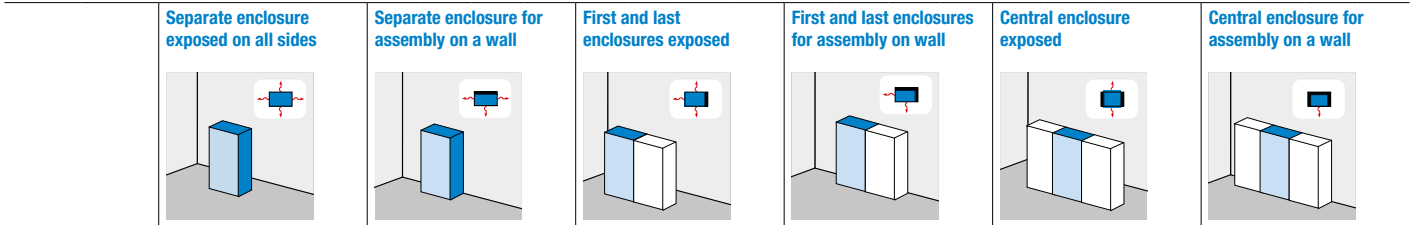
After this, they limited the bill of materials to the most significant components and assessed the lifecycle of each.

The result was the flow of recyclable materials and salvaged materials (or for incineration) indicated in the Table. In theory, none of the materials should end up in a landfill.

Substance	Destination	
Aluminium scrap	Recycling	
Copper scrap	Recycling	
Polyurethane gaskets	Incineration	
Fiberglass	Recycling	
Scrapped glass	Recycling	
Paper/cardboard	Recycling	
Plastic insulators	Recycling	
Sheet metal scrap	Recycling	

# Power dissipated

## System pro E power IP30 - IP40 - IP55 - IP55



W (mm)	D (mm)	Maximum power dissipated (W)				Maximum power dissipated (W)				Maximum power dissipated (W)				Maximum power dissipated (W)				Maximum power dissipated (W)				Maximum power dissipated (W)			
		25 °C	30 °C	35 °C	40 °C	25 °C	30 °C	35 °C	40 °C	25 °C	30 °C	35 °C	40 °C	25 °C	30 °C	35 °C	40 °C	25 °C	30 °C	35 °C	40 °C	25 °C	30 °C	35 °C	40 °C

### Structures H = 1800mm with blind panels

250	200	143	177	220	262	123	153	189	225	124	154	191	227	109	135	168	199	110	136	169	201	95	118	146	174
	300	170	211	261	311	154	191	237	282	150	186	231	274	132	164	203	242	126	156	194	231	113	140	174	207
	500	223	277	343	408	211	262	324	386	195	242	300	357	181	224	278	331	163	202	251	298	151	187	232	276
	700	280	347	431	512	275	341	423	503	254	315	391	465	244	303	375	446	214	265	329	392	204	253	314	373
500	200	211	262	324	386	183	227	281	335	196	243	301	359	167	207	257	306	183	227	281	335	156	193	240	285
	300	248	308	381	454	224	278	344	410	230	285	354	421	203	252	312	371	211	262	324	386	184	228	283	337
	500	304	377	467	556	291	361	447	532	286	355	440	523	271	336	417	496	266	330	409	487	245	304	377	448
	700	364	451	560	666	349	433	537	639	336	417	517	615	323	401	497	591	310	384	477	567	303	376	466	554
750	200	274	340	421	501	249	309	383	456	267	331	411	489	238	295	366	435	262	325	403	479	227	281	349	415
	300	308	382	474	564	286	355	440	523	296	367	455	542	276	342	424	505	287	356	441	525	263	326	404	481
	500	376	466	578	688	354	439	544	648	360	446	554	659	335	415	515	613	338	419	520	618	324	402	498	593
	700	435	539	669	796	415	515	638	759	411	510	632	752	397	492	610	726	390	484	600	714	374	464	575	684
1000	200	333	413	512	609	299	371	460	547	323	401	497	591	293	363	451	536	316	392	486	578	294	365	452	538
	300	370	459	569	677	339	420	521	620	362	449	557	662	328	407	504	600	351	435	540	642	325	403	500	595
	500	441	547	678	807	411	510	632	752	424	526	652	776	400	496	615	732	407	505	626	745	387	480	595	708
	700	510	632	784	933	478	593	735	875	485	601	746	887	455	564	700	833	456	565	701	834	443	549	681	811
1250	200	384	476	590	703	349	433	537	639	378	469	581	692	342	424	526	626	374	464	575	684	342	424	526	626
	300	429	532	660	785	392	486	603	717	419	520	644	767	386	479	594	706	410	508	630	750	382	474	587	699
	500	510	632	784	933	467	579	718	854	494	613	760	904	453	562	697	829	473	587	727	865	447	554	687	818
	700	589	730	906	1078	542	672	833	992	560	694	861	1025	520	645	800	951	530	657	815	970	503	624	773	920

### Structures H = 2100mm with blind panels

250	200	168	208	258	307	149	185	229	273	150	186	231	274	129	160	198	236	130	161	200	238	114	141	175	209
	300	199	247	306	364	183	227	281	335	177	219	272	324	158	196	243	289	152	188	234	278	133	165	205	243
	500	250	310	384	457	241	299	371	441	225	279	346	412	211	262	324	386	191	237	294	349	176	218	271	322
	700	286	355	440	523	278	345	427	509	259	321	398	474	256	317	394	468	228	283	351	417	218	270	335	399
500	200	241	299	371	441	213	264	328	390	226	280	347	414	196	243	301	359	211	262	324	386	182	226	280	333
	300	259	321	398	474	243	301	374	445	249	309	383	456	225	279	346	412	231	286	355	423	205	254	315	375
	500	326	404	501	596	307	381	472	562	302	374	464	553	288	357	443	527	283	351	435	518	269	334	414	492
	700	381	472	586	697	369	458	567	675	356	441	547	651	341	423	524	624	326	404	501	596	317	393	487	580
750	200	284	352	437	520	260	322	400	476	276	342	424	505	254	315	391	465	267	331	411	489	245	304	377	448
	300	331	410	509	606	302	374	464	553	316	392	486	578	291	361	447	532	303	376	466	554	286	355	440	523
	500	397	492	610	726	374	464	575	684	377	467	580	690	356	441	547	651	361	448	555	661	339	420	521	620
	700	469	582	721	858	442	548	680	809	438	543	673	801	415	515	638	759	409	507	629	748	399	495	614	730
1000	200	351	435	540	642	319	396	490	584	343	425	527	628	310	384	477	567	339	420	521	620	308	382	474	564
	300	391	485	601	715	360	446	554	659	378	469	581	692	350	434	538	640	370	459	569	677	342	424	526	626
	500	476	590	732	871	437	542	672	800	455	564	700	833	419	520	644	767	432	536	664	790	410	508	630	750
	700	558	692	858	1021	516	640	793	944	524	650	806	959	488	605	750	893	493	611	758	902	466	578	717	853
1250	200	400	496	615	732	359	445	552	657	390	484	600	714	355	440	546	650	384	476	590	703	354	439	544	648
	300	448	556	689	820	402	498	618	736	435	539	669	796	393	487	604	719	423	525	650	774	392	486	603	717
	500	541	671	832	990	492	610	756	900	518	642	796	948	472	585	726	864	495	614	761	906	460	570	707	842
	700	643	797	989	1177	577	715	887	1056	599	743	921	1096	546	677	840	999	559	693	860	1023	527	653	810	964

Power dissipated inside System pro E power switchboards on the basis of the admissible overtemperature.

Δt = difference between the temperature inside the enclosure and ambient temperature.

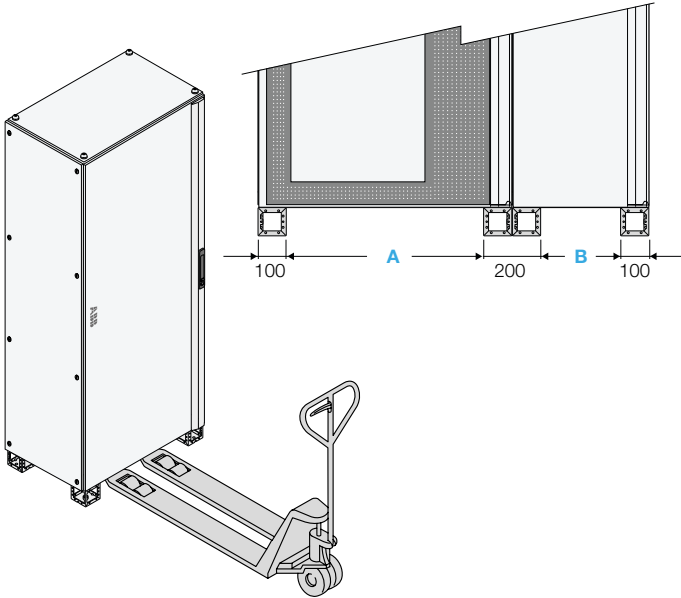
# System pro E power

## Technical details and certifications

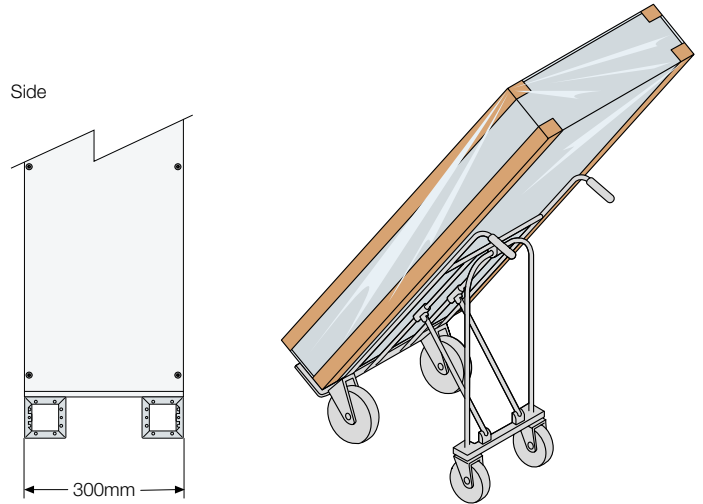
### Handling

#### Handling with a transpallet

4

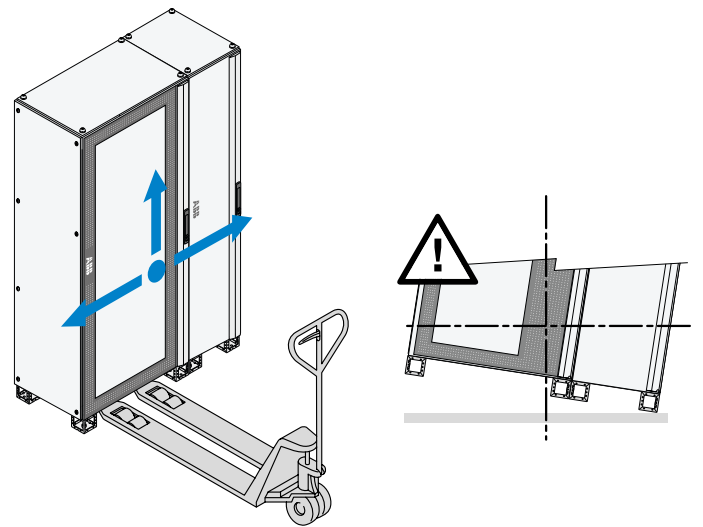


Shallow switchboards should be handled in the following way:

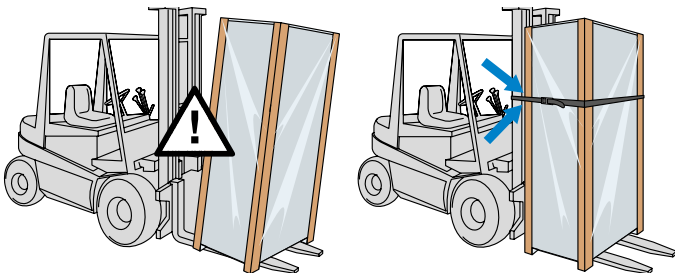


Check the center of gravity before handling structures measuring L=800/1000mm (with internal or external cable compartment) containing busbar systems.

Dimensions	A (mm)
Width 250mm	148
Width 500mm	398
Width 750mm	648
Width 1000mm	898
Width 1250mm	1098



For extra safety, it is advisable to fasten the switchboard to the lift truck when using this type of vehicle for transport.

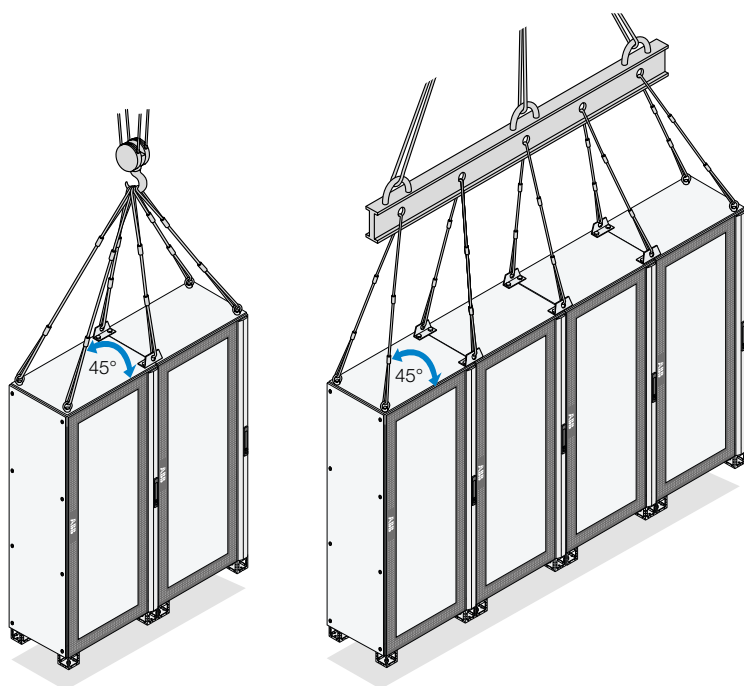


### Handling with a bridge crane

Before handling switchboards with a crane or bridge crane, make sure that:

- the ropes or chains are in an excellent condition;
- the angle between the lifting ropes and the top of the switchboard must be  $\geq 45^\circ$ ;
- up to 4 units can be carried at the same time;
- maximum weight lifted as established by Standard DIN 580 (M12).

To comply with the conditions described above, use a lifting beam with the appropriate characteristics when lifting several adjacent units.



### Standard DIN 580 concerning mechanical connection components (only for eyebolts)

Eyebolts		Lifting reinforcements								
A	B (mm)	C (mm)	D (mm)	E (mm)	F (mm)	G (mm)	Load 1 (kg)	Load 2 (kg)	Tightening (Nm)	
<b>Eyebolts</b>										
M12	54	12	28	10	22	30	340	240	8*	
<b>Lifting reinforcements</b>										
M12	Ø40	37	80	25	Ø14	60	510	350	40	

\* Tighten by hand without mechanical aids because this can cause damages by reducing the scope of the eyebolt.

# System pro E power

## Electrical continuity of the structure and fixed and movable parts

The accessible metal parts in a switchboard must be electrically connected together and with the main protection conductor.  $\Omega 0.1$  is the maximum resistance value allowed for this circuit.

Electrical continuity in System pro E power switchboards is automatically guaranteed by the screws and bolts and by the way the structure assembly is engineered. In addition, the connections can be made using the earthing pins on the external covers.

4

The panels are earthed by means of the fastening screw, as required by standard IEC 61439-1 (part 8.4.3.2.2) "Specifications for earthing continuity to protect against the consequences of faults within switchgear": "b) For covers, doors, closing plates and similar, the ordinary connections with metal screws and metal hinges are considered sufficient for electrical continuity so long as electrical devices that exceed the low voltage limits (ELV) are not installed on them". To achieve this:

- only and exclusively use the screws and accessories supplied with the components
- comply with the assembly instructions given in the manuals

The proposed solutions have been tested and no additional earthing braid is required.

The paint reduces the electrical continuity of the assembled parts. To assure electrical continuity, use screws with toothed washers that cut into the paint or, alternatively, earthing braid. To assure electrical continuity, the mechanical assemblies (front

plates, bottom plates, etc.) are also made with devices that cut into the painted surface:

- clips
- 1/4-turn screws
- self-threading screws
- screws + nuts with sharp-toothed washers

It is obligatory to use a braid for the earth connection in the case of movable metal parts (doors, swing frames or removable panels) that must support electrical components differing from class 2 (which, being fitted with double insulation, are not earthed). Electrical continuity in the case of front panels, is guaranteed in the closed position by the special shape of the hinge (ABB patent), always supplied even in the absence of connection via conductor.

Earthing braid is supplied on request for the electrical components installed on the door, as well as for the passage of cables from communicating or low power circuits: analog, digital and telecommunication cables.

Since the internal parts and the circuit-breaker assembly kits are made of unpainted galvanized steel, continuity is guaranteed without any additional earthing braid.

The earth conductor must be properly sized in relation to the maximum operating current, as shown in the following table defined by Standard IEC 61439-1.

## Calculation of protection conductor PE

Standard IEC 61439-1-2 contain the methods for calculating the section of the protection conductor PE, which must be sized to withstand the thermal and dynamic components of the fault currents.

The following conditions must be ascertained when choosing the position in which the bar is to be fixed:

- the bar must be connected straight to the earthed parts of the switchboard (structure);
- the bar must be connected in an easily accessible position.

Use the values in the table for sizing taken from Standards IEC 61439-1-2.

S (mm <sup>2</sup> )				Sp (mm <sup>2</sup> )	
		S	≤	16	S
16	<	S	≤	35	16
35	<	S	≤	400	S/2
400	<	S	≤	800	200
		S	>	800	S/4



## Effective current 35° - IP55

	(A)	W=1000mm D=500mm	W=750mm D=500mm	W=500mm D=500mm	W=1000mm D=300mm	W=750mm D=300mm	W=500mm D=300mm
Busbars 1600A	1600A	1700	1700	1700			
E1,2 3p 1600A coupler	1600A			1170			
E1,2 3p 1600A	1600A			1200			
Busbars 1000A	1000A	1200	1200	1200	1200	1200	1200
Tmax T7/ E1.2 1000A	1000A			950	-	-	950
Busbars 2000A	2000A	2070	2070	2070			
E2.2 3p 2000A	2000A	-	-	2000	-	-	-
Fuse InLine 630	630A	540	540	540	430	430	430
Fuse InLine 400	400A	340	340	340	300	300	300
Fuse InLine 250	250A	250	250	200	190	190	190
Fuse InLine 160	160A	160	160	160	110	110	110
(Tmax T5L 400A) kit mult.	630A			350			
(Tmax T5L 630A) kit mult.	400A			440			
SLIMLINE 630A	630A	580	580	580			
SLIMLINE 400A	400A	400	400	400			
SLIMLINE 250A	250A	250	250	200			
SLIMLINE 160A	160A	250	160	125			
Fuse Jean-Muller	630A	510	510	473			
Fuse Jean-Muller	400A	300	300	279			
Fuse Jean-Muller	250A	190	190	176			
Fuse Jean-Muller	160A	130	130	120			
Fuse Wohnner	630A	480	480	446			
Fuse Wohnner	400A	300	300	280			
Fuse Wohnner	250A	190	190	175			
Fuse Wohnner	160A	145	145	135			
Fuse Efen	630A	500	500	465			
Fuse Efen	400A	300	300	280			
Fuse Efen	250A	190	190	175			
Fuse Efen	160A	135	135	125			
Busbars 1250	1250A	1250	1250	1250			
E1.2 1250	1250A	-	-	1000			

4

## Number of busbar holders ZX522 (InLine)

	(A)	Width			
		500	750	1000	1350
I <sub>cw</sub> = 50 kA	1000	2	2	4	4
	1250	2	2	4	4
	1600	2	2	4	4
	2000	2	2	4	4
I <sub>cw</sub> = 75 kA	1000	-	-	-	-
	1250	-	-	-	-
	1600	-	-	-	-
	2000	4	8	10	13

## Number of SlimLine busbar holders

	(A)	Width			
		500	750	1000	1350
I <sub>cw</sub> = 50 kA	1000	2	2	4	4
	1250	2	2	4	4
	1600	2	2	4	4
	2000	2	2	4	4
I <sub>cw</sub> = 75 kA	1000	-	-	-	-
	1250	-	-	-	-
	1600	-	-	-	-
	2000	4	6	6	8

(also for W=500+500) (also for W= 500+750)

# System pro E power

## Technical details and certifications

### Equipotentiality

Conductive parts of a device, which cannot be connected to the protection circuit with their own means of connection, must be connected to the protection circuit of the apparatus through the equipotentiality of the protection. This is done by means of a protective bonding conductor, the section of which must be chosen in accordance with the table below.

Rated service voltage $I_e$ (A)				Minimum section of the protective bonding conductor (mm <sup>2</sup> )	
		$I_e$	≤	20	S
20	<	$I_e$	≤	25	2,5
25	<	$I_e$	≤	32	4
32	<	$I_e$	≤	63	6
63	<	$I_e$			10

S = section of the line conductor (mm<sup>2</sup>)

### Conductor PEN

The section of the PEN conductors of an apparatus must be determined in the same way as the neutral conductor (N).  
10mm<sup>2</sup> is the minimum section of a copper conductor.

The PEN conductor does not need to be insulated.

Structure parts must not be used as a PEN conductors. However, the copper or aluminium assembly tracks can be used as PEN conductors.

For conductors that are not made of copper, equivalent conductivity sections are used instead of the sections above and may require larger terminals.

## Mechanical shock resistance IK

The IK is expressed in Joule in compliance with the requirements of IEC 62262.

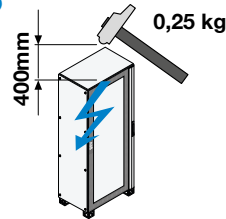
IK 0

Not protected



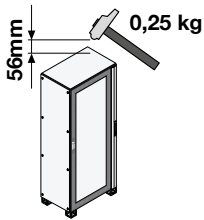
IK 06

Impact energy in  
Joule **1.00**



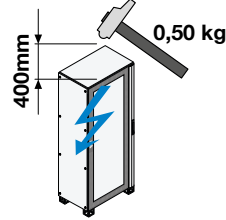
IK 01

Impact energy in  
Joule **0.140**



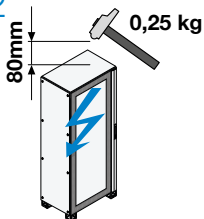
IK 07

Impact energy in  
Joule **2.00**



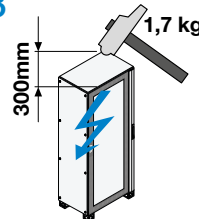
IK 02

Impact energy in  
Joule **0.200**



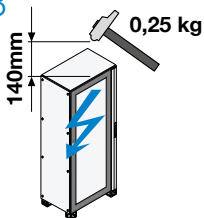
IK 08

Impact energy in  
Joule **5.00**



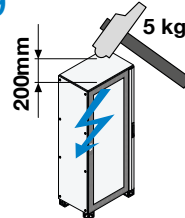
IK 03

Impact energy in  
Joule **0.350**



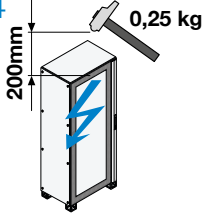
IK 09

**System pro E power**  
**Glass door**  
Impact energy in  
Joule **10.00**



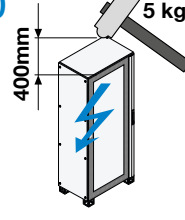
IK 04

Impact energy in  
Joule **0.500**



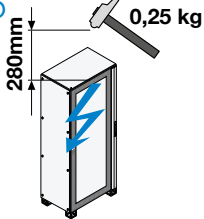
IK 10

**System pro E power**  
**Blind door**  
Impact energy in  
Joule **20.00**



IK 05

Impact energy in  
Joule **0.700**




# System pro E power


## Technical details and certifications

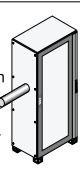
### IP protection class

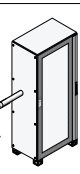
#### 1<sup>st</sup> DIGIT: protection against solid objects

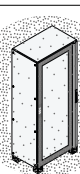
0 No protection

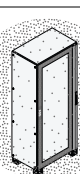
1  Protected against solid objects larger than 50mm (accidental contact with the hands)

2  Protected against solid objects larger than 12mm (fingers)

3  Protected against solid objects larger than 2.5mm (tools, wires)

4  Protected against solid objects larger than 1mm

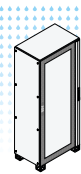
5  Protected against dust (no harmful deposits)

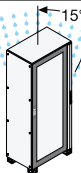
6  Totally protected against dust

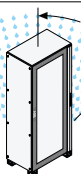
1<sup>st</sup> digit defined by Standards 61439-1-2 (Ref. sect. 10.3).

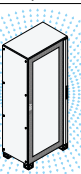
#### 2<sup>nd</sup> DIGIT: Protection against liquids


0 No protection


1  Protected against vertically dripping water (condensation)

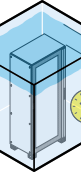
2  Protected against water dripping at an angle up to 15° from the vertical

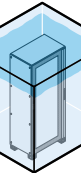
3  Protected against rain falling at an angle up to 60° from the vertical

4  Protected against water splashing from all directions

5  Protected against jets of water sprayed from all directions

6  Protected against jets of water similar to waves

7  Protected against the effects of temporary immersion

8  Protected against the effects of continuous immersion

2<sup>nd</sup> digit defined by Standards 61439-1-2 (Ref. sect. 10.3).

## IP protection class

### Protection against ingress of solid objects

1 <sup>st</sup> characteristic digit	Brief description	Full description
0	Not protected	No particular protection is envisaged
1	Protected against solid objects larger than 50mm	A large area of the human body, for example a hand (however, voluntary protection is not envisaged) or solid objects larger than 50mm in diameter must not be able to penetrate
2	Protected against solid objects measuring	The fingers or similar objects measuring 80mm or solid objects more than 12mm in diameter must not be able to penetrate
3	Protected against solid objects measuring more than 2.5mm	Tools, wires, etc., more than 2.5mm in diameter or thickness or solid objects more than 2.5mm in diameter must not be able to penetrate
4	Protected against solid objects measuring more than 1.0mm	Wires or flat cables more than 1.0mm thick or solid objects more than 1.0mm in diameter must not be able to penetrate
5	Protected against dust	Penetration of dust is not totally excluded but the quantity that may penetrate is not sufficient to impair the correct operation of the material
6	Totally protected against dust	No dust penetration is permitted

### Protection against ingress of water

2 <sup>nd</sup> characteristic digit	Brief description	Full description
0	Not protected	No particular protection is envisaged
1	Protected against dripping water	Drops of water falling vertically must not produce harmful effects
2	Protected against water dripping at a maximum angle of 15°	Drops of water falling vertically must not produce harmful effects when the enclosure is tilted at any angle up to 15° from its normal position
3	Protected against rainfall	Water falling as a spray at any angle up to 60° from the vertical shall have no harmful effects
4	Protected against splashing water	Water splashing against the enclosure from any direction shall have no harmful effects
5	Protected against water jets	Water projected by a nozzle from any direction shall have no harmful effects
6	Protected against waves	Waves or powerful water jets shall not penetrate the enclosure in harmful quantities
7	Protected against the effects of temporary immersion	Ingress of water in harmful quantities shall not be possible when the enclosure is immersed in water under defined conditions of pressure and time
8	Protected against the effects of continuous immersion	The equipment is suitable for continuous immersion under conditions which shall be specified by the manufacturer



# System pro *E* power

## Overall dimensions

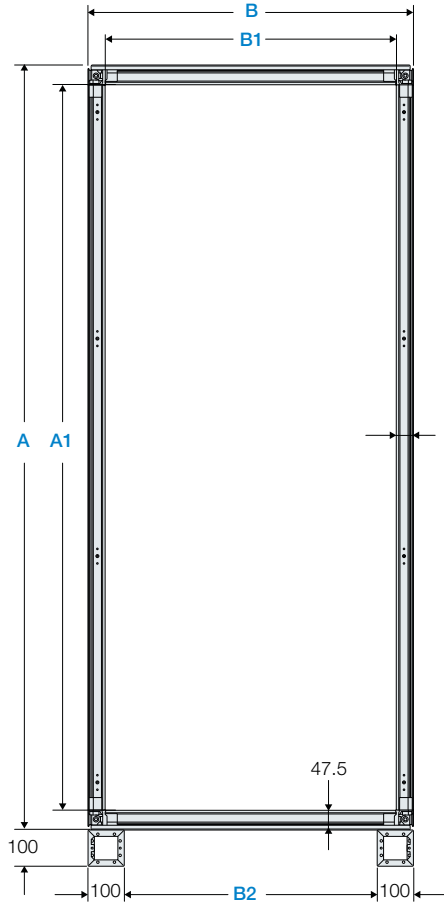
Frame	5/2
External covers	5/4
Module WR mounting frame	5/7
Internal and external cover	5/8

# System pro E power

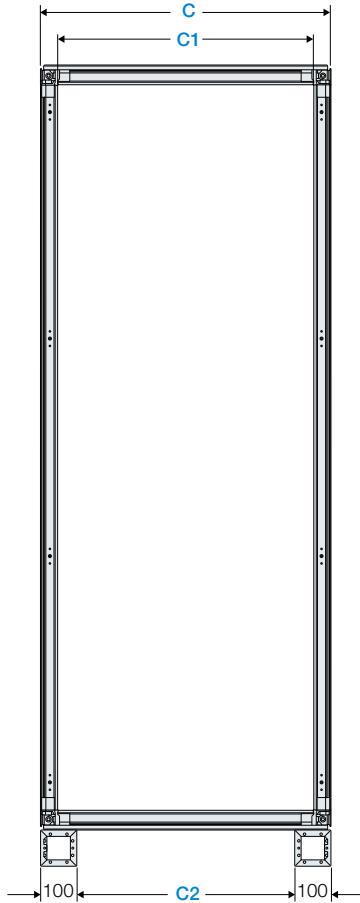
## Overall dimensions

### Frame

Front



Side



#### Height measurements (mm)

A	A1
1913	1804
2213	2104

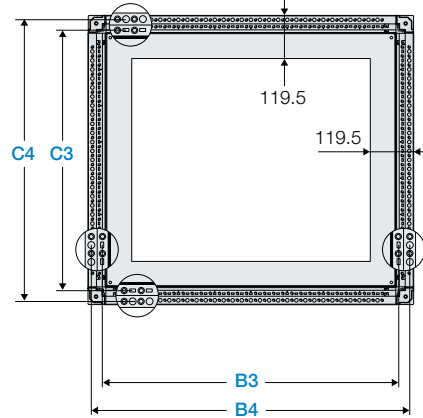
#### Width measurements (mm)

B	B1	B2	B3	B4	B5	B6	B7	B8
349	254	148	287	325	194	271	348	226
599	504	398	537	575	444	521	598	476
849	754	648	787	825	694	771	848	726
1099	1004	898	1037	1075	944	1021	1098	976
1349	1254	2248	1287	1325	1194	1271	1348	1226

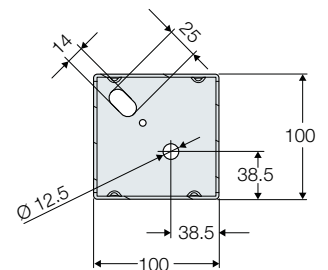
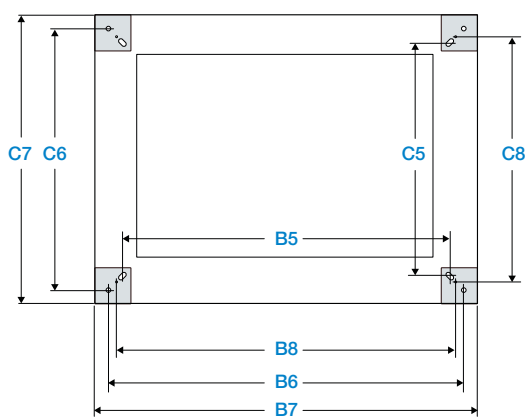
#### Depth measurements (mm)

C	C1	C2	C3	C4	C5	C6	C7	C8
299	204	98	237	275	144	221	298	176
399	304	198	337	375	244	321	398	276
599	504	398	537	575	444	521	598	476
799	704	598	737	775	644	721	798	676
999	904	798	937	975	844	921	998	876

Bottom

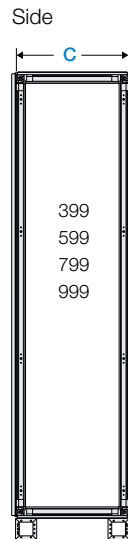
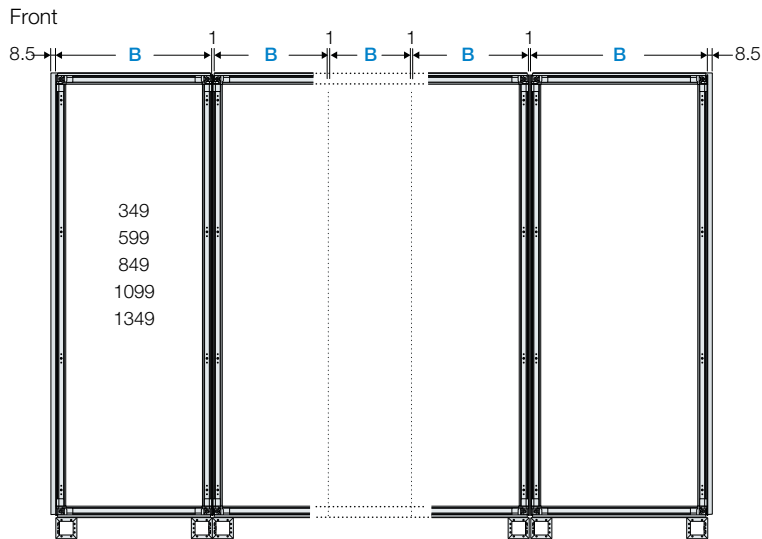


Fixing on floor





## Overall dimensions for several adjacent structures

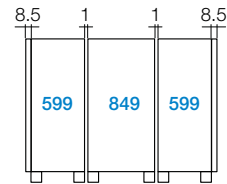


### Total width calculation

- 1- add 1mm to the width of the columns ( $B+1$ ) + ( $B+1$ )...
- 2- add 17mm for the 2 side panels ( $8.5+8.5=17$ mm)
- 3- subtract 1mm from the total (-1mm)

### Example

$$(599+1) + (849+1) + (599+1) + 17 - 1 = 2.066$$



### Total depth calculation

Add 48mm to the depth of the structure (**C**), corresponding to the front and rear covers.

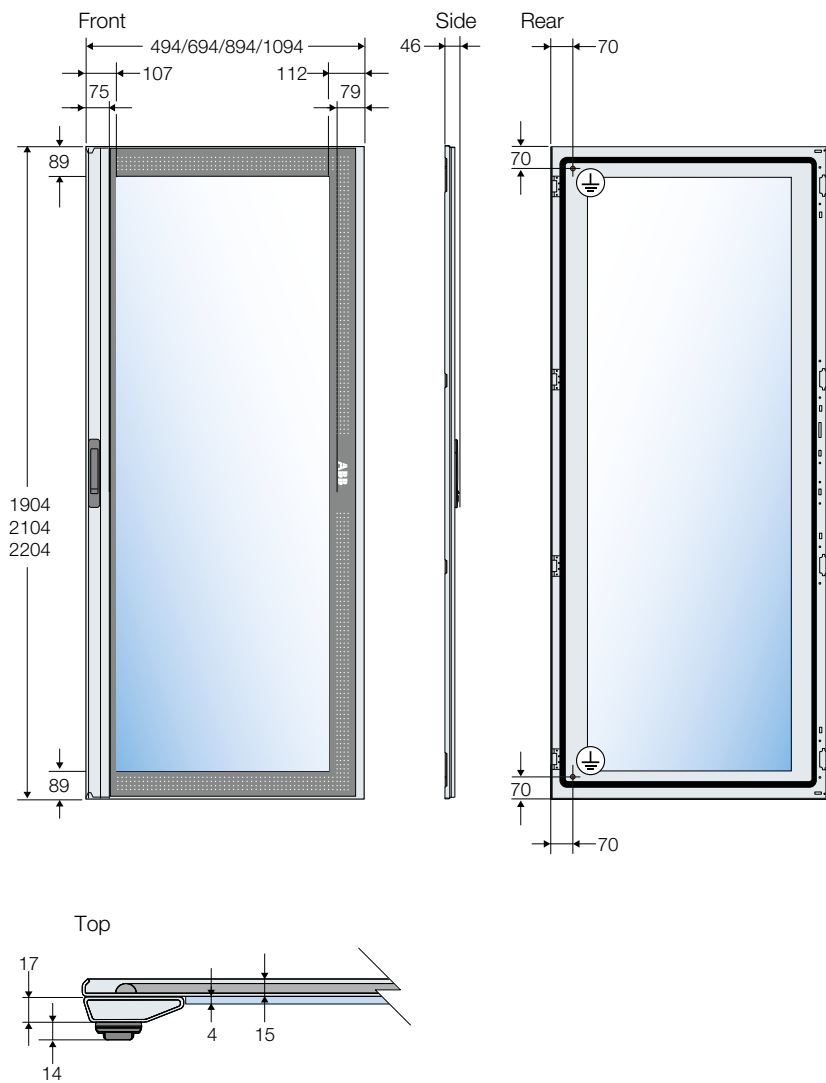
**C** (depth of the structure) +  
48mm (front and rear covers including handle)

# System pro E power

## Overall dimensions

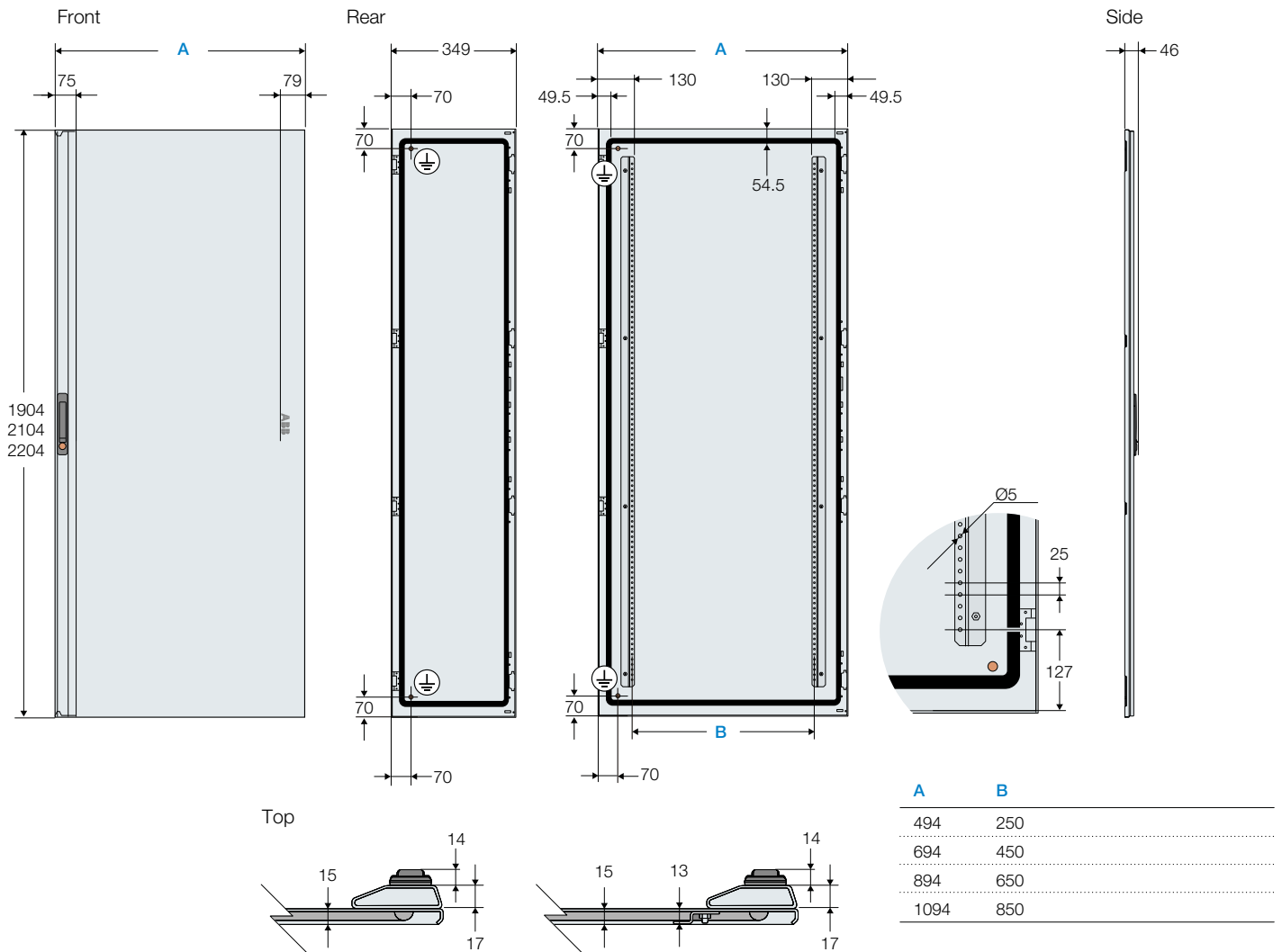
### External covers

### Glass doors



## External covers

### Blind doors



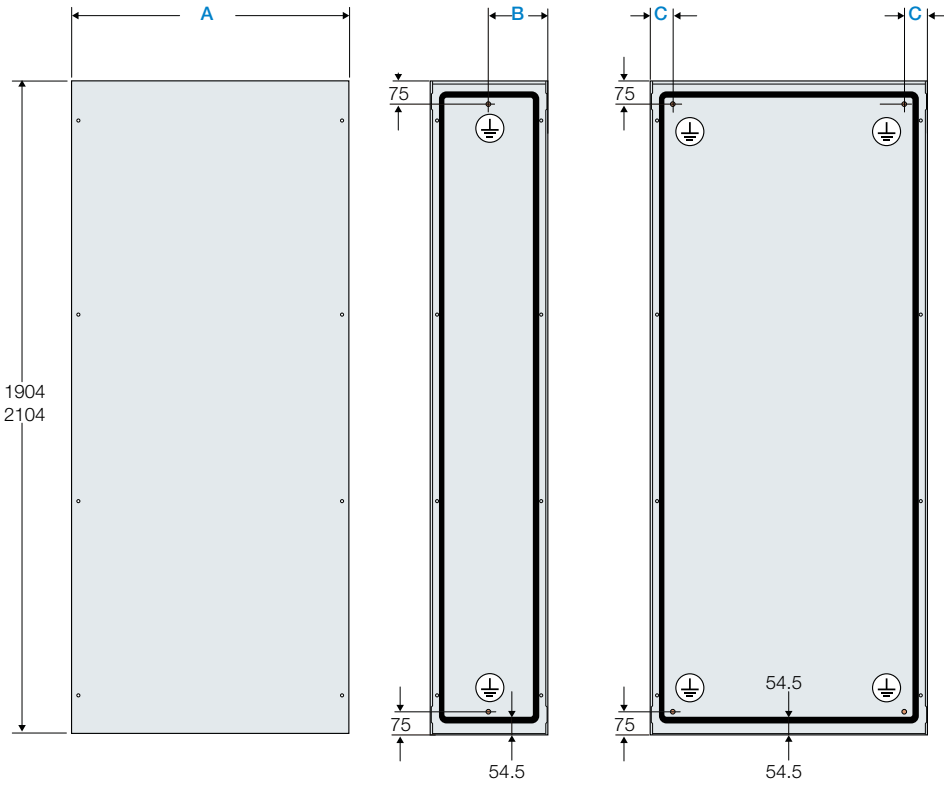
# System pro E power

## Overall dimensions

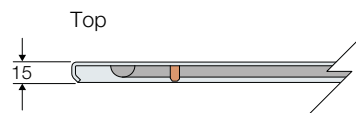
### External covers

Rear, side panels

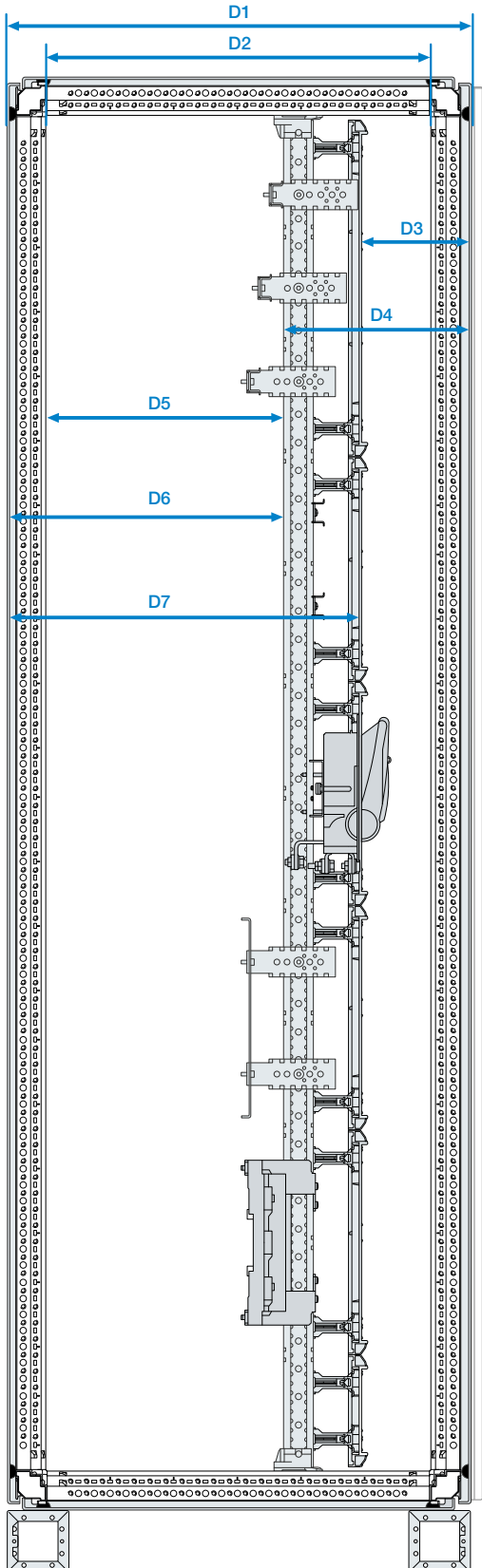
5



Rear panels			Side panels		
A	B	C	A	B	C
389	194.5		289	144.5	
489	244.5		389	194.5	
689		75	589		75
889		75	789		75
1089		75	989		75



## Modules WR mounting frame



### Empty enclosures

D1	D2	D3	D4	D5	D6	D7
316	204	83	188	70	125	227
416	304	133	238	120	175	227
616	504	133	238	320	375	477
816	704	133	238	520	575	677

### 185mm Busbar System

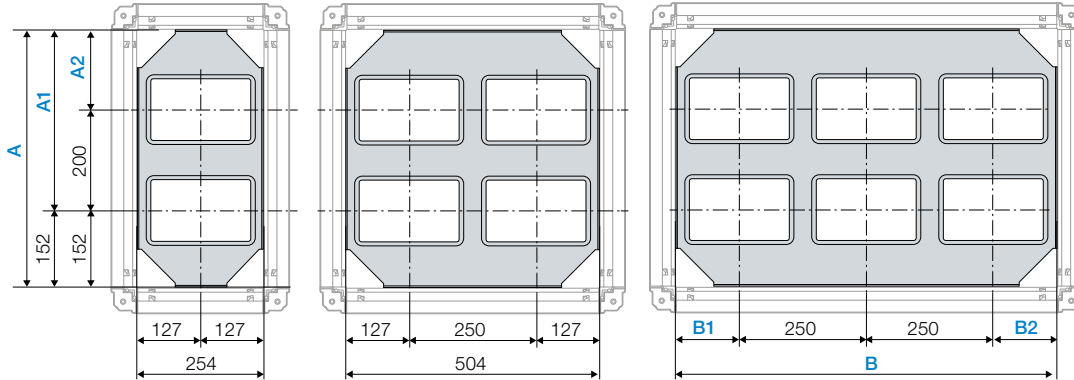
	D1	D2	D3	D4	D5	D6	D7
Emax E1.2, Tmax T7, InLine II, SlimLine XR, T4, T5, T6	616	504	133	238	320	375	477
Emax E2.2	616	504	58	163	395	450	552

# System pro E power

## Overall dimensions

### Internal cover

PBWF....

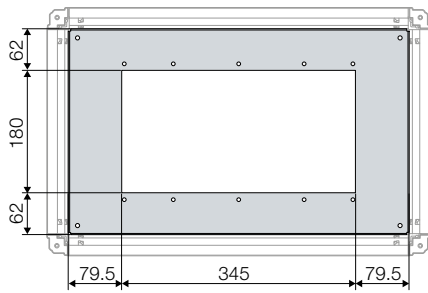


A	A1*	A2**
304	152	-
504	352	152
704	552	352
904	752	552

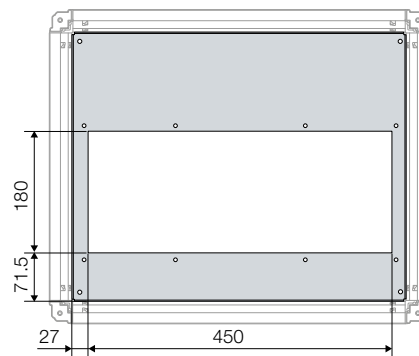
\*One row \*\*Two rows

B	B1	B2
754	127	127
1004	252	252
1254	377	377

PBWF5031

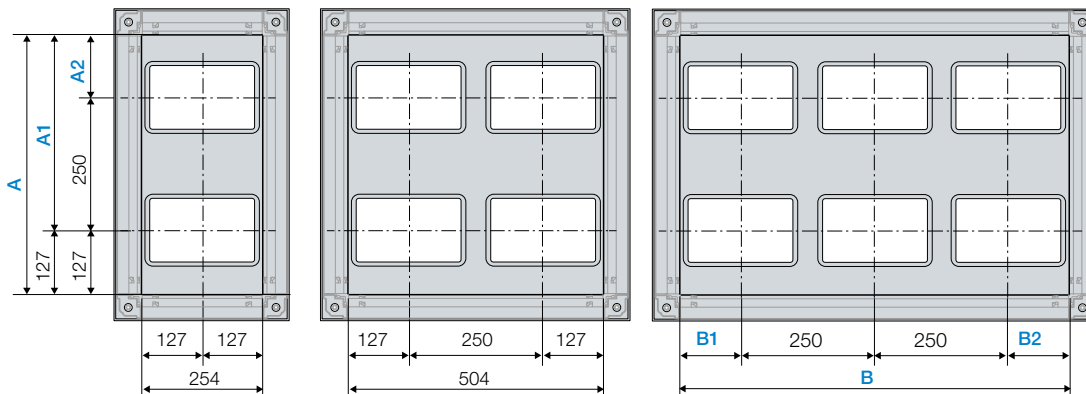


PBWF5051



### External cover

PTBT ....

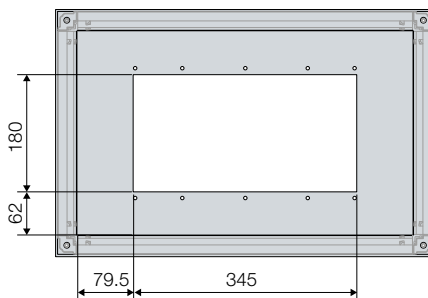


A	A1*	A2**
304	177	-
504	377	127
704	577	327
904	777	527

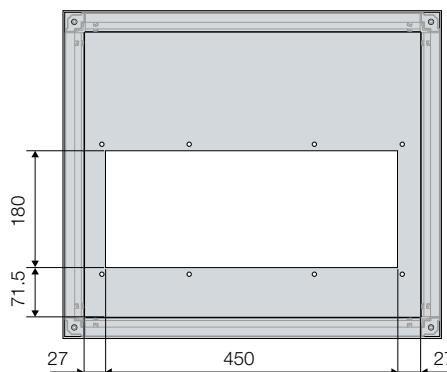
\*One row \*\*Two rows

B	B1	B2
754	127	127
1004	252	252
1254	377	377

PTBT5031



PTBT 5051



# System pro *E* power

## List of codes

Empty enclosures for free construction	6/2
185 mm Busbar System	6/4

# System pro E power

## Empty enclosures for free construction

Code	Page	Weight KG	Code	Page	Weight KG	Code	Page	Weight KG	Code	Page	Weight KG
1STQ001001M0000	2/6		1STQ001054M0000	2/6		1STQ001110M0000	2/9		1STQ001163M0000	2/12	
1STQ001002M0000	2/6		1STQ001055M0000	2/6		1STQ001111M0000	2/9		1STQ001164M0000	2/13	
1STQ001003M0000	2/6		1STQ001056M0000	2/6		1STQ001112M0000	2/9		1STQ001165M0000	2/13	
1STQ001004M0000	2/6		1STQ001057M0000	2/6		1STQ001113M0000	2/9		1STQ001166M0000	2/13	
1STQ001005M0000	2/6		1STQ001058M0000	2/6		1STQ001114M0000	2/10		1STQ001167M0000	2/13	
1STQ001006M0000	2/6		1STQ001059M0000	2/6		1STQ001115M0000	2/10		1STQ001168M0000	2/13	
1STQ001007M0000	2/6		1STQ001060M0000	2/6		1STQ001116M0000	2/10		1STQ001169M0000	2/13	
1STQ001008M0000	2/6		1STQ001061M0000	2/6		1STQ001117M0000	2/10		1STQ001170M0000	2/13	
1STQ001009M0000	2/6		1STQ001062M0000	2/6		1STQ001118M0000	2/10		1STQ001171M0000	2/13	
1STQ001010M0000	2/6		1STQ001063M0000	2/6		1STQ001119M0000	2/10		1STQ001172M0000	2/13	
1STQ001011M0000	2/6		1STQ001064M0000	2/6		1STQ001120M0000	2/10		1STQ001173M0000	2/13	
1STQ001012M0000	2/6		1STQ001065M0000	2/6		1STQ001121M0000	2/10		1STQ001174M0000	2/13	
1STQ001013M0000	2/6		1STQ001066M0000	2/6		1STQ001122M0000	2/10		1STQ001175M0000	2/13	
1STQ001014M0000	2/6		1STQ001067M0000	2/6		1STQ001123M0000	2/10		1STQ001176M0000	2/13	
1STQ001015M0000	2/6		1STQ001068M0000	2/6		1STQ001124M0000	2/10		1STQ001177M0000	2/13	
1STQ001016M0000	2/6		1STQ001069M0000	2/6		1STQ001125M0000	2/10		1STQ001178M0000	2/13	
1STQ001017M0000	2/6		1STQ001070M0000	2/6		1STQ001126M0000	2/10		1STQ001179M0000	2/13	
1STQ001018M0000	2/6		1STQ001071M0000	2/6		1STQ001127M0000	2/10		1STQ001180M0000	2/13	
1STQ001019M0000	2/6		1STQ001072M0000	2/6		1STQ001128M0000	2/10		1STQ001181M0000	2/13	
1STQ001020M0000	2/6		1STQ001073M0000	2/6		1STQ001129M0000	2/10		1STQ001182M0000	2/13	
1STQ001021M0000	2/6		1STQ001074M0000	2/6		1STQ001130M0000	2/10		1STQ001183M0000	2/13	
1STQ001022M0000	2/6		1STQ001075M0000	2/6		1STQ001131M0000	2/10		1STQ001184M0000	2/13	
1STQ001023M0000	2/6		1STQ001076M0000	2/6		1STQ001132M0000	2/10		1STQ001185M0000	2/13	
1STQ001024M0000	2/6		1STQ001077M0000	2/6		1STQ001133M0000	2/10		1STQ001186M0000	2/13	
1STQ001025M0000	2/6		1STQ001078M0000	2/6		1STQ001134M0000	2/12		1STQ001187M0000	2/13	
1STQ001026M0000	2/6		1STQ001079M0000	2/6		1STQ001135M0000	2/12		1STQ001188M0000	2/13	
1STQ001027M0000	2/6		1STQ001080M0000	2/6		1STQ001136M0000	2/12		1STQ001189M0000	2/13	
1STQ001028M0000	2/6		1STQ001081M0000	2/6		1STQ001137M0000	2/12		1STQ001190M0000	2/13	
1STQ001029M0000	2/6		1STQ001082M0000	2/6		1STQ001138M0000	2/12		1STQ001191M0000	2/13	
1STQ001030M0000	2/6		1STQ001083M0000	2/6		1STQ001139M0000	2/12		1STQ001192M0000	2/13	
1STQ001031M0000	2/6		1STQ001084M0000	2/6		1STQ001140M0000	2/12		1STQ001193M0000	2/13	
1STQ001032M0000	2/6		1STQ001085M0000	2/6		1STQ001141M0000	2/12		1STQ001194M0000	2/14	
1STQ001033M0000	2/6		1STQ001086M0000	2/6		1STQ001142M0000	2/12		1STQ001195M0000	2/14	
1STQ001034M0000	2/6		1STQ001087M0000	2/6		1STQ001143M0000	2/12		1STQ001196M0000	2/14	
1STQ001035M0000	2/6		1STQ001088M0000	2/6		1STQ001144M0000	2/12		1STQ001197M0000	2/14	
1STQ001036M0000	2/6		1STQ001089M0000	2/6		1STQ001145M0000	2/12		1STQ001198M0000	2/14	
1STQ001037M0000	2/6		1STQ001090M0000	2/6		1STQ001146M0000	2/12		1STQ001199M0000	2/14	
1STQ001038M0000	2/6		1STQ001091M0000	2/6		1STQ001147M0000	2/12		1STQ001200M0000	2/14	
1STQ001039M0000	2/6		1STQ001092M0000	2/6		1STQ001148M0000	2/12		1STQ001201M0000	2/14	
1STQ001040M0000	2/6		1STQ001093M0000	2/6		1STQ001149M0000	2/12		1STQ001202M0000	2/14	
1STQ001041M0000	2/6		1STQ001094M0000	2/6		1STQ001150M0000	2/12		1STQ001203M0000	2/14	
1STQ001042M0000	2/6		1STQ001095M0000	2/6		1STQ001151M0000	2/12		1STQ001204M0000	2/14	
1STQ001043M0000	2/6		1STQ001096M0000	2/6		1STQ001152M0000	2/12		1STQ001205M0000	2/14	
1STQ001044M0000	2/6		1STQ001097M0000	2/6		1STQ001153M0000	2/12		1STQ001206M0000	2/14	
1STQ001045M0000	2/6		1STQ001098M0000	2/6		1STQ001154M0000	2/12		1STQ001207M0000	2/14	
1STQ001046M0000	2/6		1STQ001099M0000	2/6		1STQ001155M0000	2/12		1STQ001208M0000	2/14	
1STQ001047M0000	2/6		1STQ001100M0000	2/6		1STQ001156M0000	2/12		1STQ001209M0000	2/14	
1STQ001048M0000	2/6		1STQ001104M0000	2/8		1STQ001157M0000	2/12		1STQ001210M0000	2/14	
1STQ001049M0000	2/6		1STQ001106M0000	2/9		1STQ001158M0000	2/12		1STQ001211M0000	2/14	
1STQ001050M0000	2/6		1STQ001107M0000	2/9		1STQ001159M0000	2/12		1STQ001212M0000	2/14	
1STQ001051M0000	2/6		1STQ001108M0000	2/9		1STQ001160M0000	2/12		1STQ001213M0000	2/14	
1STQ001052M0000	2/6		1STQ001109M0000	2/9		1STQ001161M0000	2/12		1STQ001214M0000	2/15	
1STQ001053M0000	2/6		1STQ001109M0000	2/9		1STQ001162M0000	2/12		1STQ001215M0000	2/15	



Code	Page	Weight KG
1STQ001216M0000	2/15	
1STQ001217M0000	2/15	
1STQ001218M0000	2/15	
1STQ001219M0000	2/15	
1STQ001220M0000	2/15	
1STQ001221M0000	2/15	
1STQ001222M0000	2/15	
1STQ001223M0000	2/15	
1STQ001224M0000	2/15	
1STQ001225M0000	2/15	
1STQ001226M0000	2/15	
1STQ001227M0000	2/15	
1STQ001228M0000	2/15	
1STQ001229M0000	2/15	
1STQ001230M0000	2/15	
1STQ001231M0000	2/15	
1STQ001232M0000	2/15	
1STQ001233M0000	2/15	
1STQ001234M0000	2/15	
1STQ001235M0000	2/15	
1STQ001236M0000	2/15	
1STQ001237M0000	2/15	
1STQ001238M0000	2/15	
1STQ001239M0000	2/15	
1STQ001240M0000	2/15	
1STQ001241M0000	2/15	
1STQ001242M0000	2/15	
1STQ001243M0000	2/15	
1STQ001244M0000	2/18	
1STQ001245M0000	2/18	
1STQ001246M0000	2/18	
1STQ001247M0000	2/18	
1STQ001248M0000	2/18	
1STQ001249M0000	2/18	
1STQ001250M0000	2/18	
1STQ001251M0000	2/18	
1STQ001252M0000	2/18	
1STQ001253M0000	2/18	
1STQ001254M0000	2/18	
1STQ001255M0000	2/18	
1STQ001256M0000	2/18	
1STQ001256M0000	2/18	
1STQ001257M0000	2/18	
1STQ001258M0000	2/18	
1STQ001259M0000	2/18	
1STQ001260M0000	2/18	
1STQ001261M0000	2/18	
1STQ001262M0000	2/18	
1STQ001263M0000	2/18	
1STQ001263M0000	2/18	
1STQ001264M0000	2/18	
1STQ001265M0000	2/18	
1STQ001266M0000	2/19	

Code	Page	Weight KG
1STQ001267M0000	2/19	
1STQ001268M0000	2/19	
1STQ001269M0000	2/19	
1STQ001269M0000	2/19	
1STQ001270M0000	2/19	
1STQ001271M0000	2/19	
1STQ001272M0000	2/19	
1STQ001273M0000	2/19	
1STQ001274M0000	2/19	
1STQ001275M0000	2/19	
1STQ001275M0000	2/19	
1STQ001276M0000	2/19	
1STQ001277M0000	2/19	
1STQ001278M0000	2/19	
1STQ001279M0000	2/19	
1STQ001280M0000	2/19	
1STQ001281M0000	2/19	
1STQ001282M0000	2/19	
1STQ001283M0000	2/19	
1STQ001284M0000	2/19	
1STQ001285M0000	2/20	
1STQ001286M0000	2/20	
1STQ001287M0000	2/20	
1STQ001288M0000	2/20	
1STQ001289M0000	2/20	
1STQ001290M0000	2/20	
1STQ001291M0000	2/20	
1STQ001292M0000	2/20	
1STQ001293M0000	2/20	
1STQ001294M0000	2/20	
1STQ001295M0000	2/20	
1STQ001296M0000	2/20	
1STQ001297M0000	2/20	
1STQ001298M0000	2/20	
1STQ001299M0000	2/20	
1STQ001300M0000	2/21	
1STQ001301M0000	2/21	
1STQ001302M0000	2/21	
1STQ005560B0000	2/20	
1STQ005561B0000	2/20	
1STQ005562B0000	2/20	
1STQ005563B0000	2/20	
1STQ005564B0000	2/20	
1STQ005565B0000	2/20	
1STQ005566B0000	2/20	
1STQ005567B0000	2/20	
1STQ005568B0000	2/20	
2CPX023978R9999	2/20	
2x PFCF6030	2/11	
2x PFCF6050	2/11	
2x PFCF6070	2/11	
AA1560	2/21	
AA1570	2/21	

Code	Page	Weight KG
AA6200	2/21	
AA8004	2/21	
AD1058	2/21	
EV0103	2/25	
EV0104	2/25	
EV0114	2/16	
EV0116	2/16	
EV0117	2/16	
EV0119	2/16	
EV0121	2/16	
EV0123	2/16	
EV0124	2/16	
EV0125	2/16	
EV0126	2/16	
EV0127	2/16	
EV1050	2/24	
EV1051	2/24	
EV1056	2/24	
EV1058	2/24	
EV1090	2/24	
EV1091	2/24	
EV1092	2/24	
EV1093	2/24	
EV1100	2/25	
EV1101	2/25	
PBBS0001	2/22	
PBBS0001	2/22	
PBBS0020	2/22	
PBBS0020	2/22	
PBBU0008	2/45	
PBBV0008	2/45	
PBBV0008	2/45	
PBCM0004	2/20	
PBMC0002	2/45	
PBRB0004	2/15	
PBRL0002	2/25	
PBWF0002	2/25	
PBWF1026	2/15	
PBWF1036	2/15	
PBWF1056	2/15	
PBWF1057	2/15	
PBWF1076	2/15	
PBWF1077	2/15	
PBWF1226	2/15	
PBWF1236	2/15	
PBWF1256	2/15	
PBWF1257	2/15	
PBWF1276	2/15	
PBWF1277	2/15	
PBWF2526	2/15	
PBWF2536	2/15	
PBWF2556	2/15	
PBWF2557	2/15	

Code	Page	Weight KG
PBWF2576	2/15	
PBWF2577	2/15	
PBWF3056	2/15	
PBWF5026	2/15	
PBWF5050	2/15	
PBWF5057	2/15	
PBWF5076	2/15	
PBWF5077	2/15	
PBWF7526	2/15	
PBWF7536	2/15	
PBWF7556	2/15	
PBWF7557	2/15	
PBWF7576	2/15	
PBWF7577	2/15	
PBWP1020	2/14	
PBWP1030	2/14	
PBWP1050	2/14	
PBWP1070	2/14	
PBWP1220	2/14	
PBWP1230	2/14	
PBWP1250	2/14	
PBWP1270	2/14	
PBWP2520	2/14	
PBWP2530	2/14	
PBWP2550	2/14	
PBWP2570	2/14	
PBWP3050	2/14	
PBWP5020	2/14	
PBWP5050	2/14	
PBWP5070	2/14	
PBWP7520	2/14	
PBWP7530	2/14	
PBWP7550	2/14	
PBWP7570	2/14	
PCCM0200	2/46	
PCCM0300	2/46	
PCCM0500	2/46	
PCCM0700	2/46	
PCCM0900	2/46	
PCFM0200	2/8	
PCFM0250	2/8	
PCFM0300	2/8	
PCFM0500	2/8	
PCFM0500	2/8	
PCFM0700	2/8	
PCFM0750	2/8	
PCFM1000	2/8	
PCFM1250	2/8	
PCPA0004	2/9	
PCR0188	2/44	
PCR0238	2/44	
PCR0288	2/44	
PCR0288	2/44	

# System pro E power

## Empty enclosures for free construction

Code	Page	Weight KG	Code	Page	Weight KG	Code	Page	Weight KG	Code	Page	Weight KG
PCRM0338	2/44		PDNG1816	2/19		PPEB2126	2/18		PTB01050	2/11	
PCRM0388	2/44		PDNG1856	2/19		PPEB2136	2/18		PTB01070	2/11	
PCRM0438	2/44		PDNG1876	2/19		PPEB2156	2/17		PTB01230	2/11	
PCRM0488	2/44		PDNG2116	2/19		PPEB2156	2/18		PTB01250	2/11	
PCRM0538	2/44		PDNG2156	2/19		PPEB2175	2/17		PTB01270	2/11	
PCRM0588	2/44		PDNG2176	2/19		PPEB2176	2/18		PTB02520	2/11	
PCRM0638	2/44		PDNG8406	2/19		PPFH0250	2/19		PTB02530	2/11	
PCRM0688	2/44		PDNG8506	2/19		PPFH0500	2/19		PTB02550	2/11	
PCRM0738	2/44		PDRP0300	2/46		PPFH0750	2/19		PTB02570	2/11	
PCRM0788	2/44		PDRP0500	2/46		PPFH1000	2/19		PTB03050	2/11	
PCRM0888	2/44		PDRP0700	2/46		PPFH1250	2/19		PTB05020	2/11	
PCRM0988	2/44		PDRP0900	2/46		PPFM1010	2/9		PTB05050	2/11	
PCRM1238	2/44		PEBL0004	2/25		PPFM1020	2/9		PTB05070	2/11	
PCRM1788	2/44		PFCF1030	2/11		PPFM1025	2/9		PTB07520	2/11	
PCRM1988	2/44		PFCF1050	2/11		PPFM1030	2/9		PTB07530	2/11	
PCRM2013	2/44		PFCF1070	2/11		PPFM1050	2/9		PTB07550	2/11	
PCSS0024	2/25		PFCF2520	2/11		PPFM1050	2/9		PTB07570	2/11	
PCTG1810	2/20		PFCF2530	2/11		PPFM1070	2/9		PTBT1026	2/12	
PCTG1812	2/20		PFCF2550	2/11		PPFM1075	2/9		PTBT1028	2/13	
PCTG1825	2/20		PFCF2570	2/11		PPFM1250	2/9		PTBT1036	2/12	
PCTG1850	2/20		PFCF3050	2/11		PPFV1800	2/19		PTBT1038	2/13	
PCTG1875	2/20		PFCF5020	2/11		PPFV2100	2/19		PTBT1056	2/12	
PCTG2110	2/20		PFCF5050	2/11		PPIM0100	2/9		PTBT1057	2/12	
PCTG2112	2/20		PFCF5070	2/11		PPLB1826	2/17		PTBT1058	2/13	
PCTG2125	2/20		PFCF5070	2/11		PPLB2126	2/17		PTBT1059	2/13	
PCTG2150	2/20		PFCF7520	2/11		PPRB1826	2/17		PTBT1076	2/12	
PCTG2175	2/20		PFCF7530	2/11		PPRB2126	2/17		PTBT1077	2/12	
PDFC0200	2/20		PFCF7550	2/11		PSAF0016	2/25		PTBT1078	2/13	
PDFC0300	2/20		PFCF7570	2/11		PSBS0065	2/24		PTBT1078	2/13	
PDFC0500	2/20		PHDR0004	2/25		PSCP0024	2/25		PTBT1079	2/13	
PDFC0700	2/20		PHFR4180	2/25		PSCS0579	2/24		PTBT1226	2/12	
PDLB1126	2/18		PHLS0011	2/21		PSES0008	2/24		PTBT1228	2/13	
PDLB1126	2/18		PHLS0012	2/21		PTBB1026	2/10		PTBT1236	2/12	
PDLB8126	2/18		PHLS0013	2/21		PTBB1036	2/10		PTBT1238	2/13	
PDLB8126	2/18		PIDH0010	2/21		PTBB1036	2/10		PTBT1256	2/12	
PDLG1126	2/19		PIEH0008	2/21		PTBB1056	2/10		PTBT1257	2/12	
PDLG1126	2/19		PIFH0020	2/21		PTBB1076	2/10		PTBT1258	2/13	
PDLG8126	2/19		PIRH0405	2/21		PTBB1220	2/10		PTBT1259	2/13	
PDLG8126	2/19		PIRH0455	2/21		PTBB1236	2/10		PTBT1276	2/12	
PDNB1406	2/18		PIRH1242	2/21		PTBB1256	2/10		PTBT1277	2/12	
PDNB1506	2/18		PIRH2432	2/21		PTBB1276	2/10		PTBT1278	2/13	
PDNB1816	2/18		PISH0007	2/21		PTBB2526	2/10		PTBT1279	2/13	
PDNB1826	2/18		PITH0064	2/21		PTBB2536	2/10		PTBT2526	2/12	
PDNB1856	2/18		PPAM0100	2/8		PTBB2556	2/10		PTBT2528	2/13	
PDNB1876	2/18		PPEB1816	2/17		PTBB2576	2/10		PTBT2536	2/12	
PDNB2116	2/18		PPEB1825	2/17		PTBB3056	2/10		PTBT2538	2/13	
PDNB2126	2/18		PPEB1826	2/18		PTBB5026	2/10		PTBT2556	2/12	
PDNB2156	2/18		PPEB1836	2/18		PTBB5050	2/10		PTBT2557	2/12	
PDNB2176	2/18		PPEB1856	2/17		PTBB5076	2/10		PTBT2558	2/13	
PDNB8406	2/18		PPEB1856	2/18		PTBB7526	2/10		PTBT2559	2/13	
PDNB8506	2/18		PPEB1875	2/17		PTBB7536	2/10		PTBT2576	2/12	
PDNG1406	2/19		PPEB1876	2/18		PTBB7556	2/10		PTBT2577	2/12	
PDNG1506	2/19		PPEB2116	2/17		PTBB7576	2/10		PTBT2578	2/13	
			PPEB2125	2/17		PTB01030	2/11		PTBT2579	2/13	

Code	Page	Weight KG
PTBT3056	2/12	
PTBT3058	2/13	
PTBT5026	2/12	
PTBT5029	2/13	
PTBT5050	2/12	
PTBT5057	2/12	
PTBT5058	2/13	
PTBT5059	2/13	
PTBT5076	2/12	
PTBT5077	2/12	
PTBT5078	2/13	
PTBT5079	2/13	
PTBT7526	2/12	
PTBT7528	2/13	
PTBT7536	2/12	
PTBT7538	2/13	
PTBT7556	2/12	
PTBT7557	2/12	
PTBT7558	2/13	
PTBT7559	2/13	
PTBT7576	2/12	
PTBT7577	2/12	
PTBT7578	2/13	
PTBT7579	2/13	
PUPM1800	2/8	
PUPM2100	2/8	
PWRP1640	2/46	
PWRP1660	2/46	
PWRP1680	2/46	
PWRP1840	2/46	
PWRP1860	2/46	
PWRP1880	2/46	
PWRP2040	2/46	
PWRP2060	2/46	
PWRP2080	2/46	
RZ1P4	2/20	
RZB11	2/22	
RZB110	2/22	
RZB13	2/22	
RZB21	2/22	
RZB210	2/22	
RZB23	2/22	
RZB31	2/22	
RZB310	2/22	
RZB33	2/22	
RZB41	2/22	
RZB410	2/22	
RZB43	2/22	
RZB51	2/22	
RZB510	2/22	
RZB53	2/22	
RZBA110	2/22	
RZBA210	2/22	

Code	Page	Weight KG
RZBA310	2/22	
RZBA410	2/22	
RZBA510	2/22	
RZT310	2/22	
RZT33	2/22	
RZT410	2/22	
RZT43	2/22	
RZT610	2/22	
RZT63	2/22	
TZ102P10	2/17	
TZ103	2/17	
TZ103P10	2/17	
TZ104P10	2/17	
TZ104P10	2/17	
TZ105	2/17	
TZ105P10	2/17	
TZ106	2/17	
TZ106P10	2/17	
TZ107	2/17	
TZ107P10	2/17	
TZ110	2/17	
TZ110P10	2/17	
TZ111	2/17	
TZ111P10	2/17	
TZ112*	2/17	
XZ301	2/23	
XZ302	2/23	
XZ303	2/23	
XZ310	2/23	
ZH142	2/21	
ZN1041	2/9	

# System pro E power

## 185 mm Busbar Systems

Code	Page	Weight KG	Code	Page	Weight KG	Code	Page	Weight KG	Code	Page	Weight KG
1STQ001104M0000	3/10		1STQ001228M0000	3/13		1STQ001293M0000	3/16		1STQ005175B0000	3/36	
1STQ001105M0000	3/11		1STQ001229M0000	3/13		1STQ001294M0000	3/16		1STQ005187B0000	3/40	
1STQ001108M0000	3/11		1STQ001231M0000	3/13		1STQ001295M0000	3/17		1STQ005189B0000	3/40	
1STQ001109M0000	3/11		1STQ001232M0000	3/13		1STQ001297M0000	3/17		2CPX0423978R9999	3/17	
1STQ001109M0000	3/11		1STQ001236M0000	3/13		1STQ001298M0000	3/17		2CPX041200R9999	3/42	
1STQ001111M0000	3/11		1STQ001238M0000	3/13		1STQ001300M0000	3/17		2CPX041200R9999	3/42	
1STQ001112M0000	3/11		1STQ001240M0000	3/13		1STQ001301M0000	3/17		2CPX041201R9999	3/42	
1STQ001113M0000	3/11		1STQ001242M0000	3/13		1STQ001302M0000	3/17		2CPX041201R9999	3/42	
1STQ001119M0000	3/11		1STQ001244M0000	3/15		1STQ001303M0000	3/12		2CPX041202R9999	3/42	
1STQ001120M0000	3/11		1STQ001245M0000	3/15		1STQ001304M0000	3/12		2CPX041202R9999	3/42	
1STQ001123M0000	3/11		1STQ001247M0000	3/15		1STQ001305M0000	3/13		2CPX041203R9999	3/42	
1STQ001124M0000	3/11		1STQ001250M0000	3/15		1STQ001306M0000	3/13		2CPX041204R9999	3/42	
1STQ001127M0000	3/11		1STQ001253M0000	3/15		1STQ001308M0000	3/39		2CPX041205R9999	3/42	
1STQ001128M0000	3/11		1STQ001254M0000	3/15		1STQ001309M0000	3/32		2CPX041206R9999	3/42	
1STQ001131M0000	3/11		1STQ001255M0000	3/15		1STQ005097B0000	3/20		2CPX041207R9999	3/42	
1STQ001132M0000	3/11		1STQ001256M0000	3/15		1STQ005101B0000	3/22		2CPX041208R9999	3/42	
1STQ001142M0000	3/12		1STQ001256M0000	3/15		1STQ005103B0000	3/22		2CPX041209R9999	3/42	
1STQ001143M0000	3/12		1STQ001257M0000	3/15		1STQ005105B0000	3/23		2CPX041210R9999	3/42	
1STQ001145M0000	3/12		1STQ001258M0000	3/15		1STQ005107B0000	3/23		2CPX041211R9999	3/42	
1STQ001146M0000	3/12		1STQ001260M0000	3/15		1STQ005109B0000	3/25		2CPX041212R9999	3/42	
1STQ001148M0000	3/12		1STQ001261M0000	3/15		1STQ005111B0000	3/25		2CPX041213R9999	3/42	
1STQ001149M0000	3/12		1STQ001262M0000	3/15		1STQ005113B0000	3/25		2CPX041214R9999	3/42	
1STQ001151M0000	3/12		1STQ001263M0000	3/15		1STQ005115B0000	3/25		2CPX041215R9999	3/42	
1STQ001152M0000	3/12		1STQ001263M0000	3/15		1STQ005117B0000	3/25		2CPX041216R9999	3/42	
1STQ001156M0000	3/12		1STQ001264M0000	3/15		1STQ005119B0000	3/25		2CPX041217R9999	3/42	
1STQ001158M0000	3/12		1STQ001265M0000	3/15		1STQ005121B0000	3/25		2CPX041218R9999	3/42	
1STQ001160M0000	3/12		1STQ001266M0000	3/16		1STQ005123B0000	3/25		2CPX041219R9999	3/42	
1STQ001162M0000	3/12		1STQ001267M0000	3/16		1STQ005125B0000	3/27		2CPX041220R9999	3/42	
1STQ001169M0000	3/12		1STQ001268M0000	3/16		1STQ005127B0000	3/28		2CPX041221R9999	3/42	
1STQ001170M0000	3/12		1STQ001269M0000	3/16		1STQ005129B0000	3/28		2CPX041222R9999	3/42	
1STQ001173M0000	3/12		1STQ001269M0000	3/16		1STQ005131B0000	3/29		2CPX041223R9999	3/42	
1STQ001174M0000	3/12		1STQ001270M0000	3/16		1STQ005133B0000	3/31		2CPX041224R9999	3/42	
1STQ001177M0000	3/12		1STQ001271M0000	3/16		1STQ005135B0000	3/31		2CPX041225R9999	3/42	
1STQ001178M0000	3/12		1STQ001272M0000	3/16		1STQ005140B0000	3/26		2CPX041226R9999	3/42	
1STQ001181M0000	3/12		1STQ001273M0000	3/16		1STQ005141B0000	3/26		2CPX041227R9999	3/45	
1STQ001182M0000	3/12		1STQ001274M0000	3/16		1STQ005142B0000	3/26		2CPX041228R9999	3/45	
1STQ001186M0000	3/12		1STQ001275M0000	3/16		1STQ005143B0000	3/26		2CPX041229R9999	3/45	
1STQ001188M0000	3/12		1STQ001275M0000	3/16		1STQ005145B0000	3/32		2CPX041230R9999	3/45	
1STQ001190M0000	3/12		1STQ001276M0000	3/16		1STQ005147B0000	3/32		2CPX041231R9999	3/45	
1STQ001192M0000	3/12		1STQ001277M0000	3/16		1STQ005149B0000	3/32		2CPX041232R9999	3/45	
1STQ001199M0000	3/13		1STQ001278M0000	3/16		1STQ005154B0000	3/33		2CPX041233R9999	3/45	
1STQ001200M0000	3/13		1STQ001279M0000	3/16		1STQ005155B0000	3/33		2CPX041234R9999	3/45	
1STQ001203M0000	3/13		1STQ001281M0000	3/16		1STQ005156B0000	3/33		2CPX041235R9999	3/45	
1STQ001204M0000	3/13		1STQ001282M0000	3/16		1STQ005157B0000	3/33		2CPX041236R9999	3/45	
1STQ001207M0000	3/13		1STQ001283M0000	3/16		1STQ005159B0000	3/33		2CPX041237R9999	3/45	
1STQ001208M0000	3/13		1STQ001284M0000	3/16		1STQ005164B0000	3/33		2CPX041238R9999	3/45	
1STQ001211M0000	3/13		1STQ001286M0000	3/16		1STQ005165B0000	3/33		2CPX041239R9999	3/45	
1STQ001212M0000	3/13		1STQ001287M0000	3/16		1STQ005166B0000	3/33		2CPX041240R9999	3/45	
1STQ001222M0000	3/13		1STQ001288M0000	3/16		1STQ005167B0000	3/33		2CPX041241R9999	3/45	
1STQ001223M0000	3/13		1STQ001289M0000	3/16		1STQ005170B0000	3/34		2CPX041242R9999	3/44	
1STQ001225M0000	3/13		1STQ001291M0000	3/16		1STQ005171B0000	3/34		2CPX041243R9999	3/44	
1STQ001226M0000	3/13		1STQ001292M0000	3/16		1STQ005173B0000	3/36		2CPX041244R9999	3/44	

Code	Page	Weight KG
2CPX041245R9999	3/44	
2CPX041246R9999	3/44	
2CPX041247R9999	3/44	
2CPX041248R9999	3/44	
2CPX041249R9999	3/44	
2CPX041250R9999	3/44	
2CPX041251R9999	3/44	
2CPX041252R9999	3/44	
2CPX041253R9999	3/44	
2CPX041254R9999	3/44	
2CPX041255R9999	3/44	
2CPX041256R9999	3/44	
2CPX041257R9999	3/43	
2CPX041258R9999	3/43	
2CPX041259R9999	3/43	
2CPX041260R9999	3/43	
2CPX041261R9999	3/43	
2CPX041262R9999	3/43	
2CPX041263R9999	3/43	
2CPX041264R9999	3/43	
2CPX041265R9999	3/43	
2CPX041266R9999	3/43	
2CPX041267R9999	3/43	
2CPX041268R9999	3/43	
2CPX041269R9999	3/43	
2CPX041270R9999	3/43	
2CPX041271R9999	3/43	
2CPX041293R9999	3/48	
2CPX041299R9999	3/48	
2CPX041305R9999	3/50	
2CPX041311R9999	3/50	
2CPX041317R9999	3/52	
2CPX041323R9999	3/52	
2CPX041406R9999	3/46	
2CPX041407R9999	3/46	
2CPX041408R9999	3/46	
2CPX041409R9999	3/46	
2CPX041410R9999	3/46	
2CPX041411R9999	3/46	
2CPX041432R9999	3/41	
2CPX041433R9999	3/41	
2CPX041434R9999	3/41	
2CPX041435R9999	3/41	
2CPX041436R9999	3/41	
2CPX041437R9999	3/41	
2CPX041444R9999	3/41	
2CPX041445R9999	3/41	
2CPX041480R9999	3/47	
2CPX041481R9999	3/47	
2CPX041482R9999	3/47	
2CPX041483R9999	3/47	
2CPX041484R9999	3/47	

Code	Page	Weight KG
2CPX041492R9999	3/47	
2CPX041493R9999	3/47	
2CPX041494R9999	3/47	
2CPX041495R9999	3/47	
2CPX041496R9999	3/47	
2CPX041498R9999	3/47	
2CPX041499R9999	3/47	
2CPX041500R9999	3/47	
2CPX041501R9999	3/47	
2CPX041502R9999	3/47	
2CPX042450R9999	3/48	
2CPX042451R9999	3/48	
2CPX042822R9999	3/47	
2CPX042823R9999	3/47	
2CPX042824R9999	3/47	
2CPX042850R9999	3/18	
2CPX042851R9999	3/18	
2CPX042854R9999	3/18	
2CPX042855R9999	3/18	
2CPX043000R9999	3/19	
2CPX043001R9999	3/19	
2CPX043002R9999	3/18	
2CPX043003R9999	3/18	
2CPX043004R9999	3/20	
2CPX043014R9999	3/32	
2CPX043015R9999	3/32	
2CPX043016R9999	3/32	
2CPX043017R9999	3/32	
2CPX043018R9999	3/21	
2CPX043019R9999	3/21	
2CPX043022R9999	3/22	
2CPX043023R9999	3/22	
2CPX043024R9999	3/22	
2CPX043025R9999	3/22	
2CPX043026R9999	3/22	
2CPX043027R9999	3/22	
2CPX043034R9999	3/31	
2CPX043035R9999	3/31	
2CPX043038R9999	3/23	
2CPX043039R9999	3/23	
2CPX043040R9999	3/23	
2CPX043041R9999	3/24	
2CPX043042R9999	3/24	
2CPX043043R9999	3/24	
2CPX043044R9999	3/25	
2CPX043045R9999	3/25	
2CPX043046R9999	3/25	
2CPX043047R9999	3/25	
2CPX043048R9999	3/25	
2CPX043049R9999	3/25	
2CPX043050R9999	3/25	
2CPX043051R9999	3/25	

Code	Page	Weight KG
2CPX043052R9999	3/25	
2CPX043053R9999	3/25	
2CPX043054R9999	3/25	
2CPX043055R9999	3/25	
2CPX043056R9999	3/25	
2CPX043057R9999	3/25	
2CPX043058R9999	3/25	
2CPX043059R9999	3/25	
2CPX043060R9999	3/25	
2CPX043061R9999	3/25	
2CPX043062R9999	3/25	
2CPX043063R9999	3/25	
2CPX043064R9999	3/25	
2CPX043065R9999	3/25	
2CPX043066R9999	3/25	
2CPX043067R9999	3/25	
2CPX043098R9999	3/33	
2CPX043099R9999	3/33	
2CPX043100R9999	3/33	
2CPX043101R9999	3/33	
2CPX043102R9999	3/33	
2CPX043103R9999	3/33	
2CPX043104R9999	3/33	
2CPX043105R9999	3/33	
2CPX043106R9999	3/33	
2CPX043107R9999	3/33	
2CPX043108R9999	3/33	
2CPX043109R9999	3/33	
2CPX043110R9999	3/33	
2CPX043111R9999	3/33	
2CPX043112R9999	3/33	
2CPX043128R9999	3/34	
2CPX043129R9999	3/34	
2CPX043130R9999	3/34	
2CPX043131R9999	3/34	
2CPX043132R9999	3/34	
2CPX043133R9999	3/34	
2CPX043134R9999	3/34	
2CPX043135R9999	3/34	
2CPX043136R9999	3/34	
2CPX043137R9999	3/34	
2CPX043148R9999	3/28	
2CPX043149R9999	3/28	
2CPX043149R9999	3/28	
2CPX043152R9999	3/29	
2CPX043153R9999	3/29	
2CPX043154R9999	3/29	
2CPX043155R9999	3/29	
2CPX043156R9999	3/30	
2CPX043157R9999	3/30	
2CPX043158R9999	3/30	
2CPX043159R9999	3/30	

Code	Page	Weight KG
2CPX043189R9999	3/36	
2CPX043190R9999	3/36	
2CPX043191R9999	3/36	
2CPX043192R9999	3/36	
2CPX043193R9999	3/36	
2CPX043194R9999	3/36	
2CPX043195R9999	3/37	
2CPX043196R9999	3/37	
2CPX043197R9999	3/37	
2CPX043198R9999	3/37	
2CPX043209R9999	3/40	
2CPX043210R9999	3/40	
2CPX043211R9999	3/40	
2CPX043212R9999	3/40	
2CPX043213R9999	3/40	
2CPX043214R9999	3/40	
2CPX043221R9999	3/40	
2CPX043222R9999	3/40	
2CPX043223R9999	3/40	
2CPX043224R9999	3/40	
2CPX043230R9999	3/39	
2CPX043233R9999	3/31	
2CPX043235R9999	3/35	
2CPX043236R9999	3/35	
2CPX043239R9999	3/26	
2CPX043240R9999	3/27	
2CPX043240R9999	3/27	
2CPX061045R9999	3/46	
2CPX061046R9999	3/46	
2CPX061047R9999	3/46	
2CPX062374R9999	3/46	
2CPX062400R9999	3/46	
AA1560	3/17	
AA1570	3/17	
AA6200	3/17	
AA8004	3/17	
AD1058	3/17	
AG2502	3/54	
AG2504	3/54	
AG2520	3/54	
AG2530	3/54	
AG3520	3/54	
AG3530	3/54	
MA211751	3/19	
MA211759	3/19	
MA221850	3/18	
MA231751	3/20	
MA321850	3/18	
MB116	3/43	
MB117	3/43	
MB118	3/43	
MB119	3/43	

# System pro E power

## 185 mm Busbar Systems

Code	Page	Weight KG	Code	Page	Weight KG	Code	Page	Weight KG	Code	Page	Weight KG
MB120	3/43		MBG415	3/42		MBT136	3/48		MK307	3/45	
MB216	3/43		MBG422	3/42		MBT142	3/50		MK308	3/45	
MB217	3/43		MBG423	3/42		MBT144	3/52		MK309	3/45	
MB218	3/43		MBG424	3/42		MG101	3/42		MK310	3/45	
MB219	3/43		MBG425	3/42		MG101	3/42		MM111	3/44	
MB220	3/43		MBG432	3/42		MG102	3/42		MM112	3/44	
MB316	3/43		MBG433	3/42		MG103	3/42		MM113	3/44	
MB317	3/43		MBG434	3/42		MG104	3/42		MM114	3/44	
MB318	3/43		MBG435	3/42		MG105	3/42		MM115	3/44	
MB319	3/43		MBJ24458	3/21		MG201	3/42		MM211	3/44	
MB320	3/43		MBJ25406	3/22		MG201	3/42		MM212	3/44	
MBA211751	3/19		MBJ25407	3/22		MG202	3/42		MM213	3/44	
MBA211759	3/19		MBJ25408	3/22		MG203	3/42		MM214	3/44	
MBA221850	3/18		MBJ34708	3/21		MG204	3/42		MM215	3/44	
MBA231751	3/20		MBJ35656	3/22		MG205	3/42		MM311	3/44	
MBA321850	3/18		MBJ35657	3/22		MG301	3/42		MM312	3/44	
MBB116	3/43		MBJ35658	3/22		MG301	3/42		MM313	3/44	
MBB117	3/43		MBK106	3/45		MG302	3/42		MM314	3/44	
MBB118	3/43		MBK107	3/45		MG303	3/42		MM315	3/44	
MBB119	3/43		MBK108	3/45		MG304	3/42		MNH23	3/32	
MBB120	3/43		MBK109	3/45		MG305	3/42		MNH24	3/32	
MBB216	3/43		MBK110	3/45		MG412	3/42		MNH33	3/32	
MBB217	3/43		MBK206	3/45		MG413	3/42		MNH34	3/32	
MBB218	3/43		MBK207	3/45		MG414	3/42		MR102	3/46	
MBB219	3/43		MBK208	3/45		MG415	3/42		MR102B	3/46	
MBB220	3/43		MBK209	3/45		MG422	3/42		MR202	3/46	
MBB316	3/43		MBK210	3/45		MG423	3/42		MR202B	3/46	
MBB317	3/43		MBK306	3/45		MG424	3/42		MR302	3/46	
MBB318	3/43		MBK307	3/45		MG425	3/42		MR302B	3/46	
MBB319	3/43		MBK308	3/45		MG432	3/42		MT135	3/48	
MBB320	3/43		MBK309	3/45		MG433	3/42		MT135B	3/48	
MBG101	3/42		MBK310	3/45		MG434	3/42		MT136	3/48	
MBG101	3/42		MBM111	3/44		MG435	3/42		MT136B	3/48	
MBG102	3/42		MBM112	3/44		MJ24458	3/21		MT142	3/50	
MBG103	3/42		MBM113	3/44		MJ25406	3/22		MT142B	3/50	
MBG104	3/42		MBM114	3/44		MJ25407	3/22		MT144	3/52	
MBG105	3/42		MBM115	3/44		MJ25408	3/22		MT144B	3/52	
MBG201	3/42		MBM211	3/44		MJ34708	3/21		PBCM0004	3/17	
MBG201	3/42		MBM212	3/44		MJ35656	3/22		PBRB0004	3/13	
MBG202	3/42		MBM213	3/44		MJ35657	3/22		PBWF1036	3/13	
MBG203	3/42		MBM214	3/44		MJ35658	3/22		PBWF1056	3/13	
MBG204	3/42		MBM215	3/44		MK106	3/45		PBWF1057	3/13	
MBG205	3/42		MBM311	3/44		MK107	3/45		PBWF1236	3/13	
MBG301	3/42		MBM312	3/44		MK108	3/45		PBWF1256	3/13	
MBG301	3/42		MBM313	3/44		MK109	3/45		PBWF1257	3/13	
MBG302	3/42		MBM314	3/44		MK110	3/45		PBWF3056	3/13	
MBG303	3/42		MBM315	3/44		MK206	3/45		PBWF5031	3/13	
MBG304	3/42		MBNH23	3/32		MK207	3/45		PBWF5050	3/13	
MBG305	3/42		MBNH24	3/32		MK208	3/45		PBWF5051	3/13	
MBG412	3/42		MBNH33	3/32		MK209	3/45		PBWF5057	3/13	
MBG413	3/42		MBNH34	3/32		MK210	3/45		PBWF7536	3/13	
MBG414	3/42		MBT135	3/48		MK306	3/45		PBWF7556	3/13	

Code	Page	Weight KG	Code	Page	Weight KG	Code	Page	Weight KG	Code	Page	Weight KG
PBWF7557	3/13		PDNG8506	3/16		PPFM1250	3/11		PPMC3593	3/24	
PBWP1030	3/13		PHLS0011	3/17		PPFV1800	3/16		PPMC3593	3/25	
PBWP1050	3/13		PHLS0012	3/17		PPFV2100	3/16		PPMC4119	3/33	
PBWP1230	3/13		PHLS0013	3/17		PPHC1020	3/23		PPMC4493	3/25	
PBWP1250	3/13		PIDH0010	3/17		PPHC1021	3/23		PPMC4593	3/24	
PBWP3050	3/13		PIEH0008	3/17		PPHC1793	3/23		PPMC4593	3/25	
PBWP5050	3/13		PIFH0020	3/17		PPHC2119	3/33		PPMC5119	3/33	
PBWP7530	3/13		PIRH0405	3/17		PPHC2239	3/33		PPMC5493	3/25	
PBWP7550	3/13		PIRH0455	3/17		PPHC2493	3/25		PPMC5593	3/24	
PCFM0300	3/10		PIRH1242	3/17		PPHC2593	3/24		PPMC5593	3/25	
PCFM0500	3/10		PIRH2432	3/17		PPHC2593	3/25		PPMC6020	3/31	
PCFM0500	3/10		PISH0007	3/17		PPHC3039	3/34		PPMC6021	3/31	
PCFM0750	3/10		PITH0064	3/17		PPHC3119	3/33		PPMH2024	3/27	
PCFM1000	3/10		PMAS7550	3/20		PPHC3493	3/25		PPMN1020	3/33	
PCFM1250	3/10		PMBA7550	3/20		PPHC3593	3/24		PPMN5010	3/33	
PCPA0004	3/11		PMBJ5409	3/22		PPHC3593	3/25		PPMN6012	3/33	
PCTG1810	3/16		PMBJ5659	3/22		PPHC4039	3/34		PPMN8016	3/33	
PCTG1812	3/16		PMJS5409	3/22		PPHC4119	3/33		PPNH5043	3/32	
PCTG1850	3/16		PMJS5659	3/22		PPHC4493	3/25		PPNH5053	3/32	
PCTG1875	3/16		PNNC2129	3/36		PPHC4593	3/24		PPNH5143	3/32	
PCTG2110	3/16		PNNC2149	3/36		PPHC4593	3/25		PPNH5153	3/32	
PCTG2112	3/16		PNVC2129	3/36		PPHC5119	3/33		PPRB1826	3/15	
PCTG2150	3/16		PNVC2149	3/36		PPHC5493	3/25		PPRB2126	3/15	
PCTG2175	3/16		PPAC1220	3/32		PPHC5593	3/24		PPSH2250	3/40	
PDFC0500	3/17		PPAC6020	3/31		PPHC5593	3/25		PPSH2251	3/40	
PDLB1126	3/15		PPAC6021	3/31		PPHN1020	3/33		PPTH5050	3/40	
PDLB1126	3/15		PPAG2503	3/54		PPHN5010	3/33		PPTH5051	3/40	
PDLB8126	3/15		PPAM0100	3/10		PPHN6012	3/33		PPVA3033	3/28	
PDLB8126	3/15		PPEB1816	3/15		PPHN8016	3/33		PPVA3133	3/28	
PDLG1126	3/16		PPEB1836	3/15		PPIM0100	3/11		PPVC1623	3/29	
PDLG1126	3/16		PPEB1856	3/15		PPLB1826	3/15		PPVH2024	3/27	
PDLG8126	3/16		PPEB1856	3/15		PPLB2126	3/15		PPZX9222	3/55	
PDLG8126	3/16		PPEB1875	3/15		PPMA3033	3/28		PPZX9271	3/21	
PDNB1406	3/15		PPEB2116	3/15		PPMA3133	3/28		PPZX9336	3/55	
PDNB1506	3/15		PPEB2136	3/15		PPMB1020	3/26		PPZX9336	3/55	
PDNB1816	3/15		PPEB2156	3/15		PPMB1120	3/26		PPZX9553	3/56	
PDNB1856	3/15		PPEB2156	3/15		PPMB5010	3/26		PPZX9554	3/56	
PDNB1876	3/15		PPEB2175	3/15		PPMB5110	3/26		PTBB1036	3/11	
PDNB2116	3/15		PPFC1119	3/38		PPMB6015	3/26		PTBB1056	3/11	
PDNB2156	3/15		PPFC1120	3/38		PPMB6112	3/26		PTBB1236	3/11	
PDNB2176	3/15		PPFC1139	3/38		PPMB8016	3/26		PTBB1256	3/11	
PDNB8406	3/15		PPFC2219	3/39		PPMB8116	3/26		PTBB3056	3/11	
PDNB8506	3/15		PPFC2220	3/39		PPMC1220	3/32		PTBB5050	3/11	
PDNG1406	3/16		PPFH0500	3/16		PPMC1623	3/29		PTBB7536	3/11	
PDNG1506	3/16		PPFH0750	3/16		PPMC1793	3/23		PTBB7556	3/11	
PDNG1816	3/16		PPFH1000	3/16		PPMC2119	3/33		PTBT1036	3/12	
PDNG1856	3/16		PPFH1250	3/16		PPMC2239	3/33		PTBT1038	3/12	
PDNG1876	3/16		PPFM1010	3/11		PPMC2493	3/25		PTBT1056	3/12	
PDNG2116	3/16		PPFM1030	3/11		PPMC2593	3/24		PTBT1057	3/12	
PDNG2156	3/16		PPFM1050	3/11		PPMC2593	3/25		PTBT1058	3/12	
PDNG2176	3/16		PPFM1050	3/11		PPMC3119	3/33		PTBT1059	3/12	
PDNG8406	3/16		PPFM1075	3/11		PPMC3493	3/25		PTBT1236	3/12	

# System pro E power

## 185 mm Busbar Systems

Code	Page	Weight KG	Code	Page	Weight KG	Code	Page	Weight KG	Code	Page	Weight KG
PTBT1238	3/12		WRM2101	3/18		ZX1014	3/47		ZXFC138	3/38	
PTBT1256	3/12		WRM281	3/18		ZX1015	3/47		ZXFC216	3/39	
PTBT1257	3/12		WRM3101	3/18		ZX1016	3/47		ZXFC217	3/39	
PTBT1258	3/12		WRM381	3/18		ZX1017	3/47		ZXFC218	3/39	
PTBT1259	3/12		ZA4P10	3/46		ZX1018	3/47		ZXFC226	3/39	
PTBT3056	3/12		ZB27P20	3/56		ZX1019	3/47		ZXFC227	3/39	
PTBT3058	3/12		ZB27P500	3/56		ZX1020	3/47		ZXFC228	3/39	
PTBT5031	3/12		ZB75P20	3/56		ZX1021	3/47		ZXHC21763	3/23	
PTBT5050	3/12		ZB75P500	3/56		ZX1022	3/47		ZXHC21773	3/23	
PTBT5051	3/12		ZE60	3/46		ZX1023	3/47		ZXHC21783	3/23	
PTBT5057	3/12		ZE60P10	3/46		ZX1024	3/47		ZXHC23763	3/24	
PTBT5058	3/12		ZE61	3/46		ZX128	3/51		ZXHC23773	3/24	
PTBT5059	3/12		ZE62	3/46		ZX129	3/53		ZXHC23783	3/24	
PTBT7536	3/12		ZH142	3/17		ZX148	3/49		ZXHC2463	3/25	
PTBT7538	3/12		ZH214	3/49		ZX52	3/57		ZXHC2473	3/25	
PTBT7556	3/12		ZH411	3/49		ZX522	3/57		ZXHC2483	3/25	
PTBT7557	3/12		ZH412	3/49		ZX522P10	3/57		ZXHC2563	3/24	
PTBT7558	3/12		ZH425	3/49		ZX52P20	3/57		ZXHC2563	3/25	
PTBT7559	3/12		ZH426	3/49		ZX550	3/57		ZXHC2573	3/24	
PUPM1800	3/10		ZH428	3/49		ZX551	3/57		ZXHC2573	3/25	
PUPM2100	3/10		ZH431	3/51		ZX555	3/57		ZXHC2583	3/24	
RFGA15	3/14		ZH438	3/51		ZX559	3/57		ZXHC2583	3/25	
RFGA2	3/14		ZH440	3/51		ZX563	3/57		ZXHC3463	3/25	
RFKA15	3/14		ZH441	3/53		ZX563P10	3/57		ZXHC3473	3/25	
RFKA2	3/14		ZH442	3/53		ZX670	3/57		ZXHC3483	3/25	
RFMA15	3/14		ZH447	3/53		ZX671	3/57		ZXHC3563	3/24	
RFMA2	3/14		ZW165	3/41		ZX921P10	3/55		ZXHC3563	3/25	
RZ1P4	3/17		ZW165P10	3/41		ZX932P10	3/55		ZXHC3573	3/24	
TZ101	3/14		ZW166	3/41		ZX933P10	3/55		ZXHC3573	3/25	
TZ101P10	3/14		ZW166P10	3/41		ZX935P10	3/55		ZXHC3583	3/24	
TZ102	3/14		ZW367	3/41		ZX936	3/55		ZXHC3583	3/25	
TZ102P10	3/14		ZW368	3/41		ZX941	3/55		ZXHC4463	3/25	
TZ103	3/14		ZW369	3/41		ZX942	3/55		ZXHC4473	3/25	
TZ103P10	3/14		ZW370	3/41		ZX951P10	3/56		ZXHC4483	3/25	
TZ104*	3/14		ZW371	3/41		ZX952P10	3/56		ZXHC4563	3/24	
TZ104P10*	3/14		ZW372	3/41		ZX960	3/21		ZXHC4563	3/25	
TZ105	3/14		ZWM165	3/41		ZX961	3/21		ZXHC4573	3/24	
TZ105P10	3/14		ZWM166	3/41		ZX970P8	3/26		ZXHC4573	3/25	
TZ106	3/14		ZWM367	3/41		ZX971	3/21		ZXHC4583	3/24	
TZ106P10	3/14		ZWM368	3/41		ZX980P10	3/56		ZXHC4583	3/25	
TZ107	3/14		ZWM369	3/41		ZXAC21763	3/31		ZXHC5463	3/25	
TZ107P10	3/14		ZWM370	3/41		ZXAC21783	3/31		ZXHC5473	3/25	
TZ110	3/14		ZWM371	3/41		ZXAH2122	3/31		ZXHC5483	3/25	
TZ110P10	3/14		ZWM372	3/41		ZXFC116	3/38		ZXHC5563	3/24	
TZ111	3/14		ZX1001	3/47		ZXFC117	3/38		ZXHC5563	3/25	
TZ111P10	3/14		ZX1002	3/47		ZXFC118	3/38		ZXHC5573	3/24	
TZ112*	3/14		ZX1003	3/47		ZXFC126	3/38		ZXHC5573	3/25	
WR2101	3/18		ZX1004	3/47		ZXFC127	3/38		ZXHC5583	3/24	
WR281	3/18		ZX1005	3/47		ZXFC128	3/38		ZXHC5583	3/25	
WR3101	3/18		ZX1006	3/47		ZXFC136	3/38		ZXM1001	3/47	
WR381	3/18		ZX1013	3/47		ZXFC137	3/38		ZXM1002	3/47	



Code	Page	Weight KG
ZXM1003	3/47	
ZXM1004	3/47	
ZXM1005	3/47	
ZXM1006	3/47	
ZXM1013	3/47	
ZXM1014	3/47	
ZXM1015	3/47	
ZXM1016	3/47	
ZXM1017	3/47	
ZXM1018	3/47	
ZXM1019	3/47	
ZXM1020	3/47	
ZXM1021	3/47	
ZXM1022	3/47	
ZXM1023	3/47	
ZXM1024	3/47	
ZXMAC21763	3/31	
ZXMAC21783	3/31	
ZXMAH2122	3/31	
ZXMHC21763	3/23	
ZXMHC21773	3/23	
ZXMHC21783	3/23	
ZXMHC23763	3/24	
ZXMHC23773	3/24	
ZXMHC23783	3/24	
ZXMHC2463	3/25	
ZXMHC2473	3/25	
ZXMHC2483	3/25	
ZXMHC2563	3/24	
ZXMHC2563	3/25	
ZXMHC2573	3/24	
ZXMHC2573	3/25	
ZXMHC2583	3/24	
ZXMHC2583	3/25	
ZXMHC3463	3/25	
ZXMHC3473	3/25	
ZXMHC3483	3/25	
ZXMHC3563	3/24	
ZXMHC3563	3/25	
ZXMHC3573	3/24	
ZXMHC3573	3/25	
ZXMHC3583	3/24	
ZXMHC3583	3/25	
ZXMHC4463	3/25	
ZXMHC4473	3/25	
ZXMHC4483	3/25	
ZXMHC4563	3/24	
ZXMHC4563	3/25	
ZXMHC4573	3/24	
ZXMHC4573	3/25	
ZXMHC4583	3/24	

Code	Page	Weight KG
ZXMHC4583	3/25	
ZXMHC5463	3/25	
ZXMHC5473	3/25	
ZXMHC5483	3/25	
ZXMHC5563	3/24	
ZXMHC5563	3/25	
ZXMHC5573	3/24	
ZXMHC5573	3/25	
ZXMHC5583	3/24	
ZXMHC5583	3/25	
ZXMNHC216	3/33	
ZXMNHC217	3/33	
ZXMNHC218	3/33	
ZXMNHC236	3/33	
ZXMNHC237	3/33	
ZXMNHC238	3/33	
ZXMNHC316	3/33	
ZXMNHC317	3/33	
ZXMNHC318	3/33	
ZXMNHC416	3/33	
ZXMNHC417	3/33	
ZXMNHC418	3/33	
ZXMNHC516	3/33	
ZXMNHC517	3/33	
ZXMNHC518	3/33	
ZXMNVC2126	3/36	
ZXMNVC2127	3/36	
ZXMNVC2128	3/36	
ZXMNVC2146	3/36	
ZXMNVC2147	3/36	
ZXMNVC2148	3/36	
ZXMNVH4	3/35	
ZXMPHC217	3/34	
ZXMPHC218	3/34	
ZXMPHC237	3/34	
ZXMPHC238	3/34	
ZXMPHC317	3/34	
ZXMPHC318	3/34	
ZXMPHC417	3/34	
ZXMPHC418	3/34	
ZXMPHC517	3/34	
ZXMPHC518	3/34	
ZXMPVC2127	3/37	
ZXMPVC2128	3/37	
ZXMPVC2147	3/37	
ZXMPVC2148	3/37	
ZXMPVH4	3/35	
ZXMSH4	3/40	
ZXMSH6	3/40	
ZXMTH24	3/40	
ZXMTH26	3/40	

Code	Page	Weight KG
ZXMTH34	3/40	
ZXMTH36	3/40	
ZXMTV412	3/40	
ZXMTV414	3/40	
ZXMTV612	3/40	
ZXMTV614	3/40	
ZXMVA333	3/28	
ZXMVA343	3/28	
ZXMVA343	3/28	
ZXMVC1533	3/29	
ZXMVC1543	3/29	
ZXMVC1653	3/29	
ZXMVC1663	3/29	
ZXMVC1763	3/30	
ZXMVC1783	3/30	
ZXMVC3763	3/30	
ZXMVC3783	3/30	
ZXMVH13	3/26	
ZXMVH23	3/27	
ZXMVH23	3/27	
ZXMZC8	3/39	
ZXNHC216	3/33	
ZXNHC217	3/33	
ZXNHC218	3/33	
ZXNHC236	3/33	
ZXNHC237	3/33	
ZXNHC238	3/33	
ZXNHC316	3/33	
ZXNHC317	3/33	
ZXNHC318	3/33	
ZXNHC416	3/33	
ZXNHC417	3/33	
ZXNHC418	3/33	
ZXNHC516	3/33	
ZXNHC517	3/33	
ZXNHC518	3/33	
ZXNVC2126	3/36	
ZXNVC2127	3/36	
ZXNVC2128	3/36	
ZXNVC2146	3/36	
ZXNVC2147	3/36	
ZXNVC2148	3/36	
ZXNVH4	3/35	
ZXPHC217	3/34	
ZXPHC218	3/34	
ZXPHC237	3/34	
ZXPHC238	3/34	
ZXPHC317	3/34	
ZXPHC318	3/34	
ZXPHC417	3/34	
ZXPHC418	3/34	

Code	Page	Weight KG
ZXPHC517	3/34	
ZXPHC518	3/34	
ZXPVC2127	3/37	
ZXPVC2128	3/37	
ZXPVC2147	3/37	
ZXPVC2148	3/37	
ZXPVH4	3/35	
ZXSH4	3/40	
ZXSH6	3/40	
ZXTH24	3/40	
ZXTH26	3/40	
ZXTH34	3/40	
ZXTH36	3/40	
ZXTV412	3/40	
ZXTV414	3/40	
ZXTV612	3/40	
ZXTV614	3/40	
ZXVA333	3/28	
ZXVA343	3/28	
ZXVA343	3/28	
ZXVC1533	3/29	
ZXVC1543	3/29	
ZXVC1653	3/29	
ZXVC1663	3/29	
ZXVC1763	3/30	
ZXVC1783	3/30	
ZXVC3763	3/30	
ZXVC3783	3/30	
ZXVH13	3/26	
ZXVH23	3/27	
ZXVH23	3/27	
ZXZC8	3/39	

# Contacts

**ABB SACE**

**A division of ABB S.p.A.**

**Automation and Distribution Boards**

Via Italia, 58

23846 Garbagnate Monastero (LC) - Italy

Tel: +39 031 3570.111

Fax: +39 031 3570.228

[www.abb.com/lowvoltage](http://www.abb.com/lowvoltage)

The data and illustrations are not binding. We reserve the right to change the contents of this document without prior notice, in the course of technical development of the product.

Copyright 2017 ABB. All rights reserved.

1STC803009D0101 - 08.2017

